

Ford Bronco - MY25

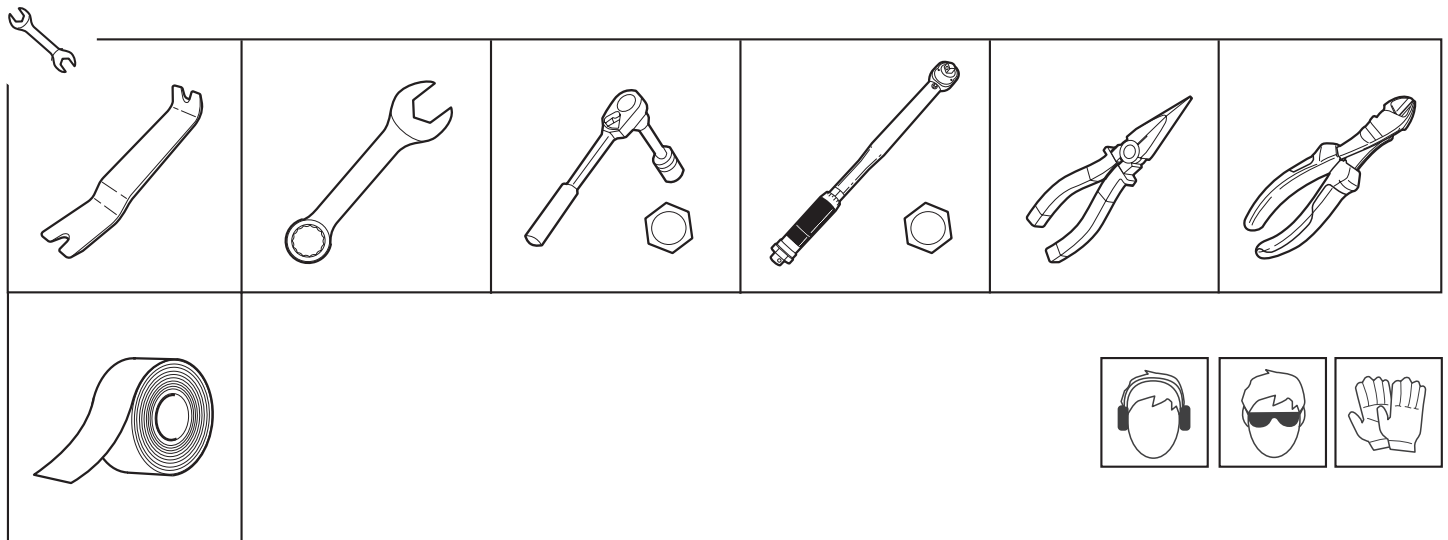
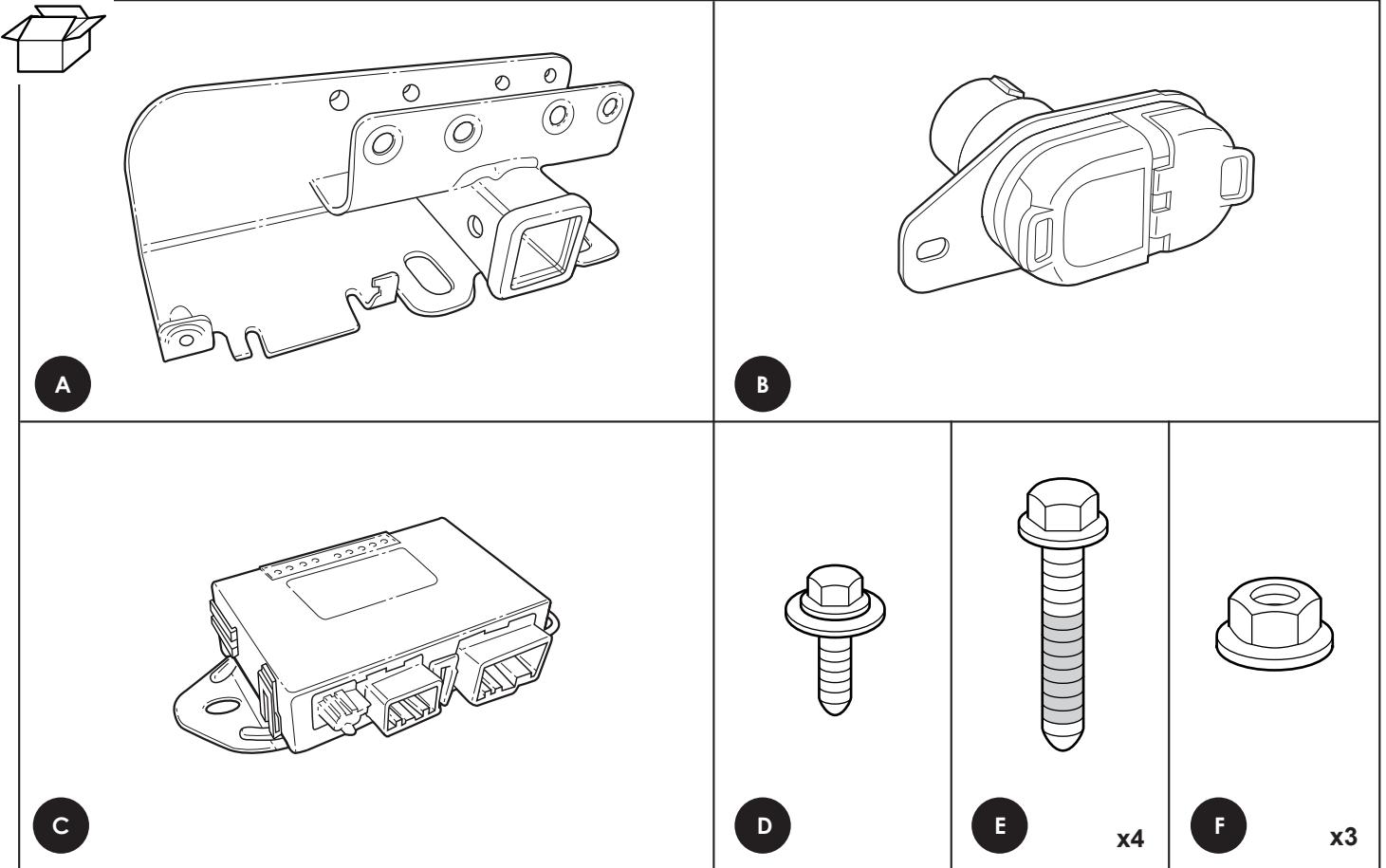
Trailer Tow Kit












Kit de remorquage

Kit de remolque

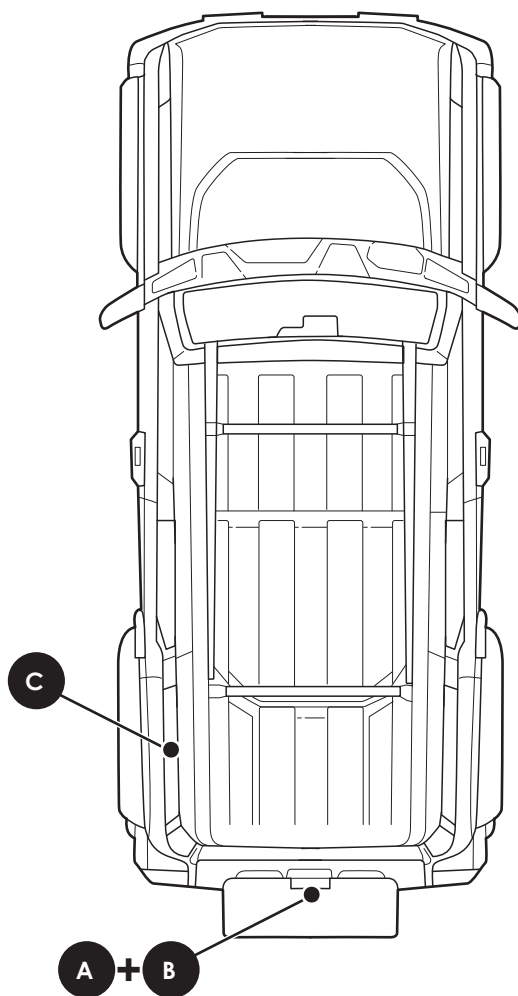
Fitting Time / Durée D'installation / Tiempo De Adaptación: 30 minutes

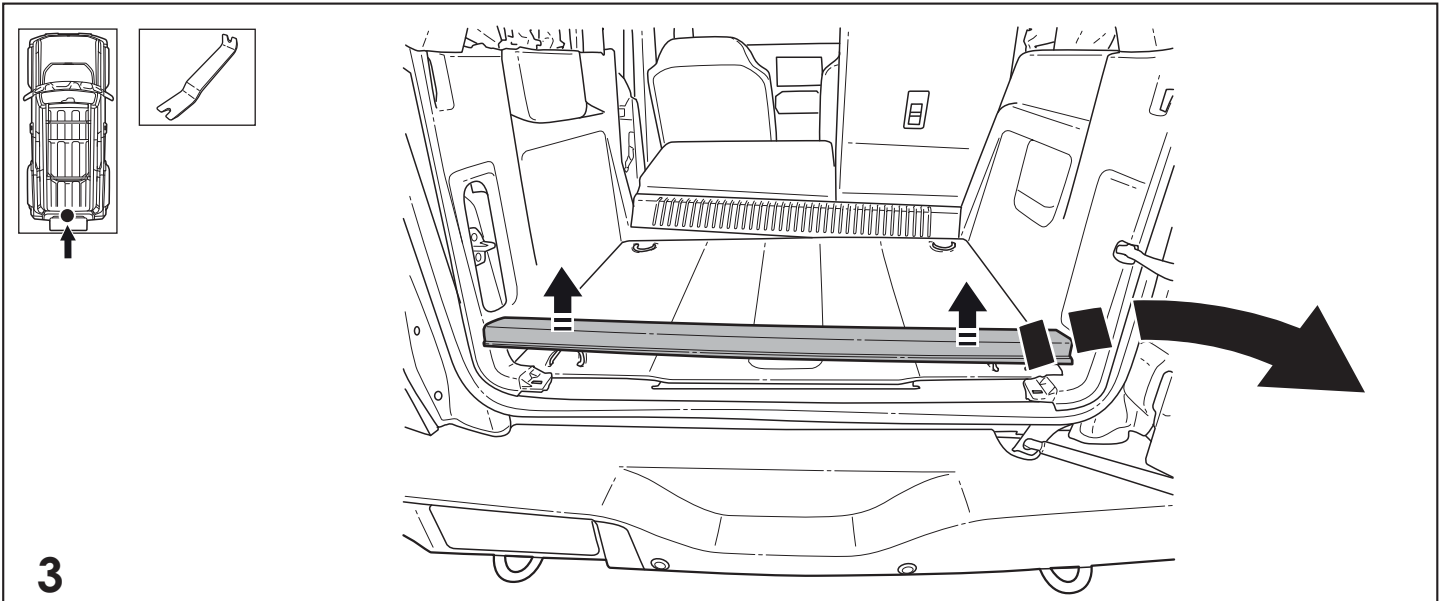
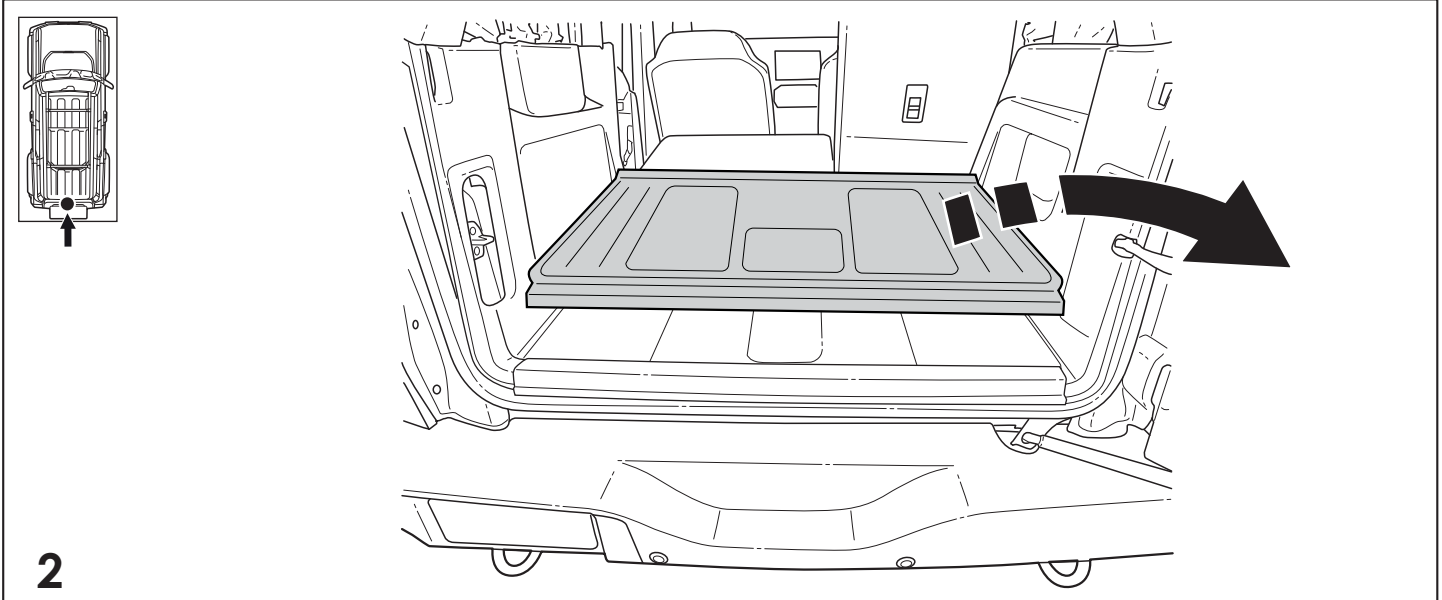
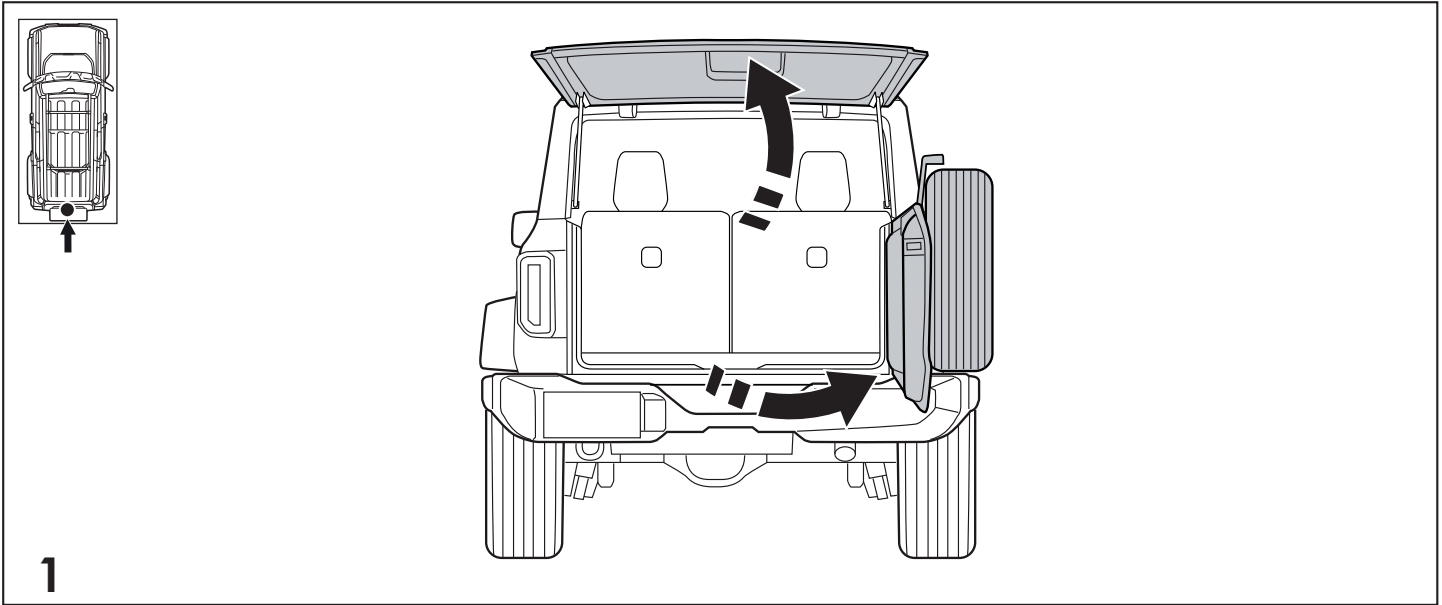


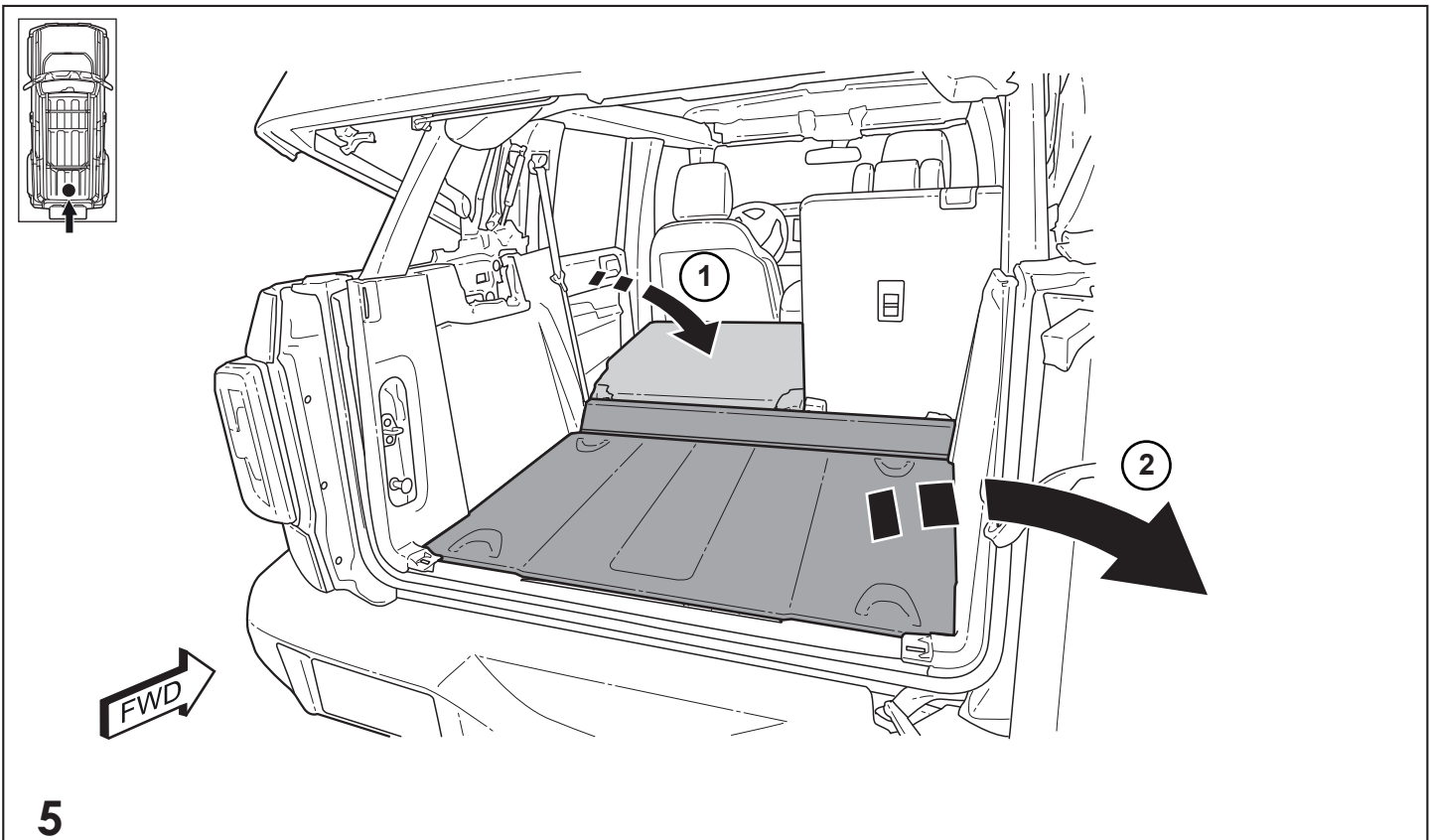
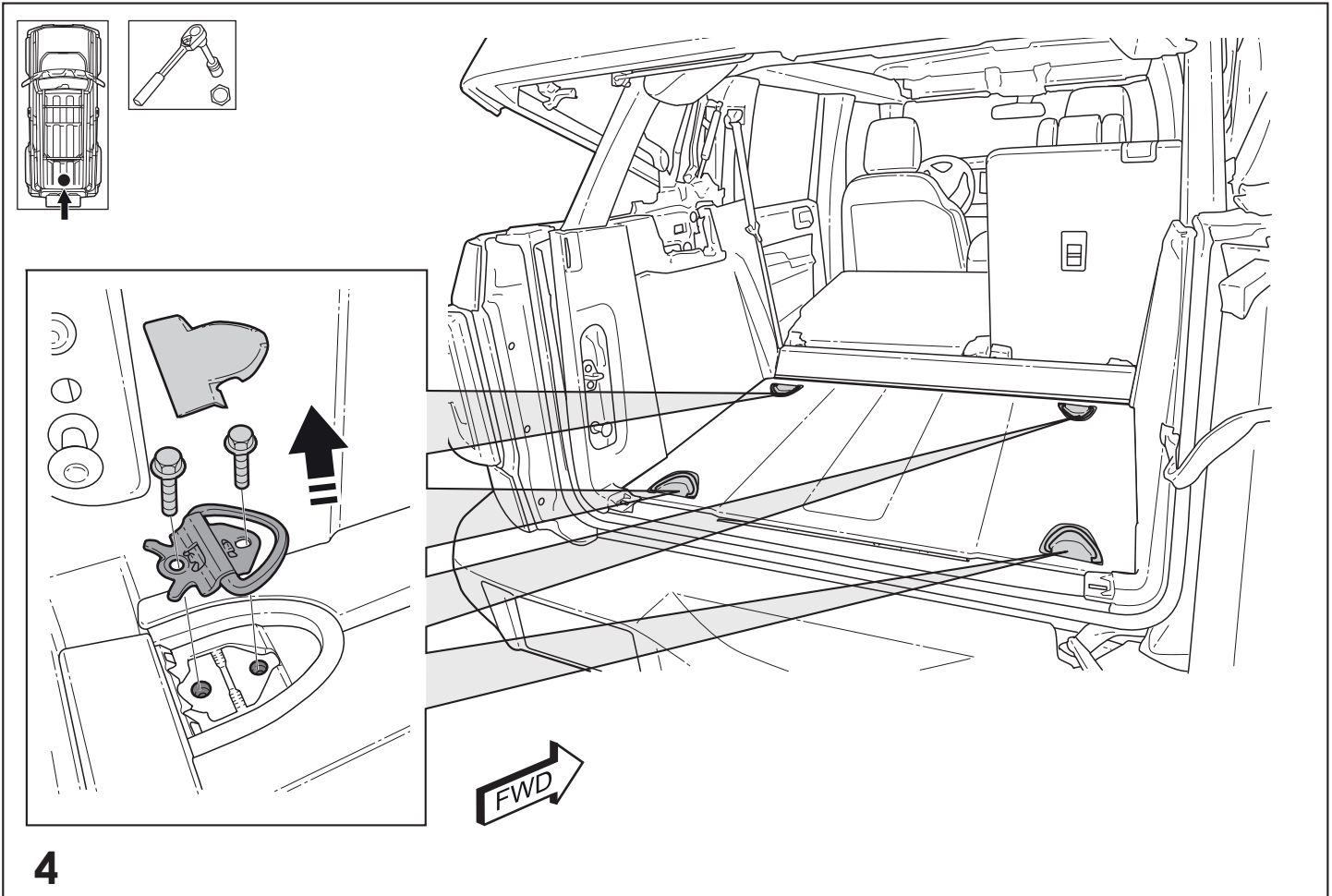


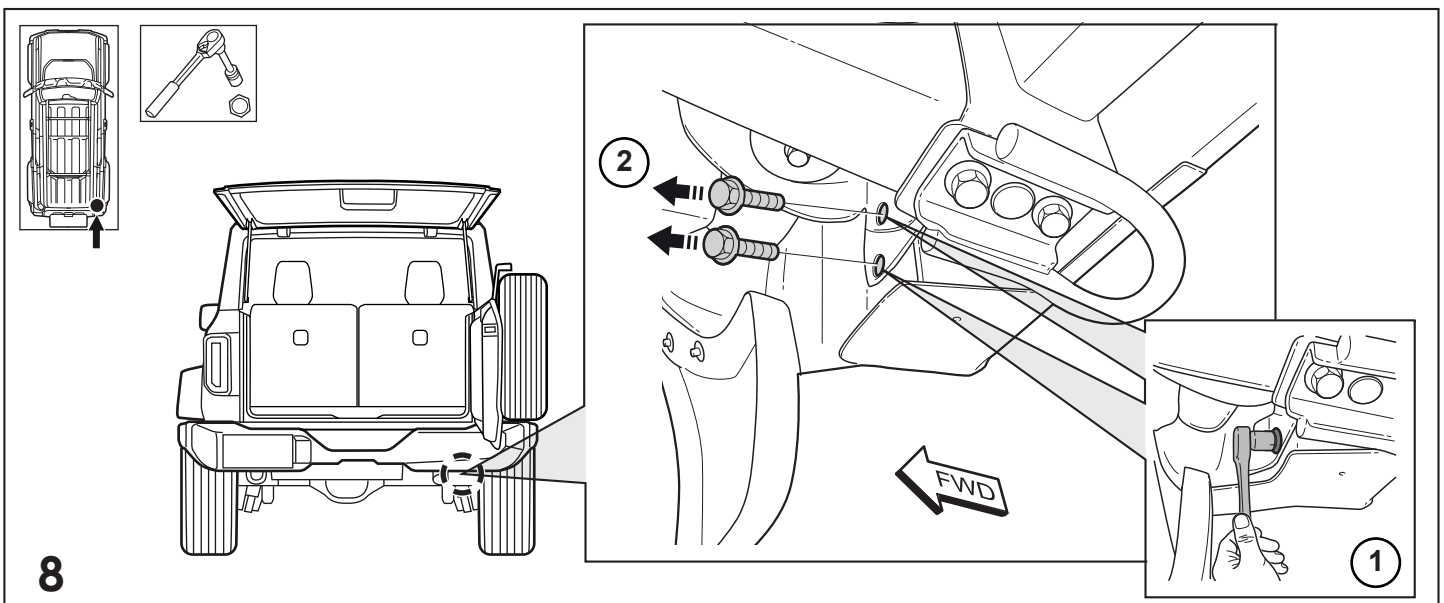
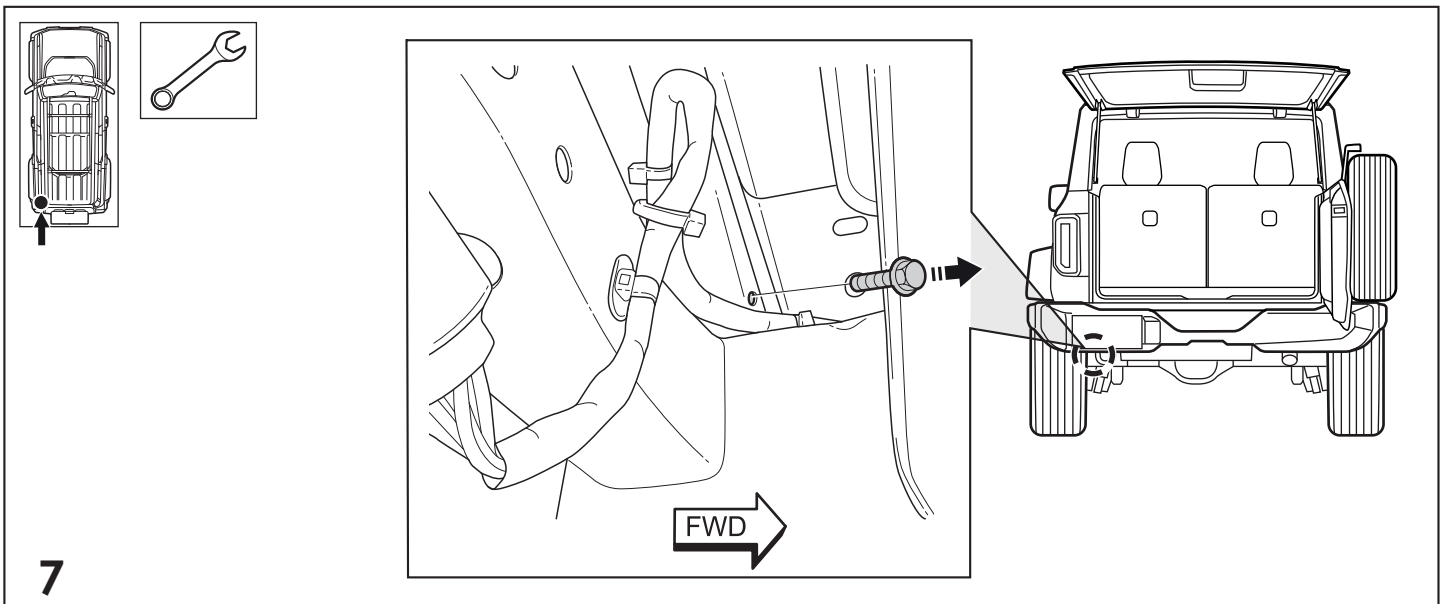
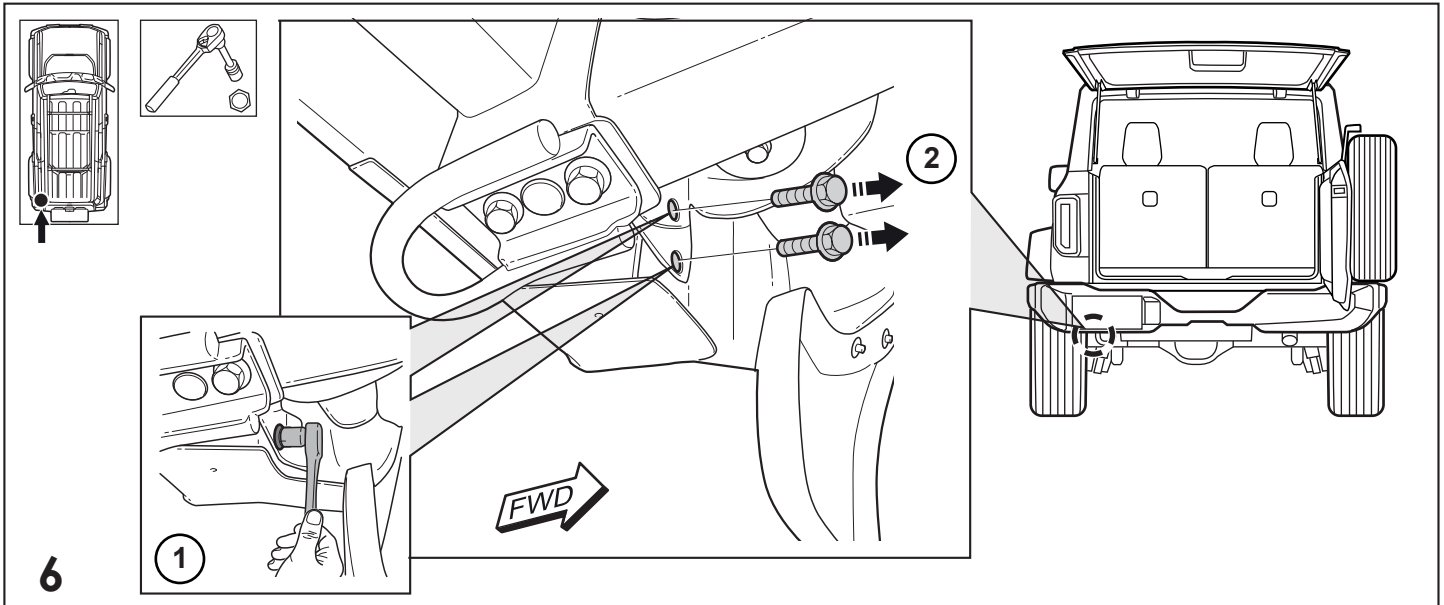
	EN	FR	ES
	Position/Location	Flèche de Position	Flecha de posición
	Movement	Flèche indiquant sens du vouvement	Flecha de movimiento
	Disconnect	Déconnecter	Desconecte
	Connect	Connecter	Conecte
	Left & right side of the vehicle	Côté gauche et droit du véhicule	El lado izquierdo y derecho del vehículo
	Positive connection battery terminal lug	Borne „plus" de la batterie	Conexión positiva de batería
	Ground connection battery terminal lug	Borne „moins" de la batterie	Conexión negativa de batería
	Vehicle Forward Direction	Véhicule à traction avant	Dirección frontal del vehículo
	See workshop manual	Se référer au manuel d'atelier	Consultar el manual del taller
	Look at page nr. ...	Se référer à la page n° ...	Mirar en la página n°...
	Attention / important advice	Attention / mise en garde	Atención / aviso importante
	Vehicle part	Pièce du véhicule	Pieza de vehículo

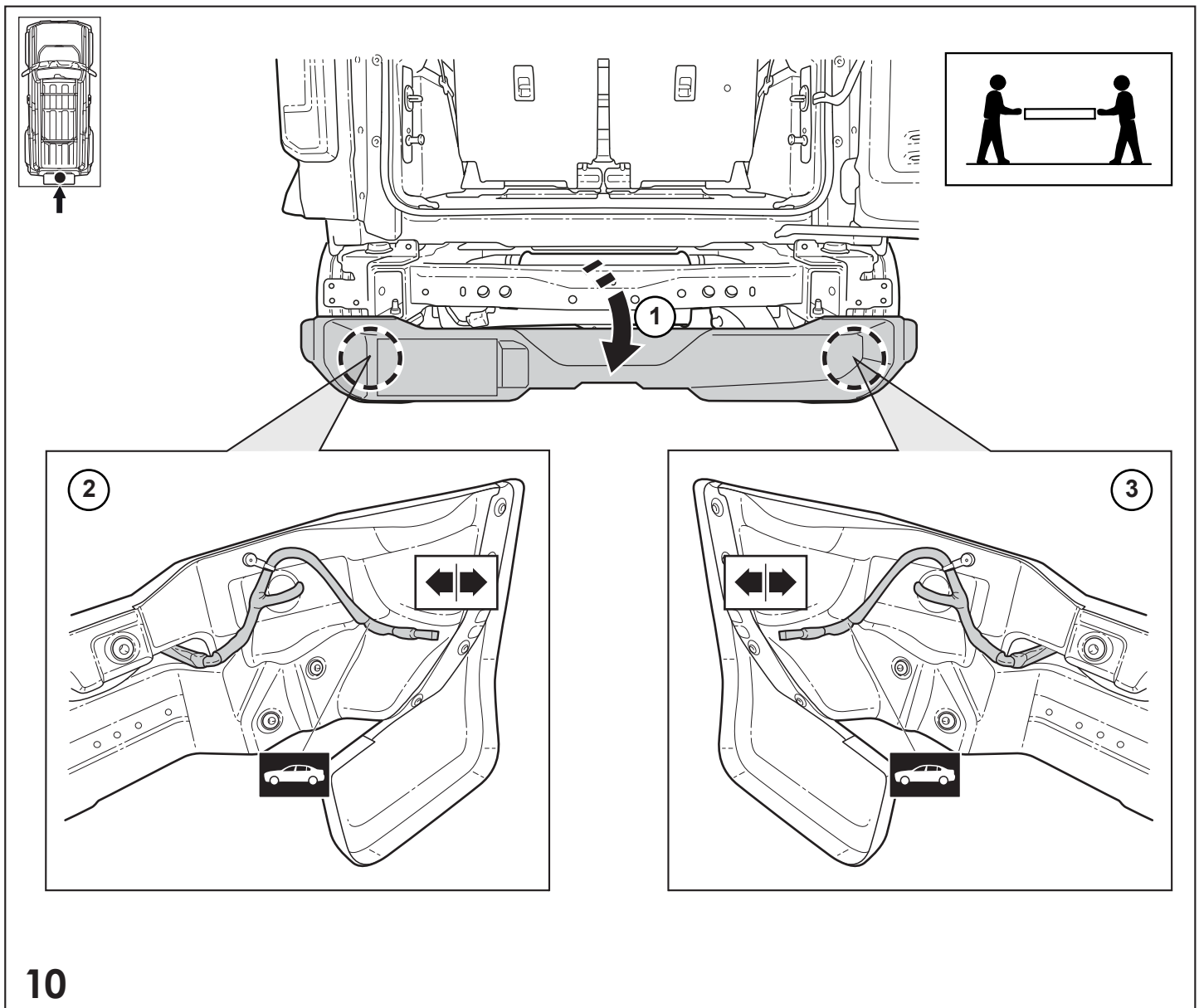
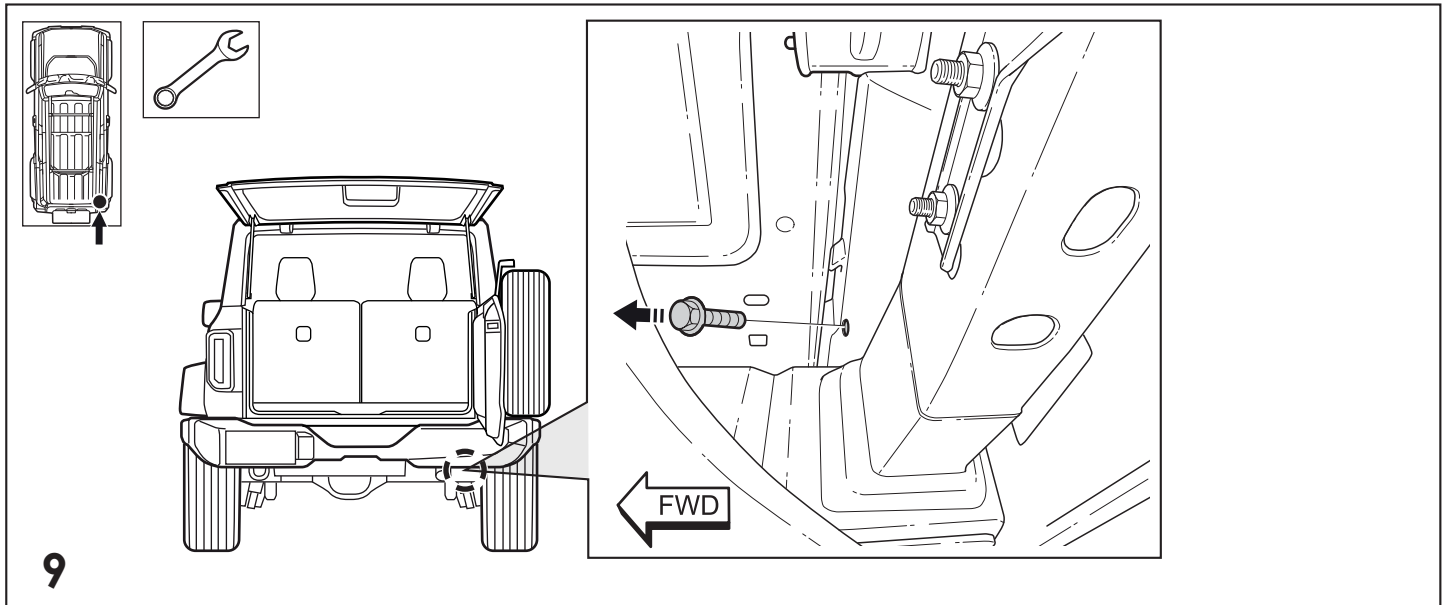
	BK	WH	GY	GN	RD	BU	YE	BN	VT	OG
EN	black	white	grey	green	red	blue	yellow	brown	purple	orange
ES	negro	blanco	gris	verde	rojo	azul	amarillo	marrón	violeta	naranja
FR	noir	blanc	gris	vert	rouge	bleu	jaune	brun	violet	orange

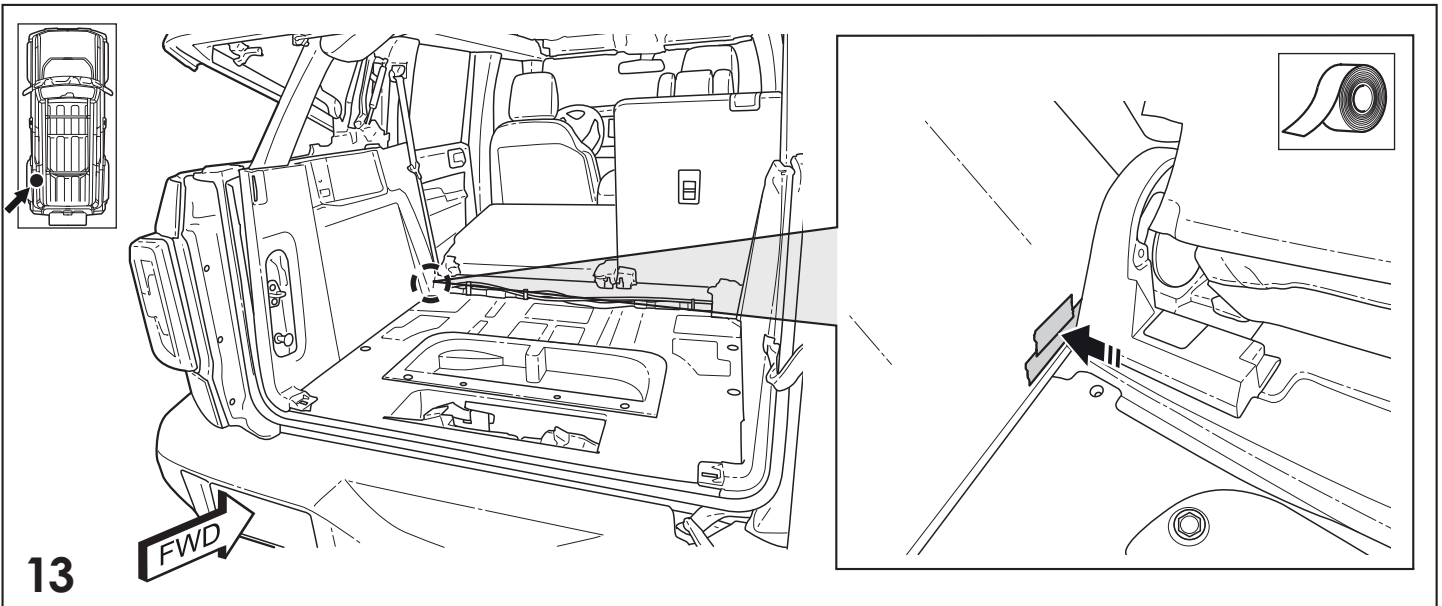
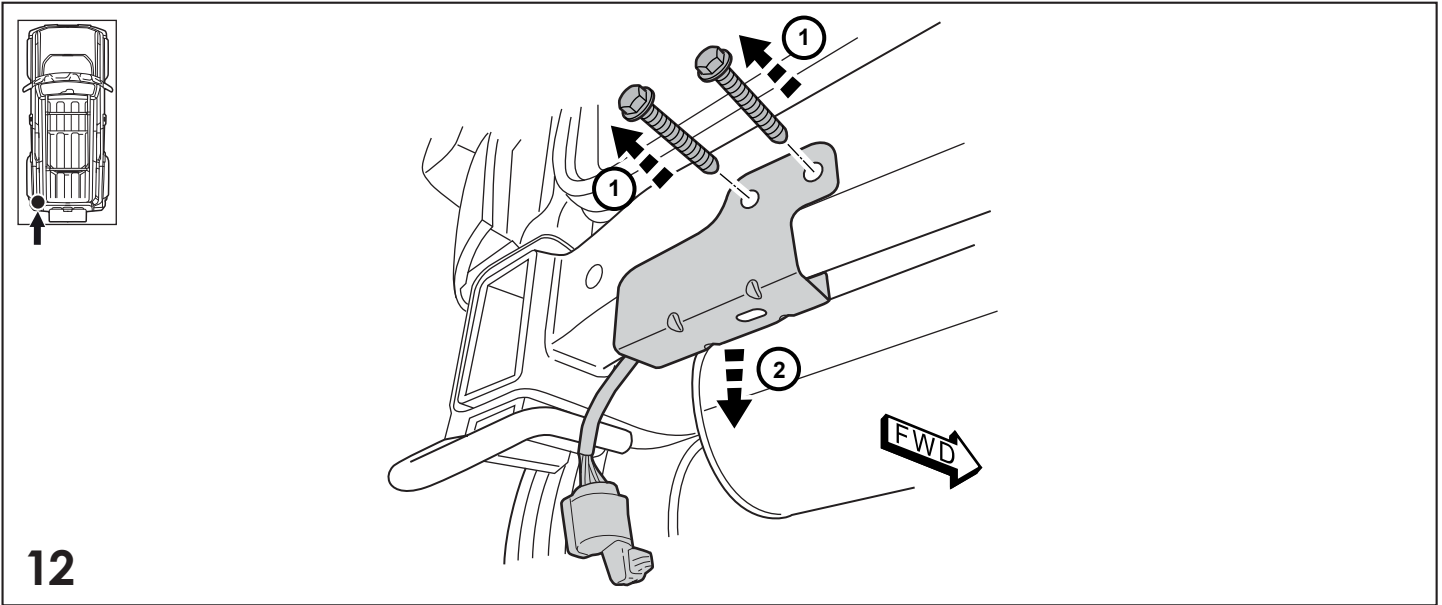
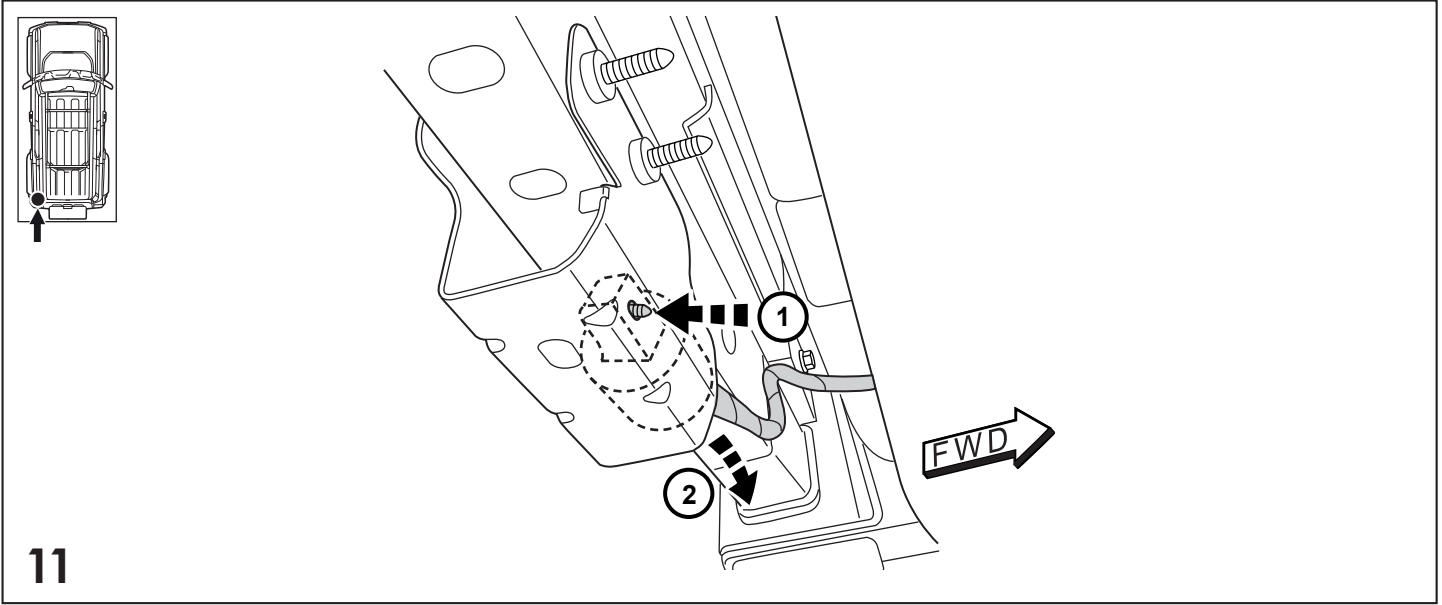


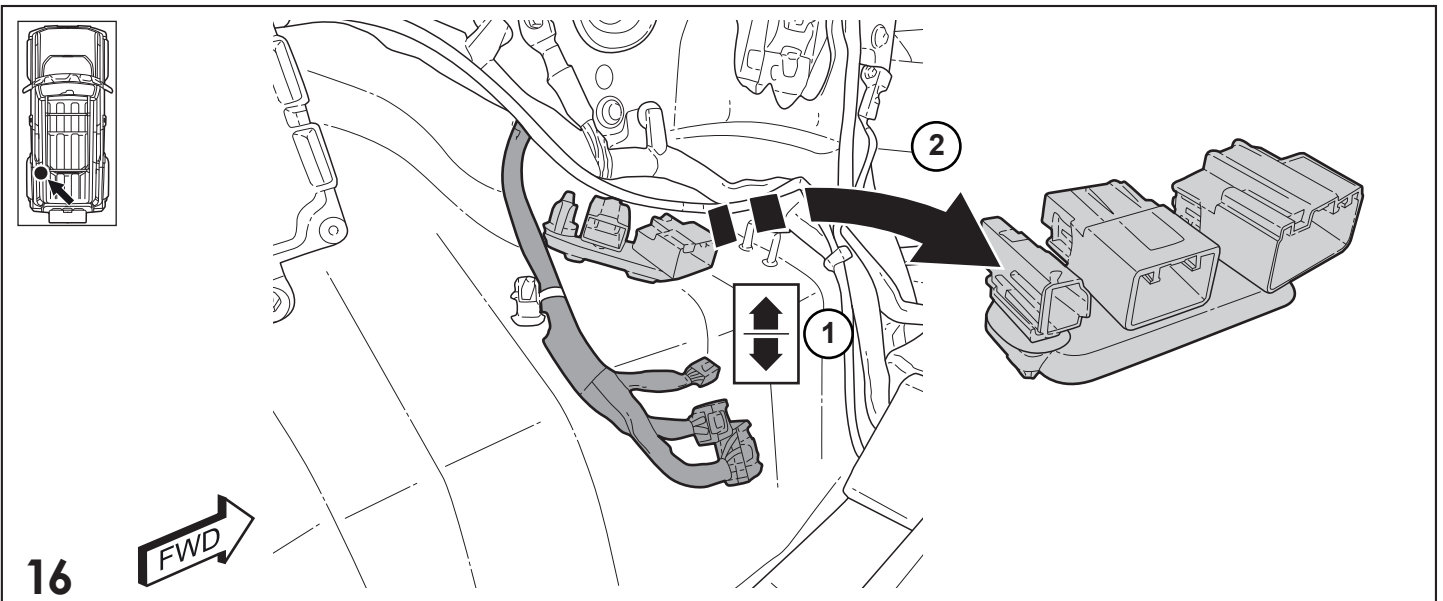
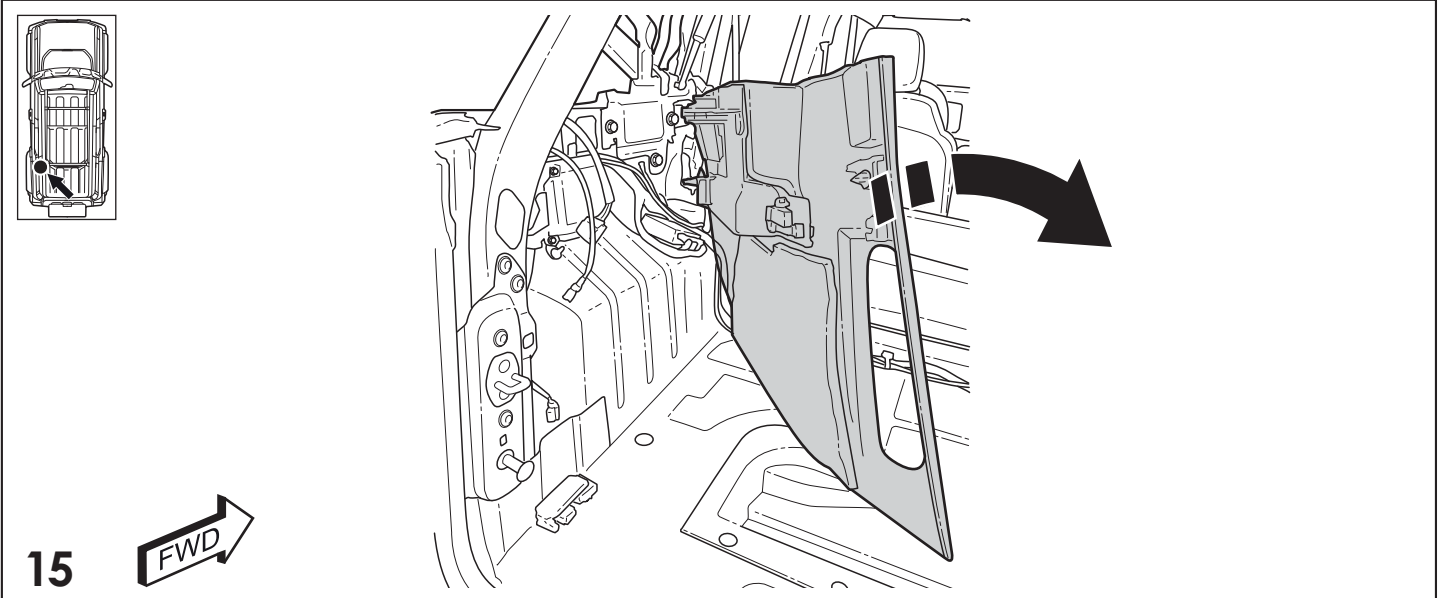
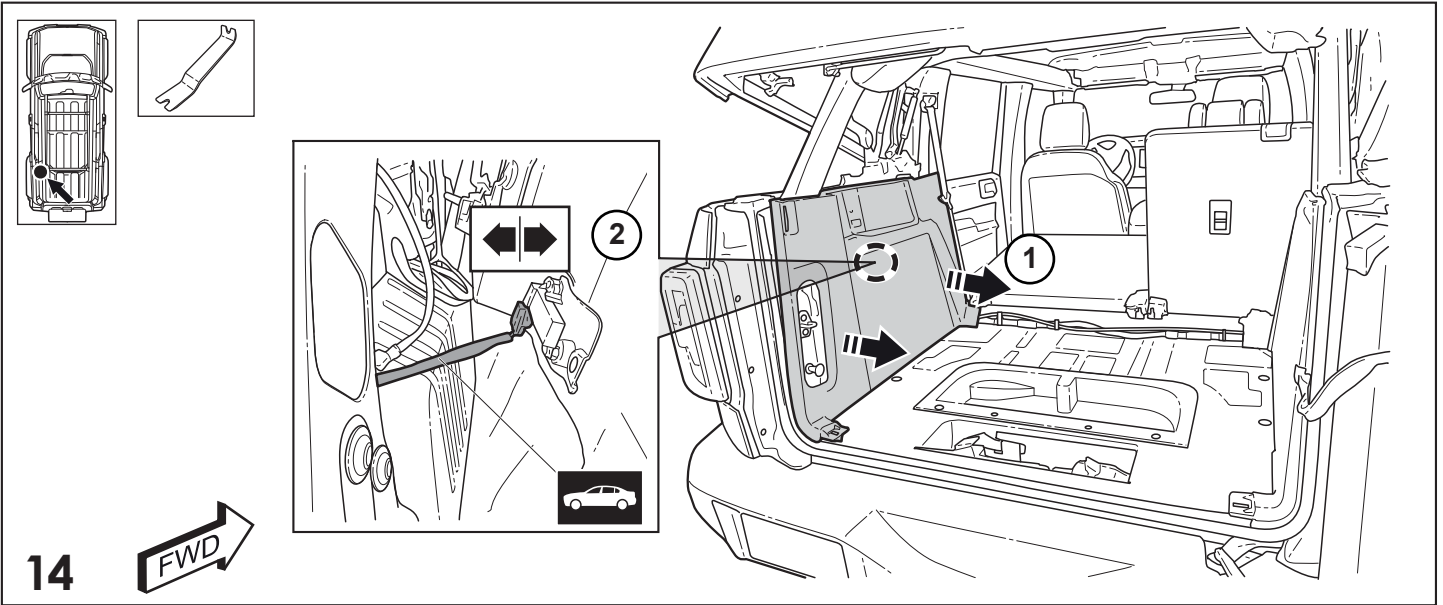


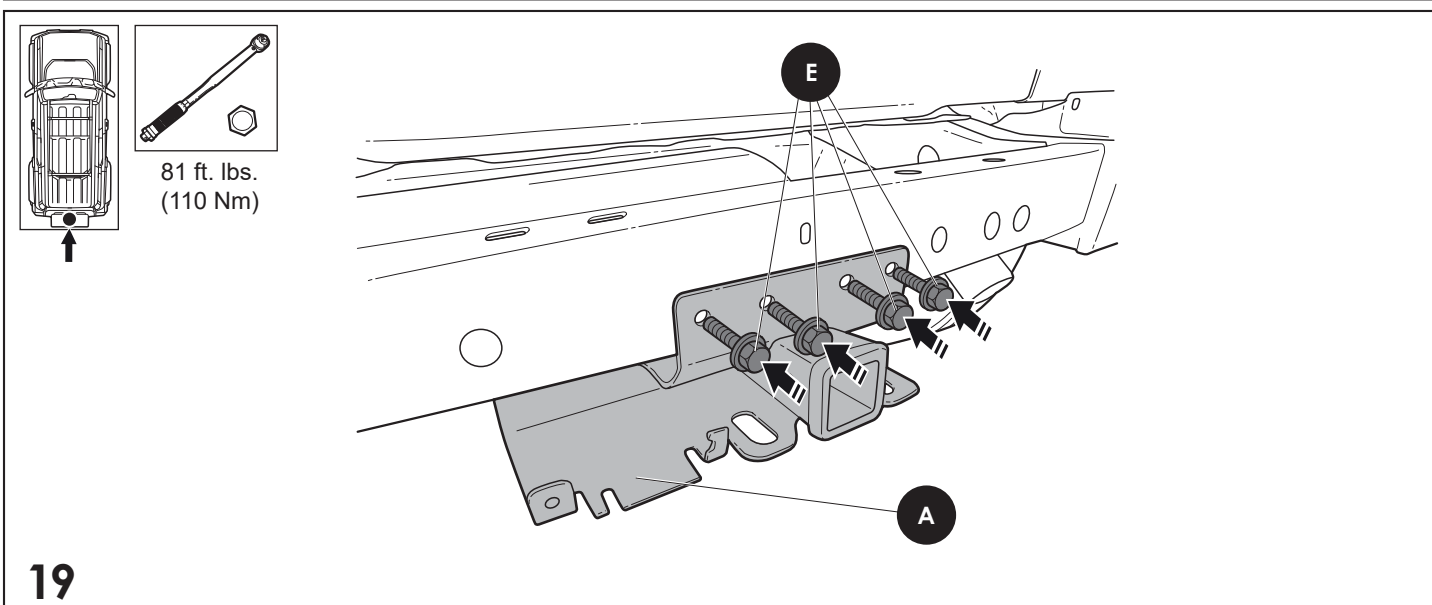
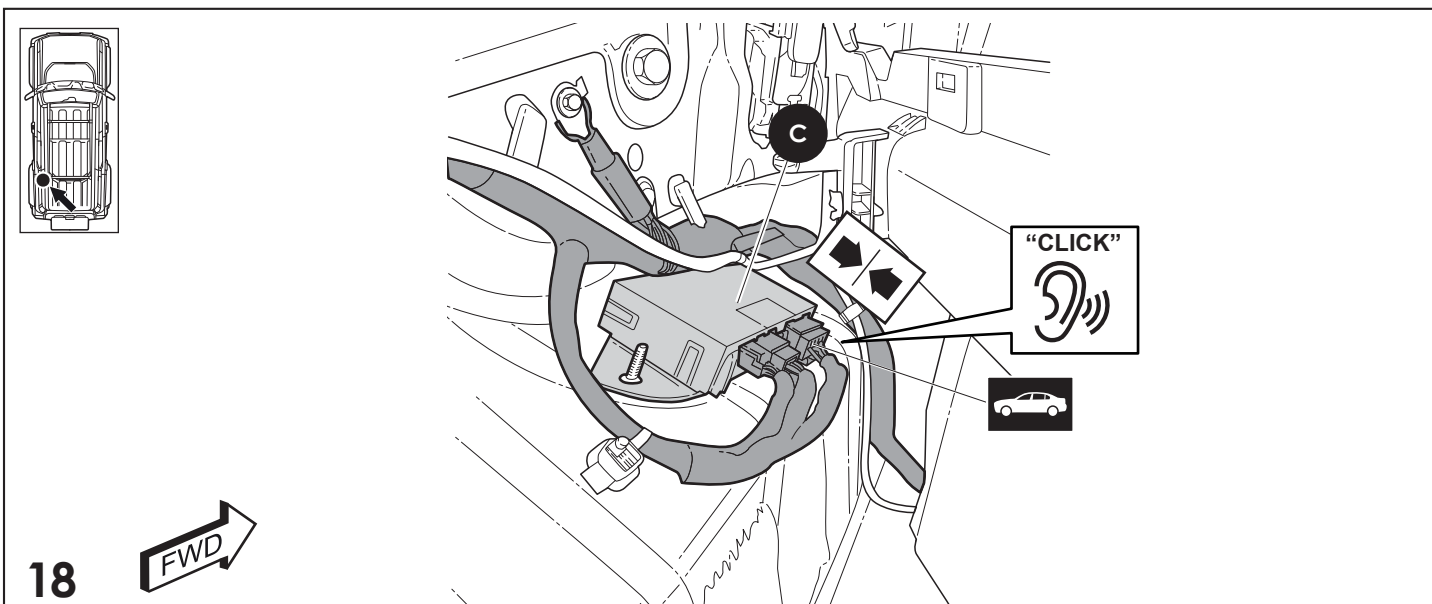
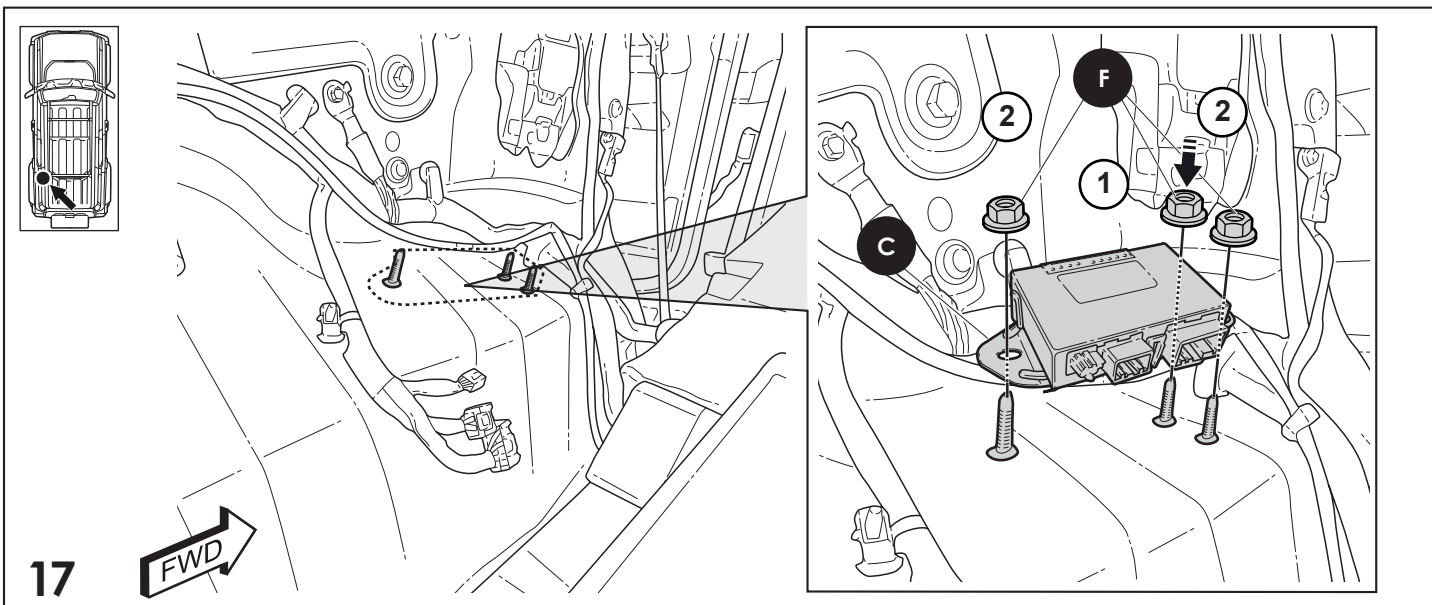


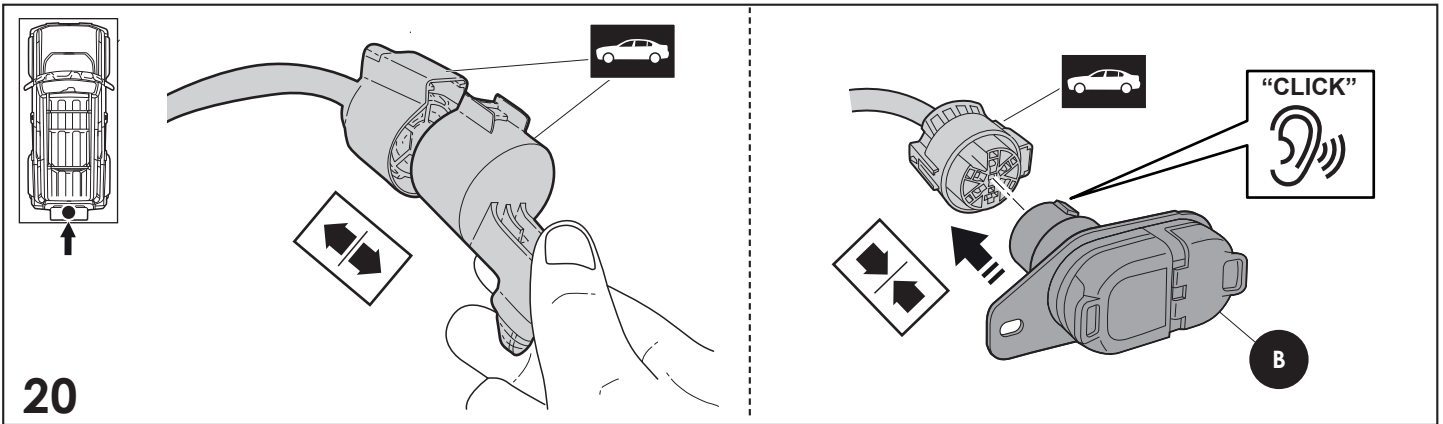




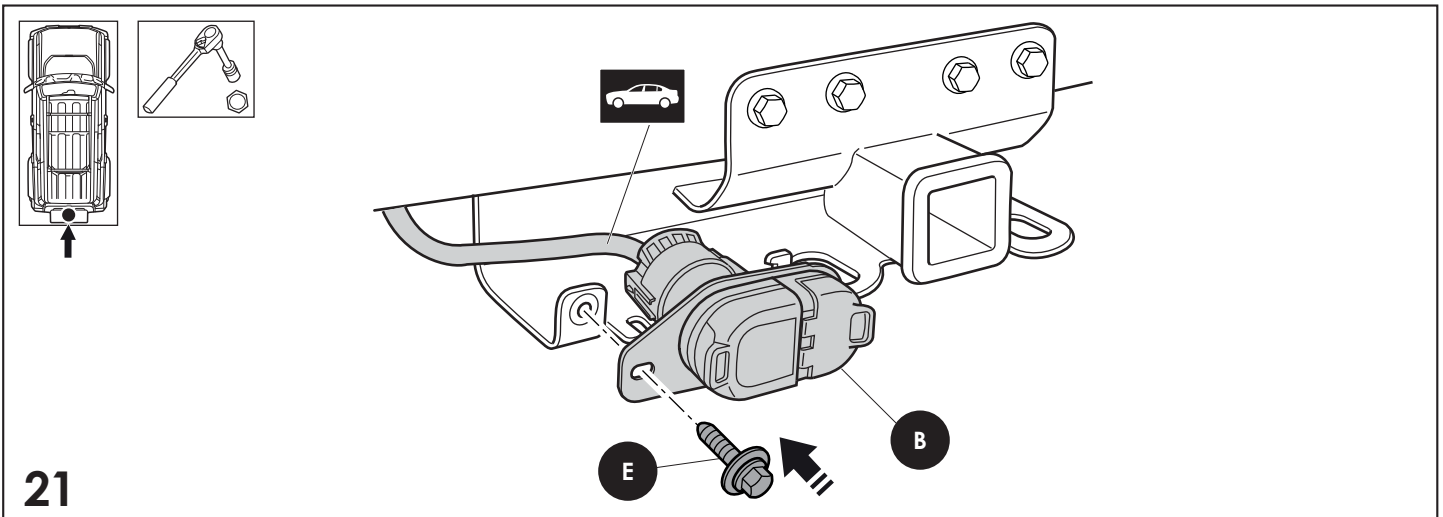











20



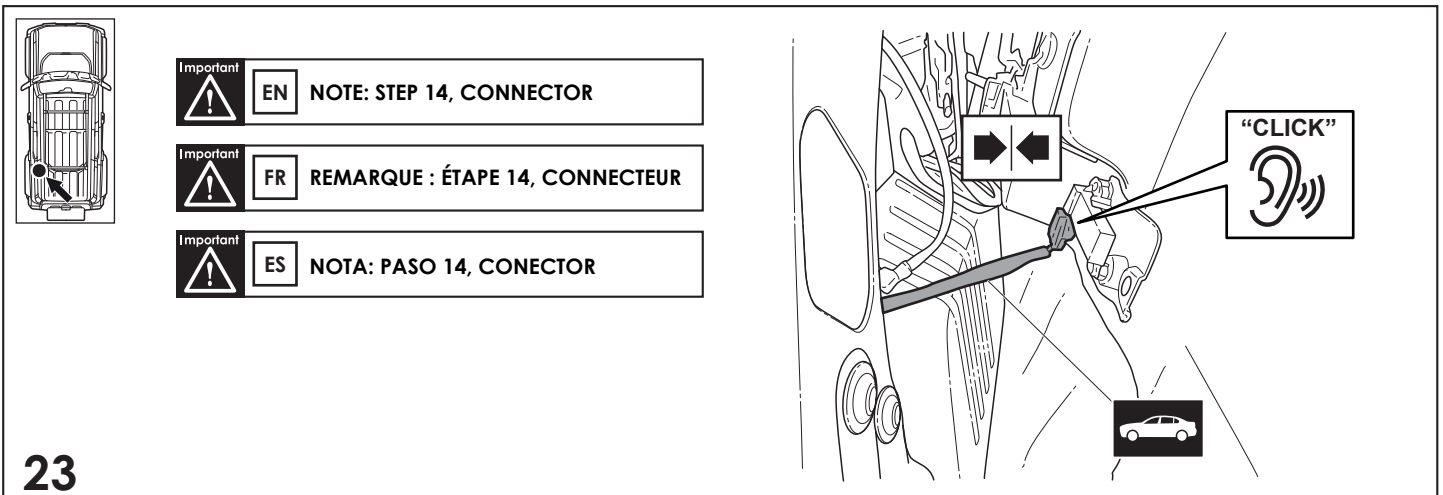
21

Important  **EN** Reverse steps 12 - 14 to reinstall all vehicle components.


Important  **FR** Inversez les étapes 12 à 14 pour réinstaller toutes les pièces du véhicule.


Important  **ES** Invierta los pasos 12 - 14 para reinstalar todos los componentes del vehículo.


22

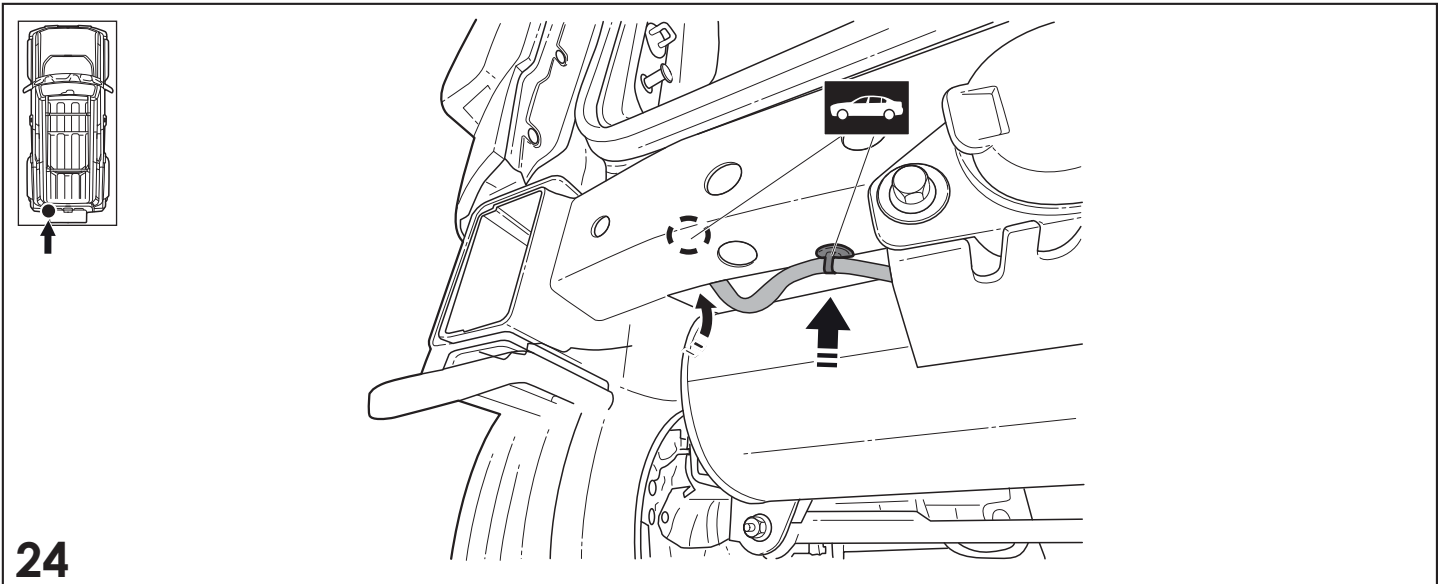


23

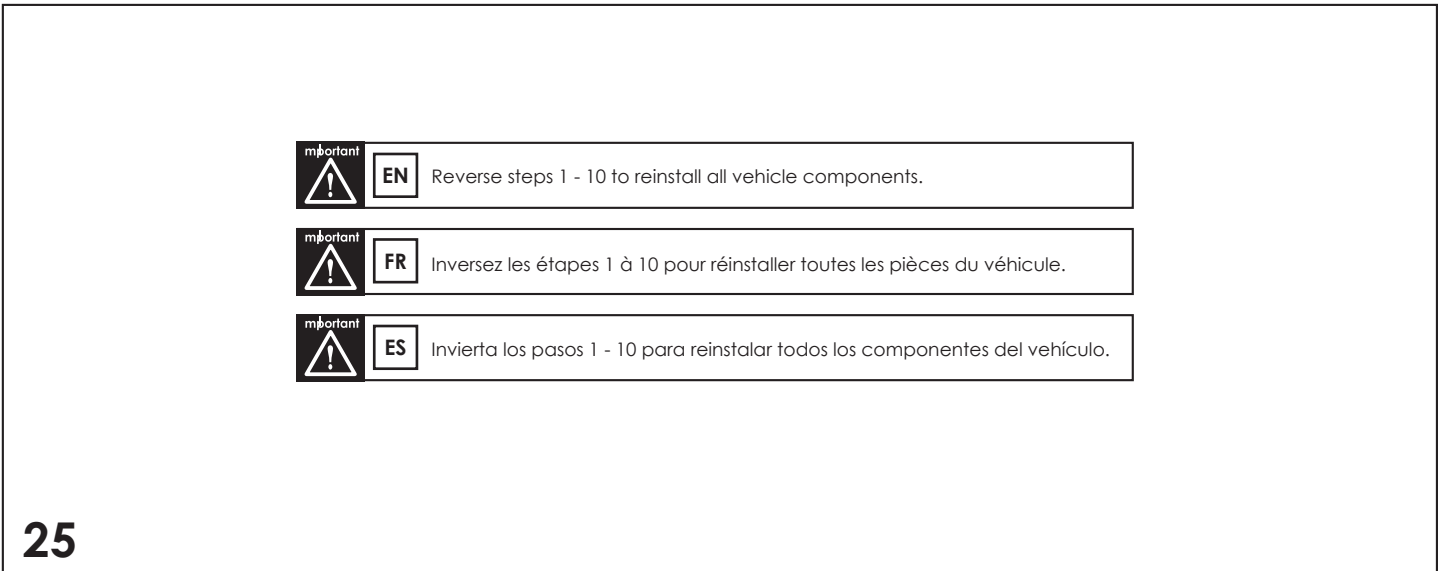
Important  **EN** NOTE: STEP 14, CONNECTOR

Important  **FR** REMARQUE : ÉTAPE 14, CONNECTEUR

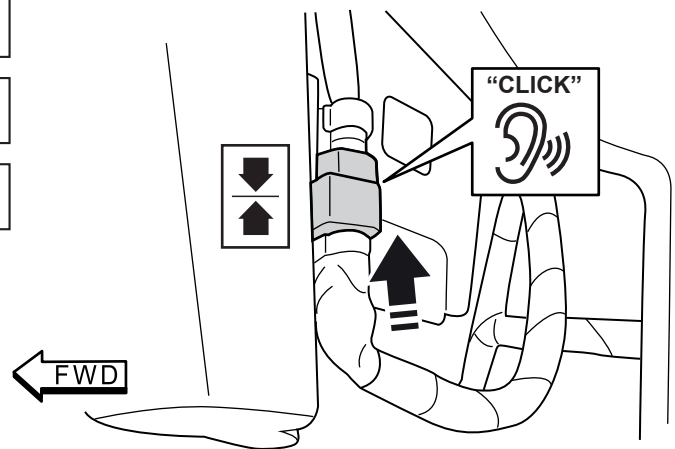
Important  **ES** NOTA: PASO 14, CONECTOR



- Important** **EN** Reverse steps 1 - 10 to reinstall all vehicle components.
- Important** **FR** Inversez les étapes 1 à 10 pour réinstaller toutes les pièces du véhicule.
- Important** **ES** Invierta los pasos 1 - 10 para reinstalar todos los componentes del vehículo.



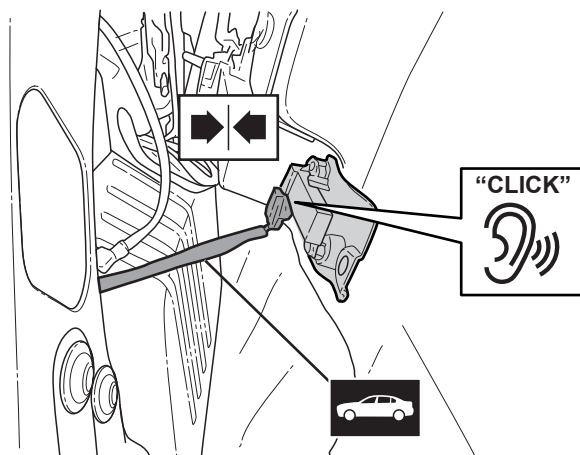
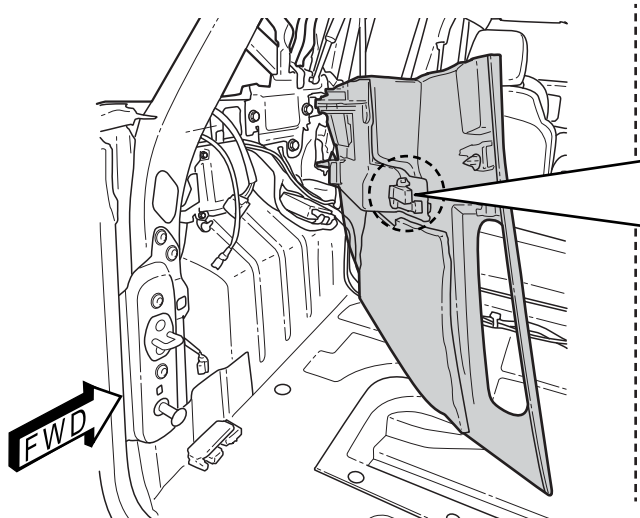
- Important** **EN** NOTE: STEP 10, CONNECTORS
- Important** **FR** REMARQUE : ÉTAPE 10, CONNECTEURS
- Important** **ES** NOTA: PASO 10, CONECTORES



FINAL INSTALLATION CHECKLIST

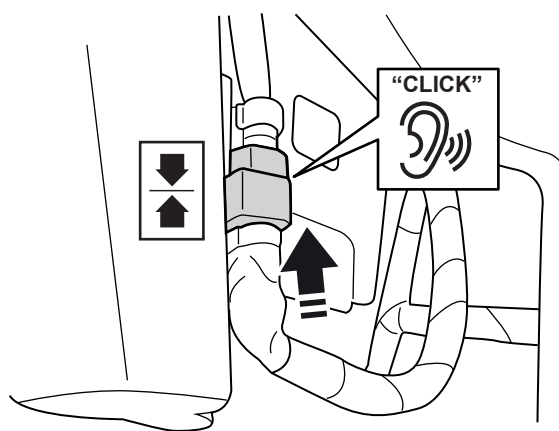
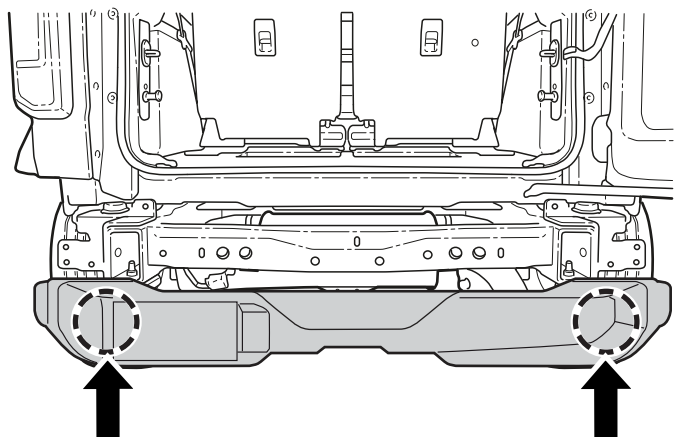
! **IMPORTANT:** Be certain the keyless entry antenna is properly reconnected inside trim panel.

CONFIRM BY CHECKING THE KEYFOB FUNCTIONALITY FOR KEYLESS ENTRY AFTER THE INSTALLATION.



! **IMPORTANT:** Be certain the rear sensors are properly reconnected at the fascia.

CONFIRM BY USING REVERSE ON THE VEHICLE AFTER THE INSTALLATION.

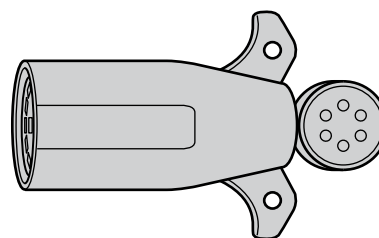


! **IMPORTANT:** Verify that you are using the latest programming procedure steps to update the vehicle.

CONFIRM BY USING A TRAILER TESTER ON THE VEHICLE AFTER THE INSTALLATION.

VERIFY:

- | | |
|-------------------------------------|--|
| <input type="checkbox"/> REVERSE | <input type="checkbox"/> BRAKES |
| <input type="checkbox"/> RIGHT TURN | <input type="checkbox"/> TAIL LIGHTS |
| <input type="checkbox"/> LEFT TURN | <input type="checkbox"/> BRAKE CONTROLLER OUTPUT |
| | <input type="checkbox"/> 12V POWER FEED |





IMPORTANT: Do not attempt an installation within 5 days of the vehicle production date as a failure may occur with towbar configuration.

Be sure that the FDRS tool being used has the latest software version installed.

1 : Search "Towbar Configuration" in the top right search bar using FDRS.

1 : À l'aide du Système de diagnostic et de réparation Ford (FDRS), recherchez « Configuration du crochet d'attelage » dans la barre de recherche en haut à droite.

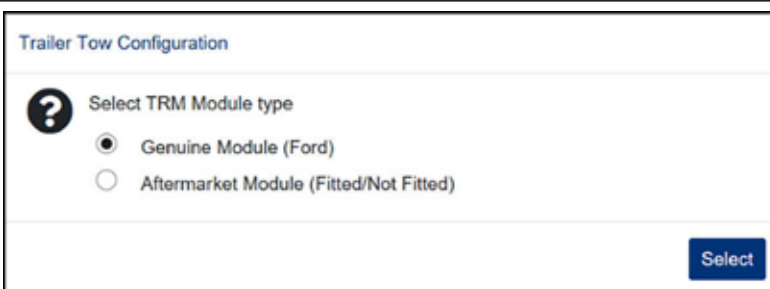
1 : Busque "Configuración de barra de remolque" en la barra de búsqueda superior derecha usando FDRS.



2 : Select "Genuine Module (Ford)."

2 : Sélectionnez « Module d'origine (Ford).»

2 : Seleccione "Módulo original (Ford)".



3 : Click "Yes" on enable/disable toolbar feature.

3 : Cliquez sur « Oui » pour activer/désactiver la fonction de la barre d'outils.

3 : Haga clic en "Sí" en la función de habilitar/deshabilitar la barra de herramientas.



4 : Select "Trailer to programmable feature enable/disable".

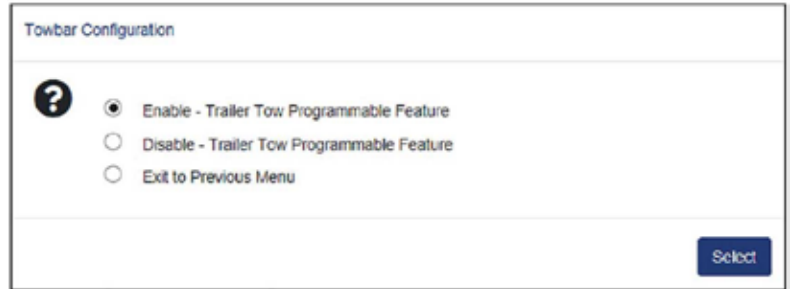
4 : Sélectionnez « Activer/désactiver la fonction programmable de la remorque ».

4 : Seleccione "Remolque para programar la función habilitar/deshabilitar".



(CONTINUED) (SUITE) (CONTINUADO) →

- 5: Click "Yes" for "Are you running this application to enable/disable."
- 5 : Cliquez sur « Oui » pour « Cette application est-elle en cours d'exécution » pour activer/désactiver la fonction.
- 5: Haga clic en "Sí" para la pregunta "¿Está ejecutando esta aplicación para habilitar/deshabilitar?".



Procedure Unsuccessful.

The Genuine Ford TRM option was selected at the start of this application.

If a Genuine Ford TRM is not being fitted to the vehicle, then rerun the application and select the correct TRM option.

If a Genuine Ford TRM is being fitted to the vehicle, then the required TRM data is missing from this vehicle's record.

The TRM data is added to the vehicle record by fitting a TRM to the vehicle and then running the Network Test. If this has been not performed, exit this application, and do that before running this application again.

If the TRM has been fitted and network test run, then the TRM data has failed to be added to the vehicle's record. To add the TRM data to the vehicle record, run the Extended Network Test as follows:

1. Exit this application.
2. Click the envelope icon in the top right of the screen.
3. Select the 'Refresh Vehicle Files' option and then Continue.
4. Read all screen prompts and select OK. When prompted to select a VIN, select the VIN of the vehicle being worked on from the list or read the VIN from the vehicle and then select Go.

Once the Extended Network Test has been completed, the TRM should appear in the list of modules under the Toolbox section. If the TRM is in that list then this application can be run again, but if it is not, please contact the Hotline.



LIMITED WARRANTY

All Ford Part numbers provided by Motherson Lumen North America, Inc. are warranted to be free from defects in materials or workmanship on products properly installed per the installation instructions provided with the product. This warranty covers repair or replacement of any defective product at no charge during the applicable warranty period listed below. Labor for replacement or service of defective product is not paid or reimbursed by Motherson Lumen North America, Inc.

WARRANTY PERIOD		
	USA	OUTSIDE USA
Product which appears on New Vehicle Monroney Label (Window Sticker)	Coverage which matches new vehicle warranty: Ford - 3 years or 36,000 Miles whichever comes first; Lincoln - 4 years or 50,000 miles whichever comes first	Coverage which matches new vehicle warranty: Ford - 3 years or 60,000 kilometers whichever comes first; Lincoln - 4 years or 80,000 kilometers whichever comes first
Part Purchased and installed during or after the original vehicle warranty	Whichever of the following options which provides the greater benefit to the customer: 1) 2 Years / unlimited Miles 2) The remainder of the new vehicle warranty	Whichever of the following options which provides the greater benefit to the customer: 1) 2 Years / unlimited kilometers 2) The remainder of the new vehicle warranty

This limited warranty does not cover any damage, defect or malfunction caused by misuse, abuse, accident, improper installation, modification or improper or lack of maintenance. Incidental and consequential damages are not recoverable under this warranty. This warranty offers you specific legal rights. You may have additional or other rights as which vary from state to state or province to province.

If you experience a warranty issue with this product please visit your Ford Dealer. If the repair is covered by the warranty above and completed by the dealership, labor is also covered by Ford - Ford Warranty and Policy - Section 3.

Please note that Motherson Lumen North America, Inc. has replacement component parts available to assist consumers and dealers to resolve warranty and non-warranty issues as quickly as possible.

Note to Dealer: Ford dealers should contact Motherson Lumen North America, Inc. by phone at 248-289-6100 and ask to speak to the warranty administrator OR contact by email at: customerservice.lumenna@motherson.com