

Ford F-150

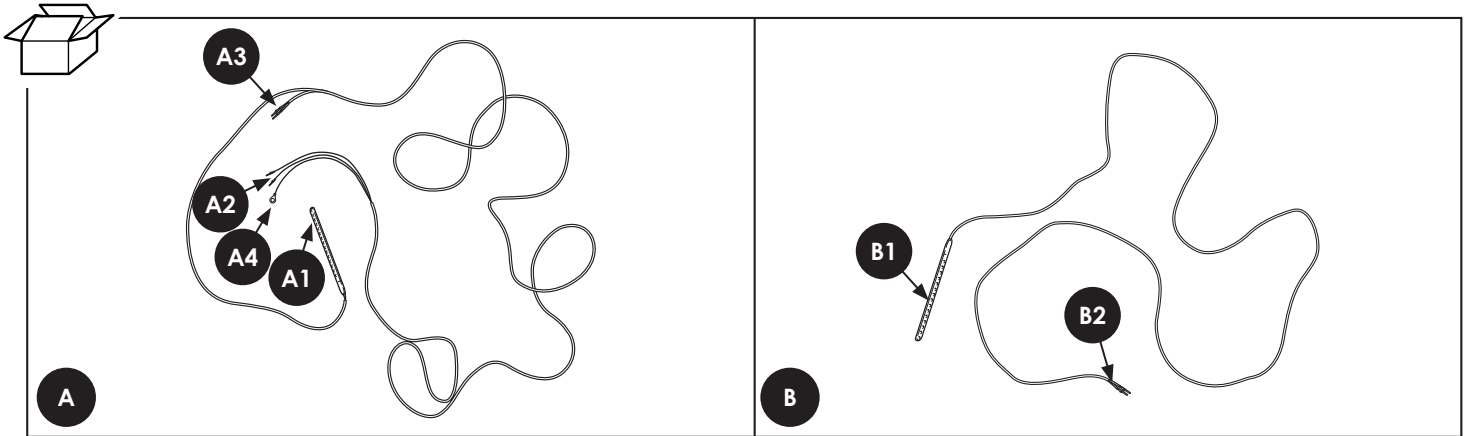
Bed Lighting

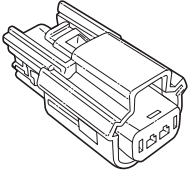
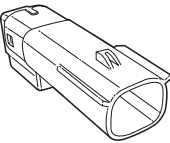
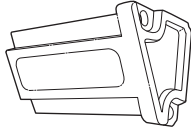
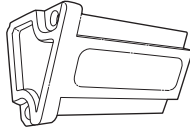


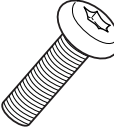
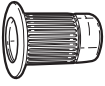
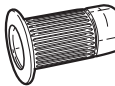
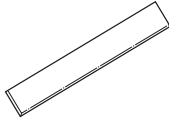
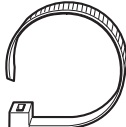



Éclairage de lit


Iluminación de caja

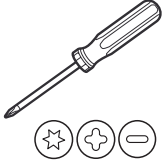

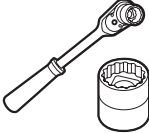



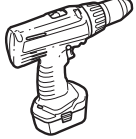
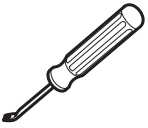

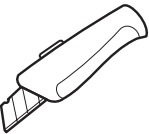
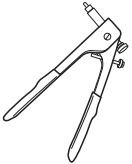

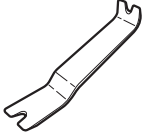
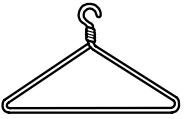
Fitting Time / Durée D'installation / Tiempo De Adaptación: 50 minutes























 C x 2	 D x 2	 E x 2	 F x 2	 G x 2
 H x 8	 I x 4	 J x 4	 K x 4	<div style="border: 1px solid black; padding: 5px; text-align: center;"> CORROSION INHIBITOR INHIBITEUR D' CORROSION INHIBIDOR DE OXIDO </div> L
 M x 2	 N x 25	 O x 4	 P x 4	 Q x 4

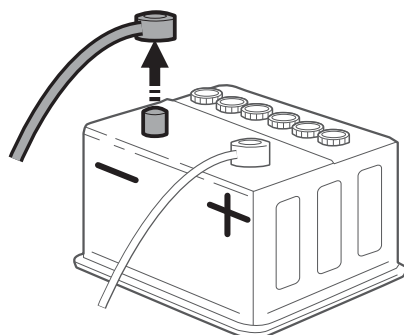
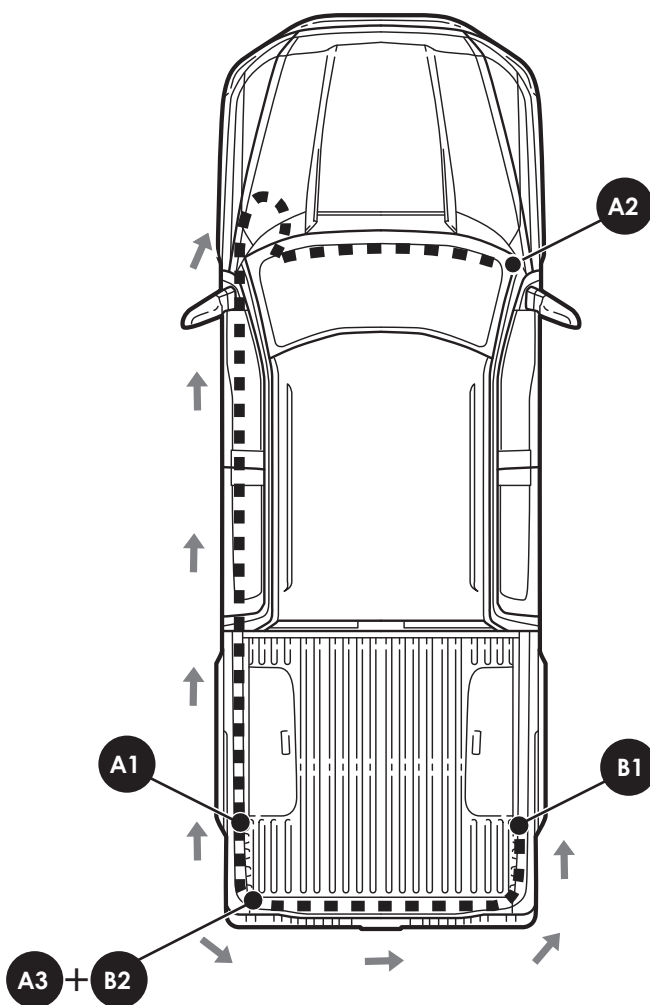


 ☆ + -			 Ø 5/16" Ø 5/8"			
						

	EN	FR	ES
	Position/Location	Flèche de Position	Flecha de posición
	Movement	Flèche indiquant sens du mouvement	Flecha de movimiento
	Disconnect	Déconnecter	Desconecte
	Connect	Connecter	Conecte
	Left & right side of the vehicle	Côté gauche et droit du véhicule	El lado izquierdo y derecho del vehículo
	See workshop manual	Voir Manuel d'atelier	Consulte el manual de taller
	Attention / important advice	Attention / indication importante	Atención / indicación importante
	Look at page nr. ...	Se référer à la page n° ...	Mirar en la página n°...
	Present / occupied / OK	Disponible / occupé / OK	Presente / ocupado / OK
	Not present / not occupied / not OK	Pas disponible / pas occupé / pas OK	Non presente / non ocupado / non OK
	Ground or Earth (31)	Masse (31)	Masa (31)
	Positive connection battery terminal lug	Borne „plus" de la batterie	Conexión positiva de batería
	Ground connection battery terminal lug	Borne „moins" de la batterie	Conexión negativa de batería
	Audible Click	Signalisation acoustique	Señalización acústica
	Option	Option	Opcion
	Vehicle Forward Direction	Véhicule à traction avant	Dirección frontal del vehículo
	Skip to step...	Santer à étape...	Brincar a paso...
	Torque	Couple	Par de torsión

	BK	WH	GY	GN	RD	BU	YE	BN	VT	OG
EN	black	white	grey	green	red	blue	yellow	brown	purple	orange
ES	negro	blanco	gris	verde	rojo	azul	amarillo	marrón	violeta	naranja
FR	noir	blanc	gris	vert	rouge	bleu	jaune	brun	violet	orange

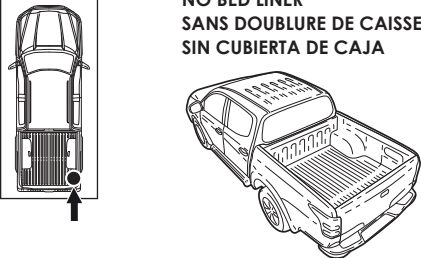




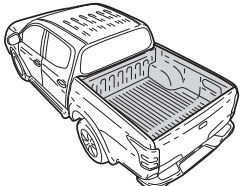
1

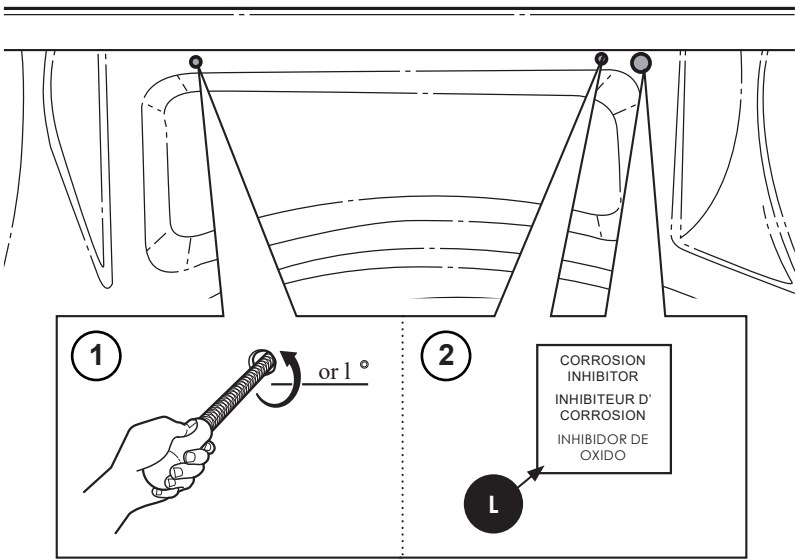
5

NO BED LINER
 SANS DOUBLURE DE CAISSE
 SIN CUBIERTA DE CAJA



SPRAY IN BED LINER
 DOUBLURE DE CAISSE PULVÉRISÉE
 CUBIERTA DE CAJA ROCIADA





1 or 1°

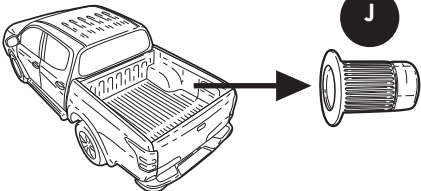
2

CORROSION INHIBITOR
 INHIBITEUR D'CORROSION
 INHIBIDOR DE OXIDO

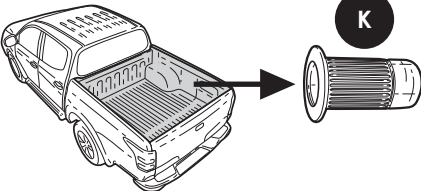
L

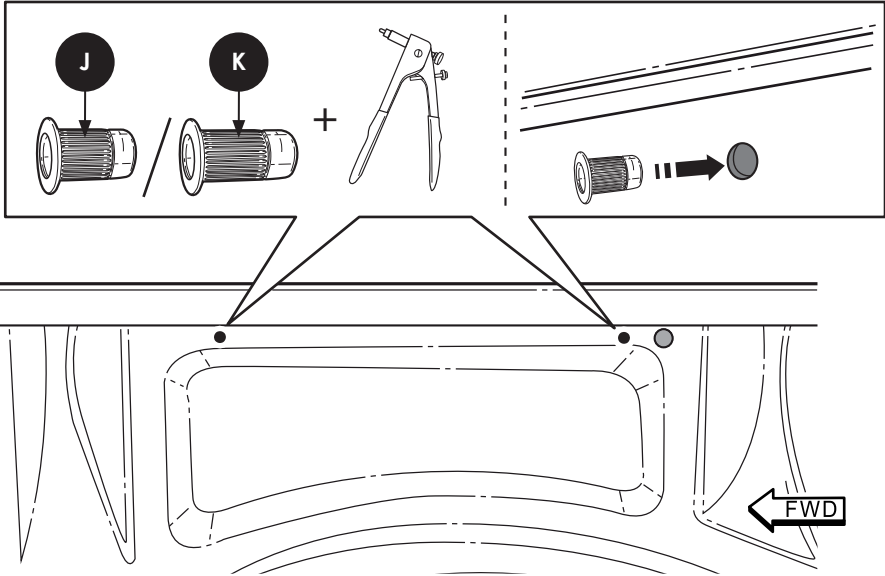
6

NO BED LINER
 SANS DOUBLURE DE CAISSE
 SIN CUBIERTA DE CAJA



SPRAY IN BED LINER
 DOUBLURE DE CAISSE PULVÉRISÉE
 CUBIERTA DE CAJA ROCIADA





J

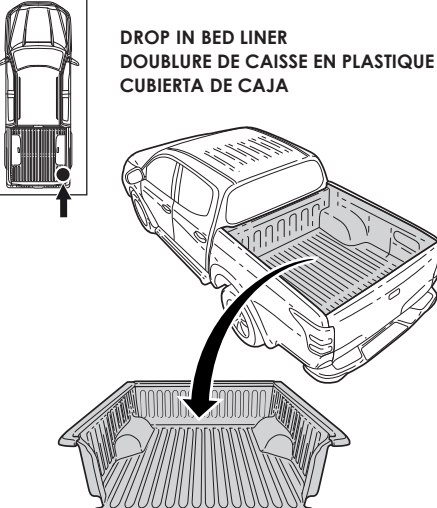
K

L

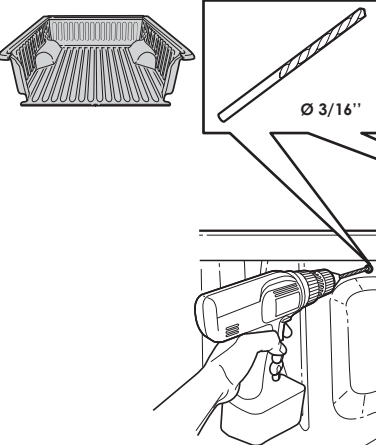
FWD

7

DROP IN BED LINER
 DOUBLURE DE CAISSE EN PLASTIQUE
 CUBIERTA DE CAJA

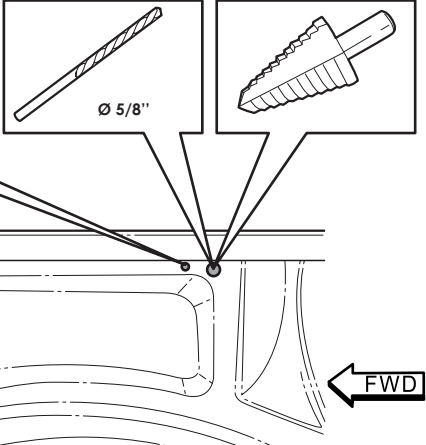


DRILL BED LINER ONLY
 DOUBLURE DE LIT SEULEMENT
 SÓLO FORRO DE CAMA



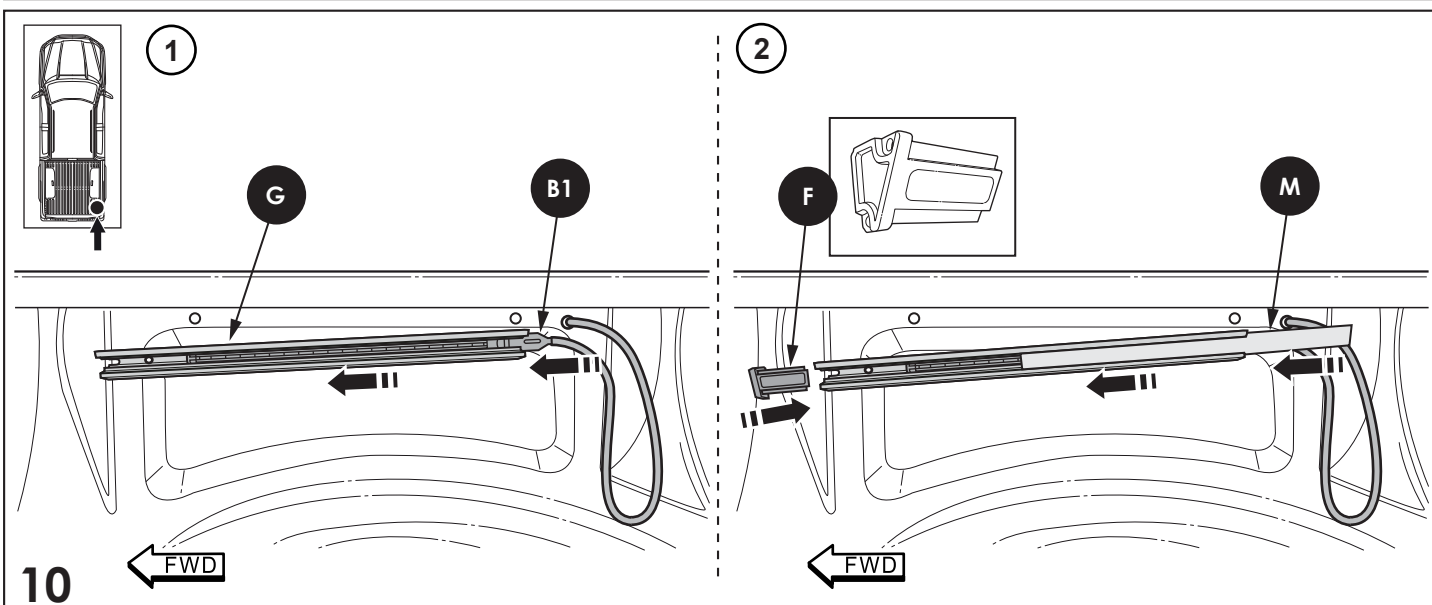
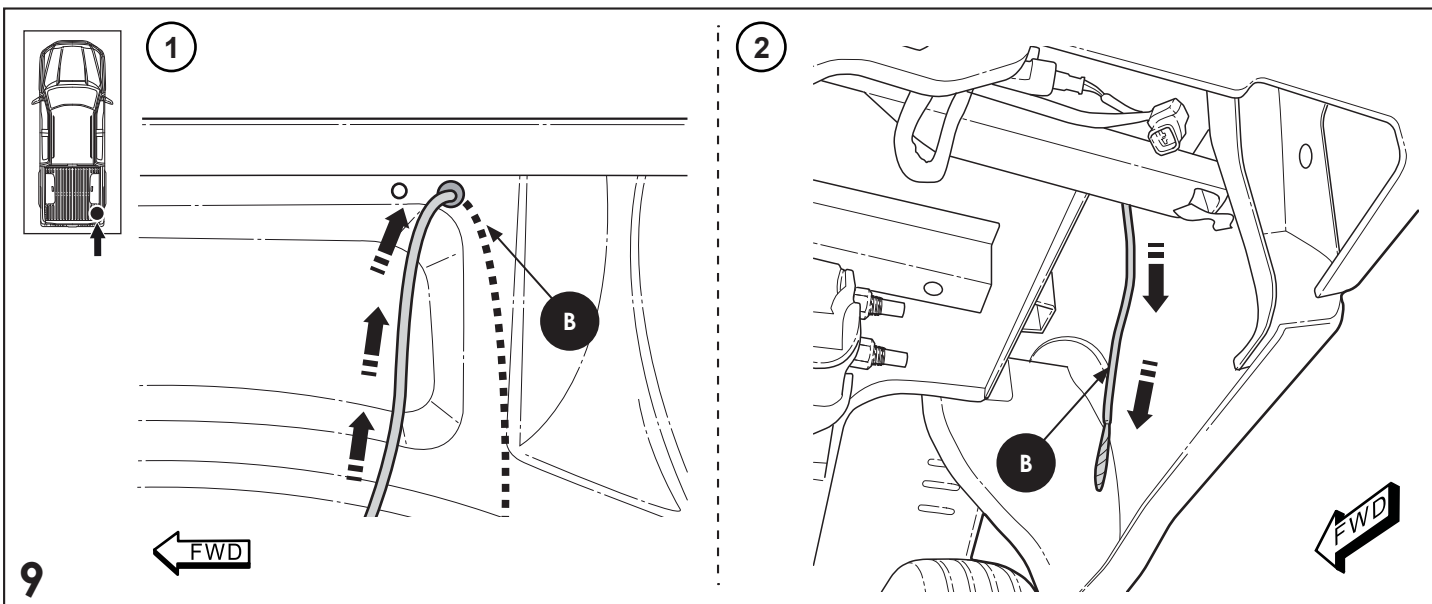
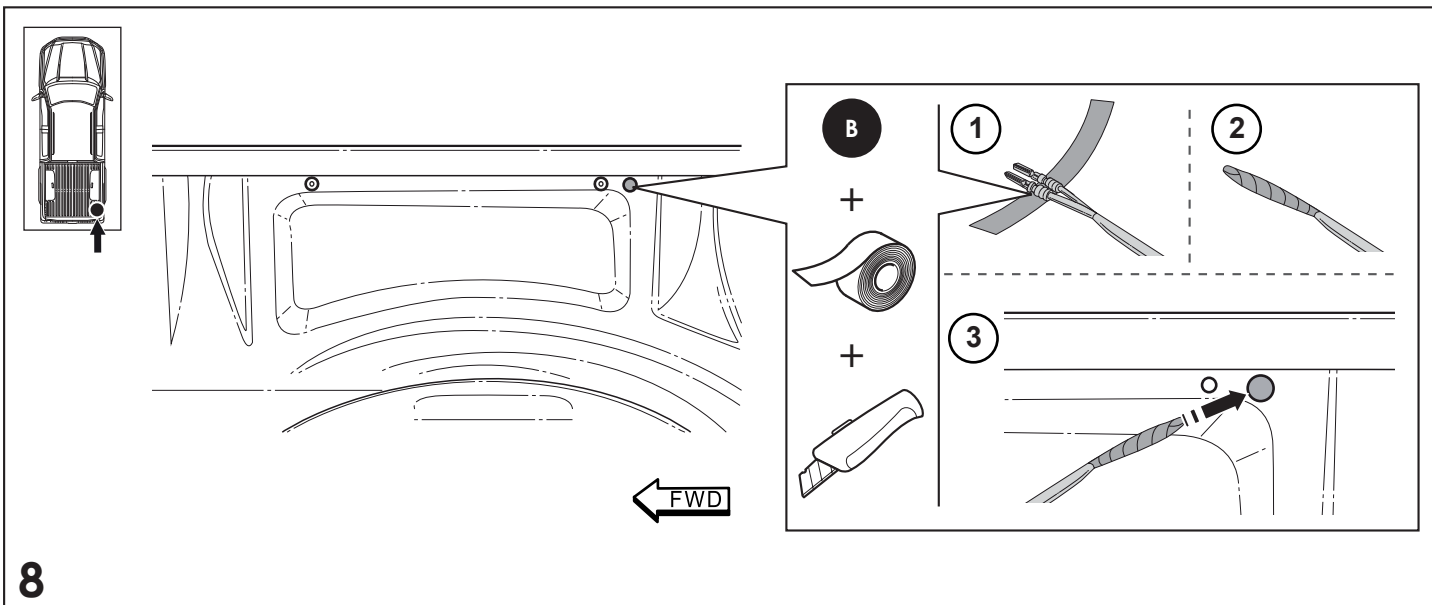
Ø 3/16"

DRILL BED LINER AND SHEET METAL
 PERCER À TRAVERS LE PLASTIQUE ET LE MÉTAL
 PERFORAR PLÁSTICO Y METAL

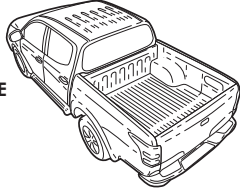


Ø 5/8"

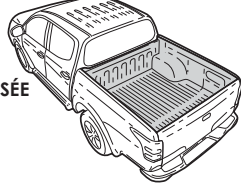
FWD

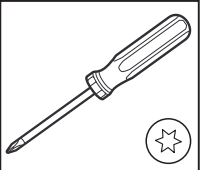


NO BED LINER
 SANS DOUBLURE DE CAISSE
 SIN CUBIERTA DE CAJA

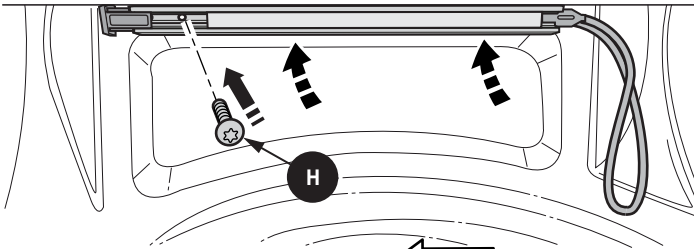


SPRAY IN BED LINER
 DOUBLURE DE CAISSE PULVÉRISÉE
 CUBIERTA DE CAJA ROCIADA



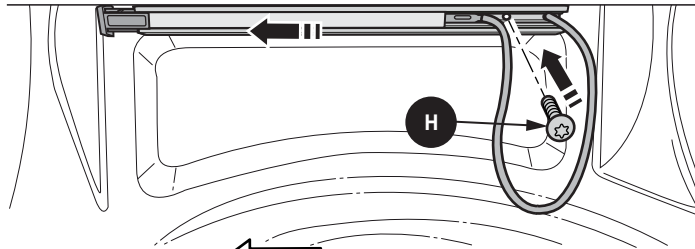


1



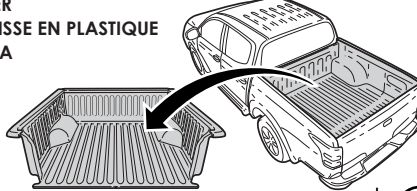
11 ← FWD

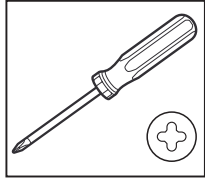
2




← FWD

DROP IN BED LINER
 DOUBLURE DE CAISSE EN PLASTIQUE
 CUBIERTA DE CAJA



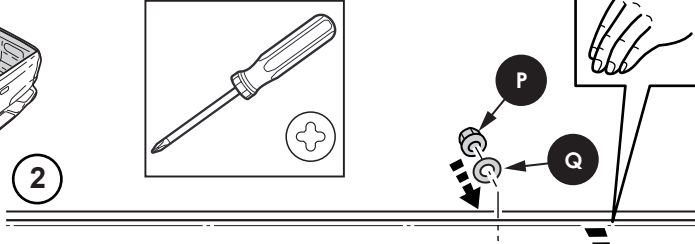


1



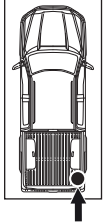
12 ← FWD

2

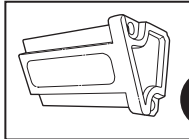


← FWD

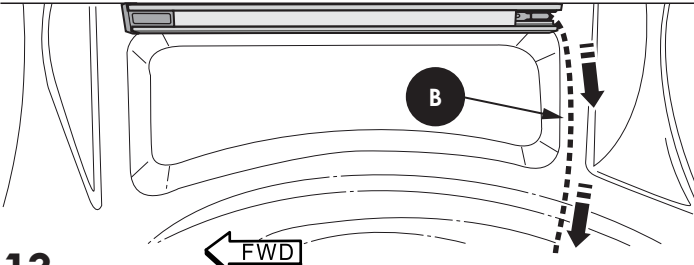
1



2

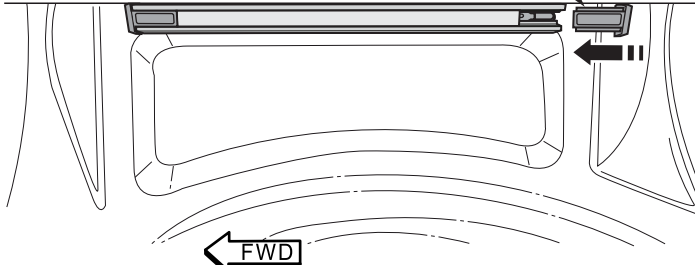


13

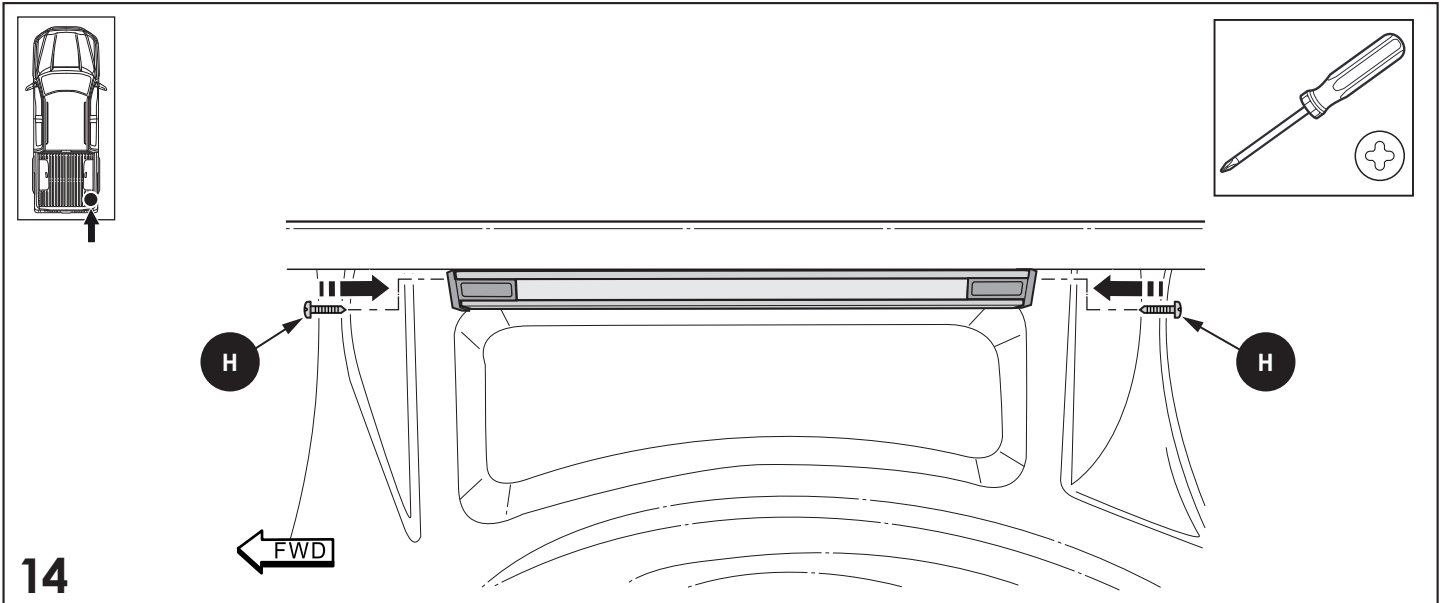


← FWD

2



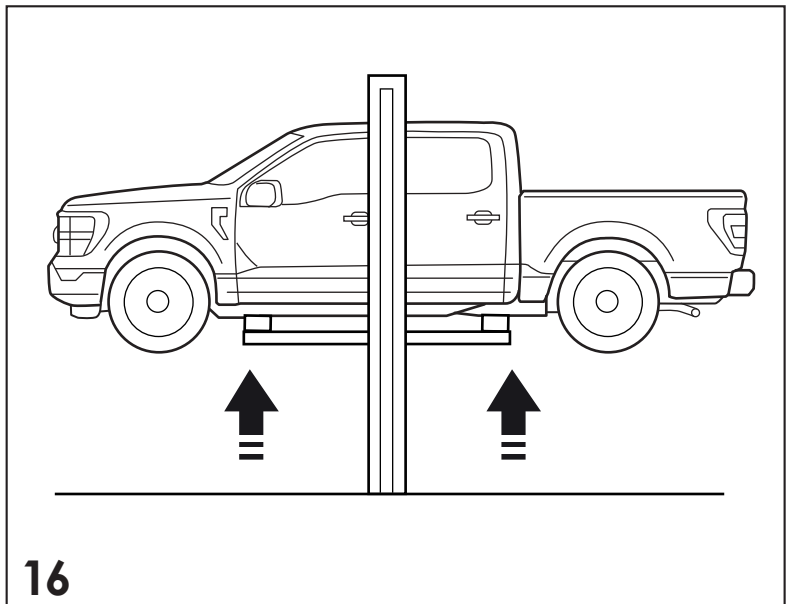
← FWD



14

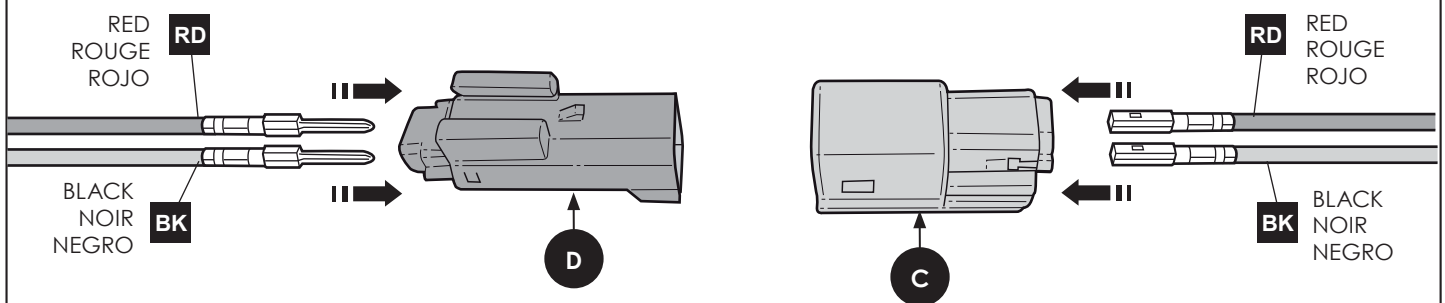
- EN** Repeat Steps 2 - 14 on the Driver side with Harness A
- FR** Répétez les étapes 2 à 14 du côté conducteur avec le harnais A.
- ES** Repita los pasos 2 a 14 en el lado del conductor con el arnés A.

15



16

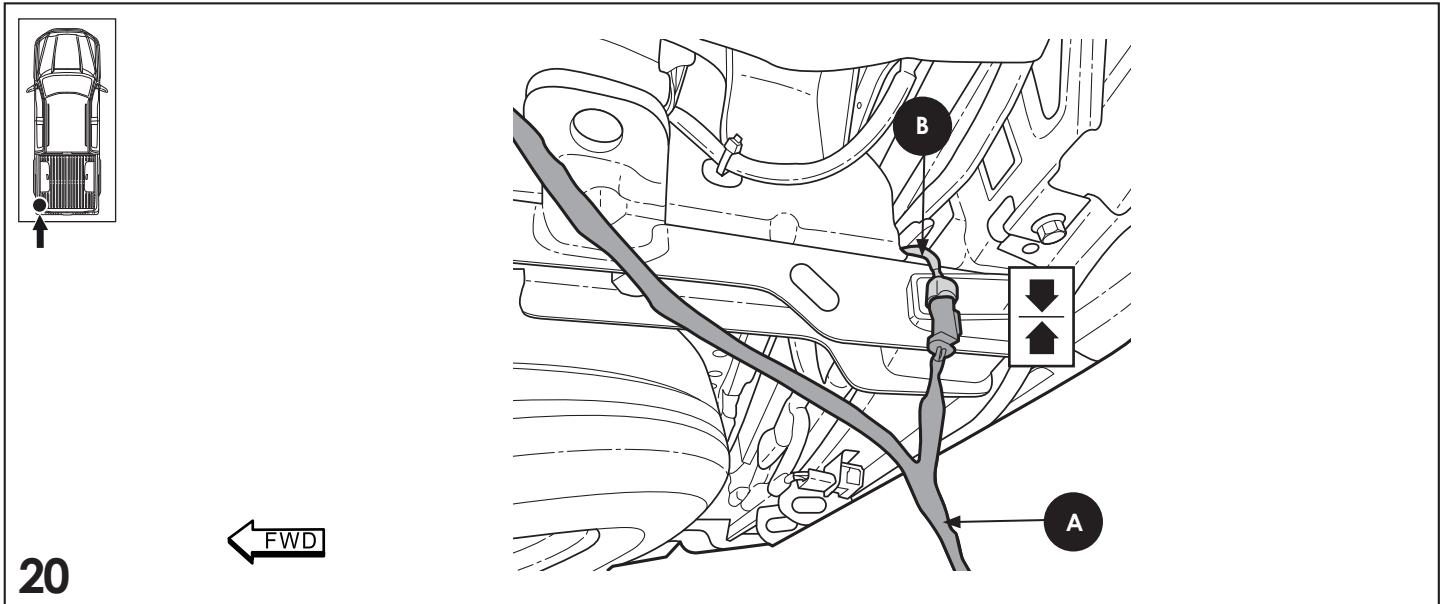
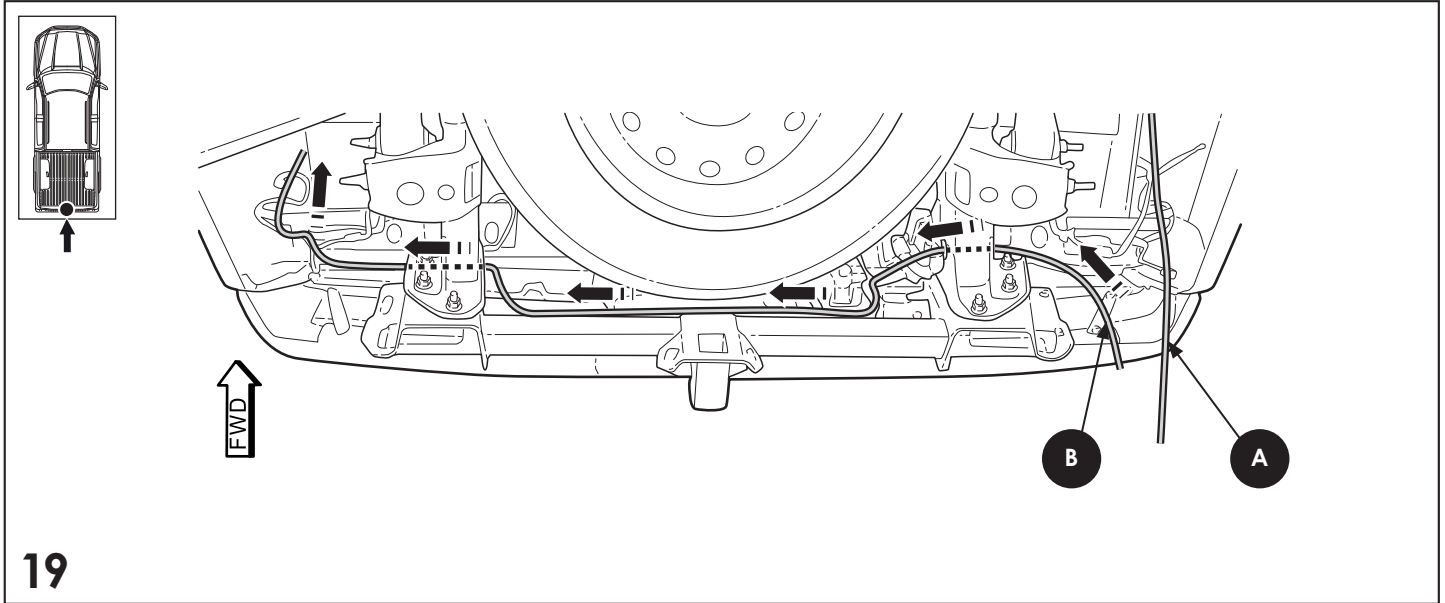
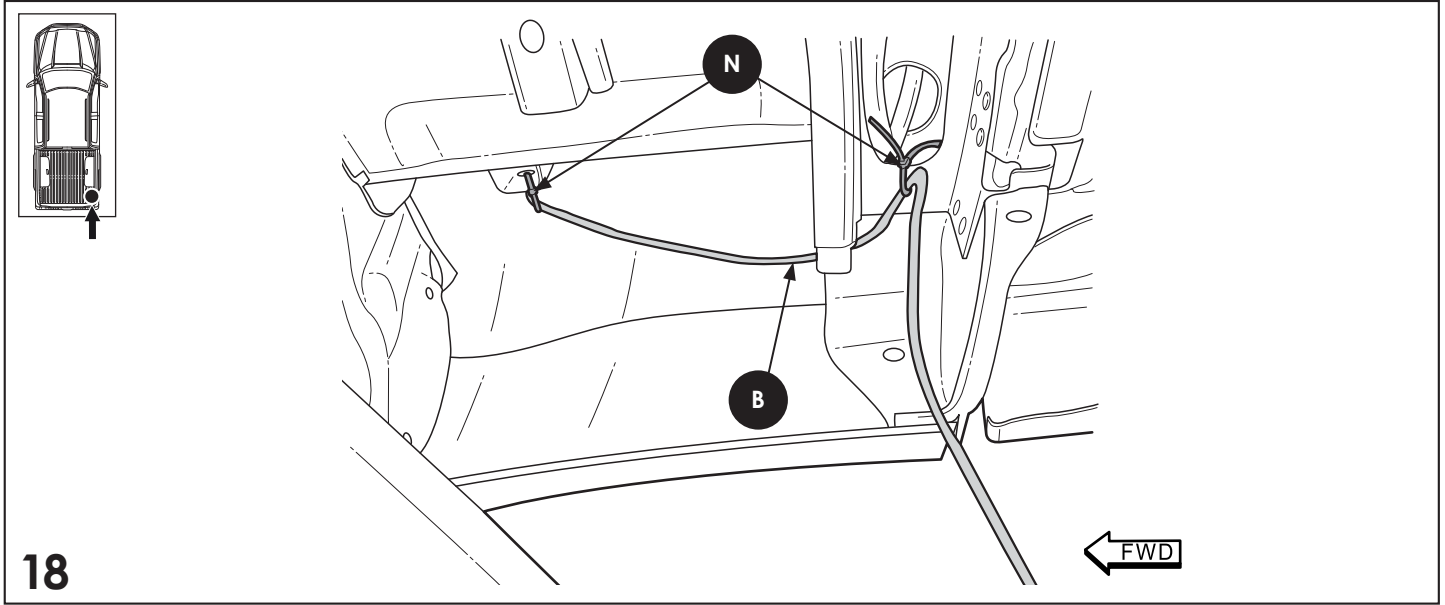
INSTALL TERMINALS IN PATCH CONNECTORS
INSTALEZ LES BORNES DANS LES CONNEXEURS DE RACCORD
INSTALE LAS TERMINALES EN LOS CONECTORES DE CONEXIÓN

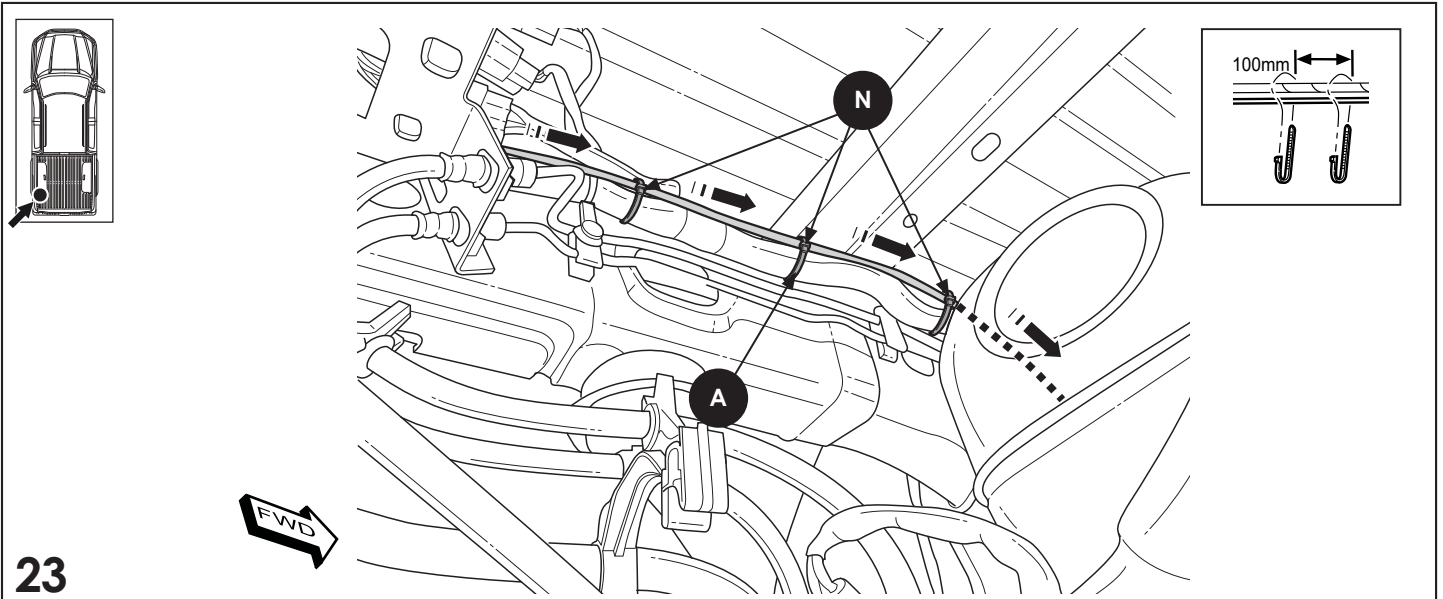
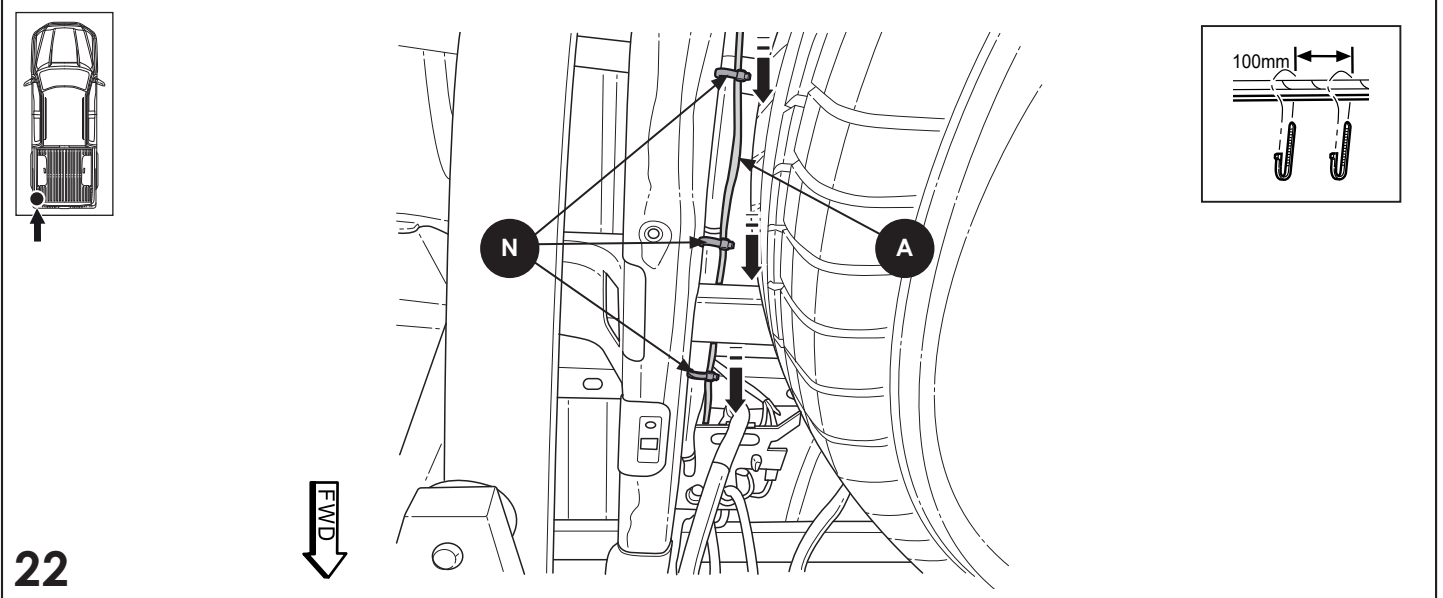
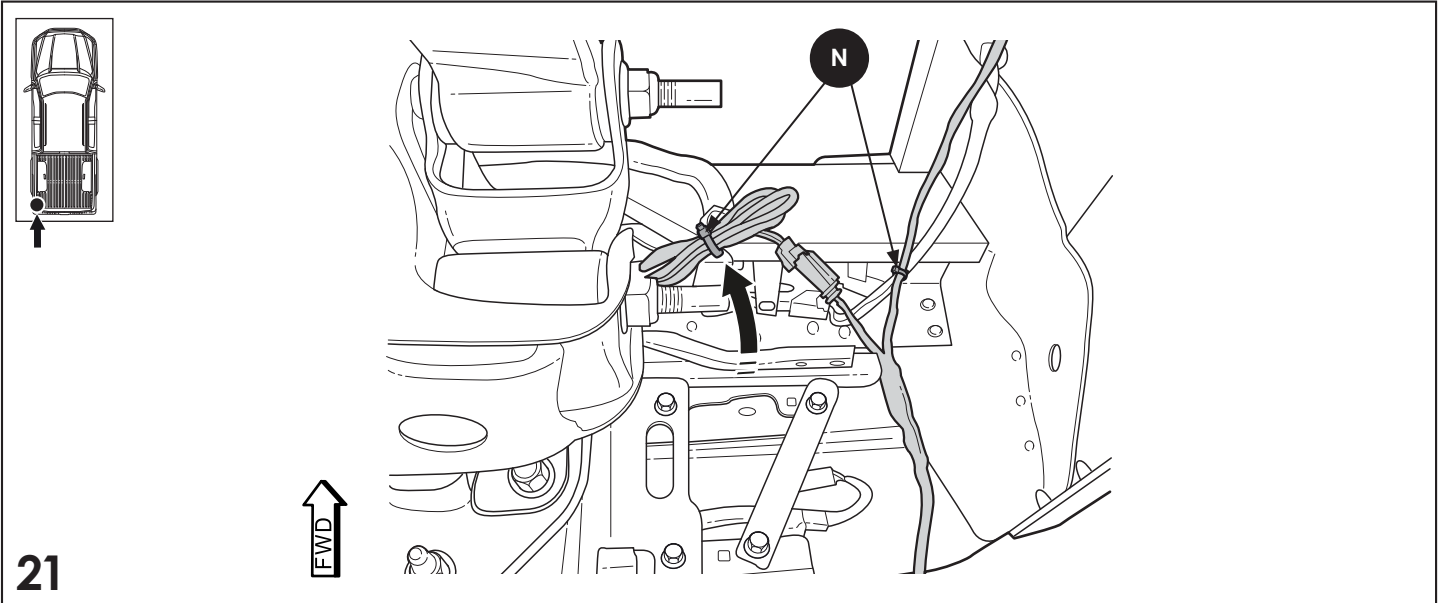


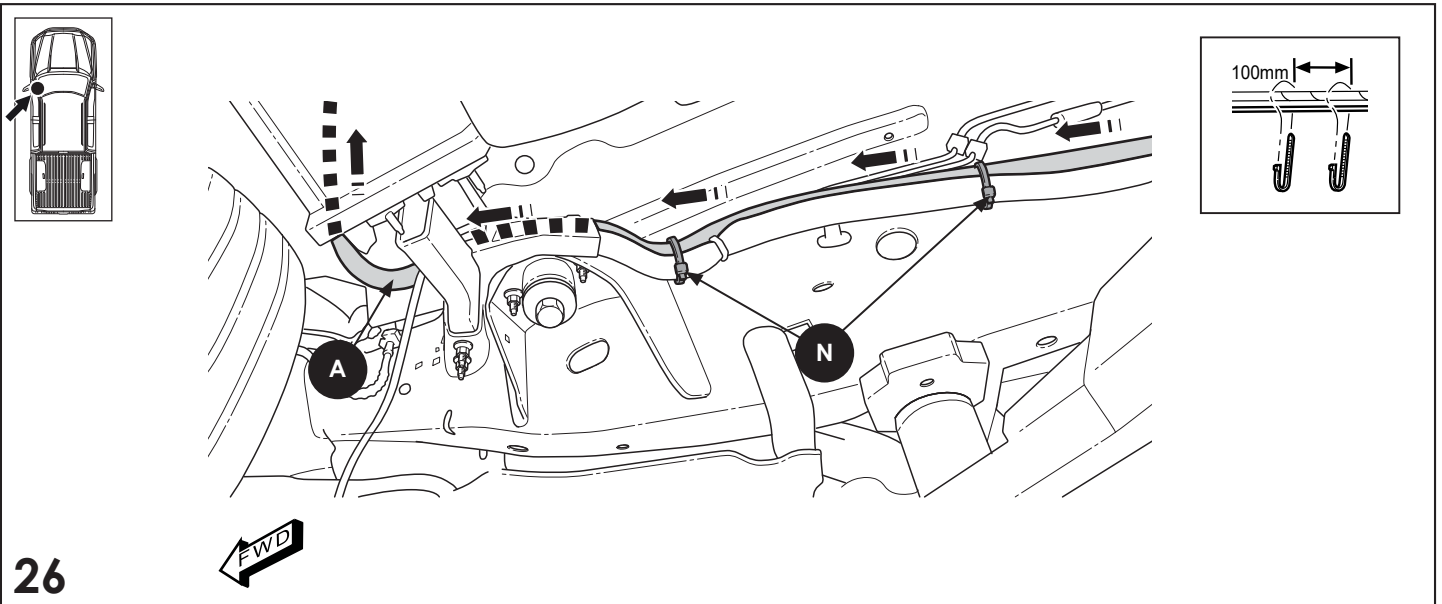
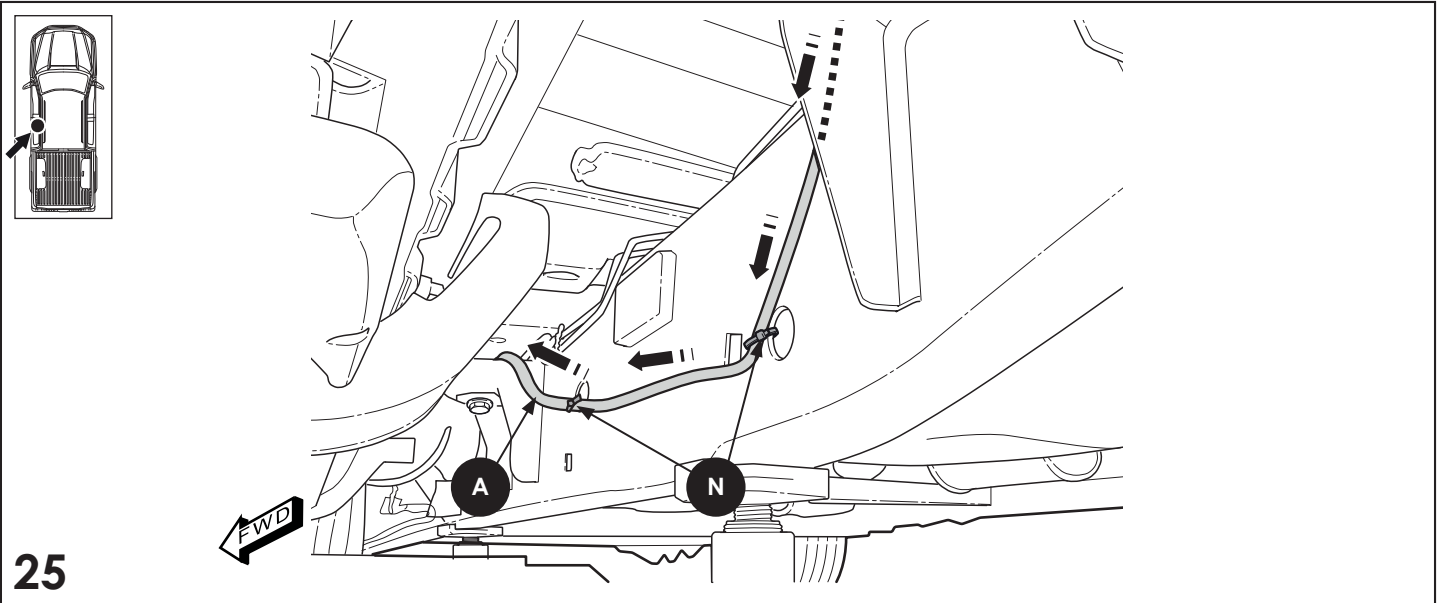
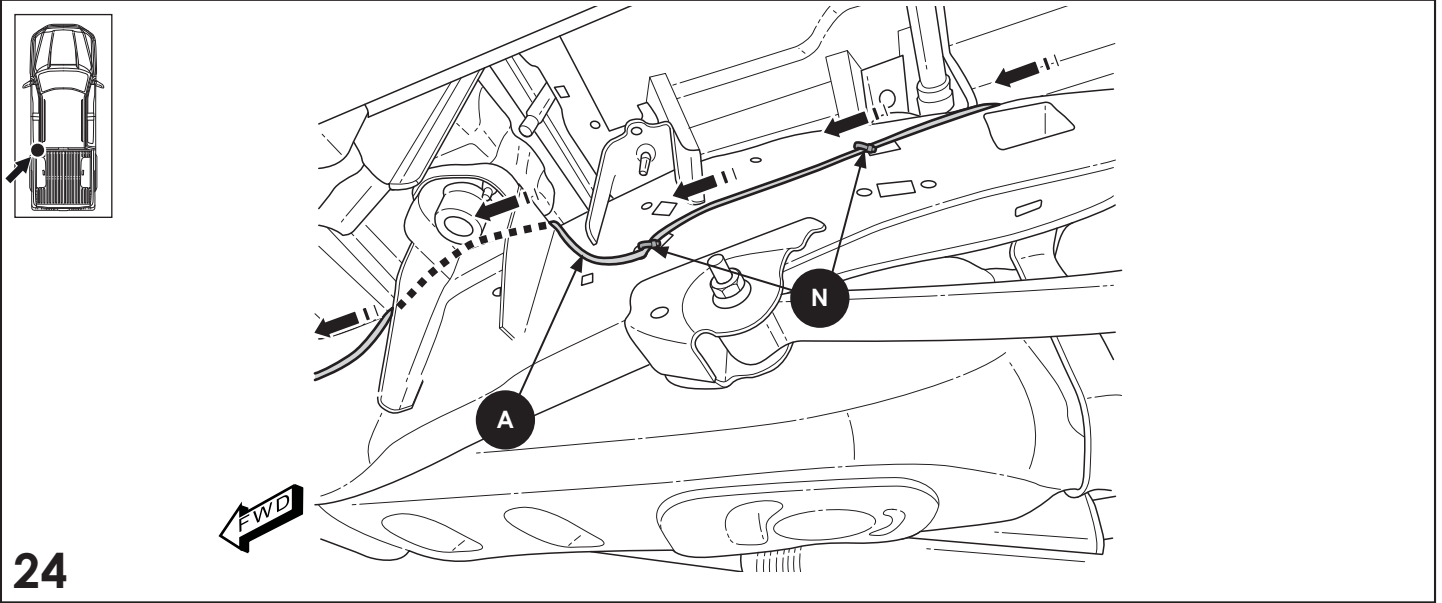
17

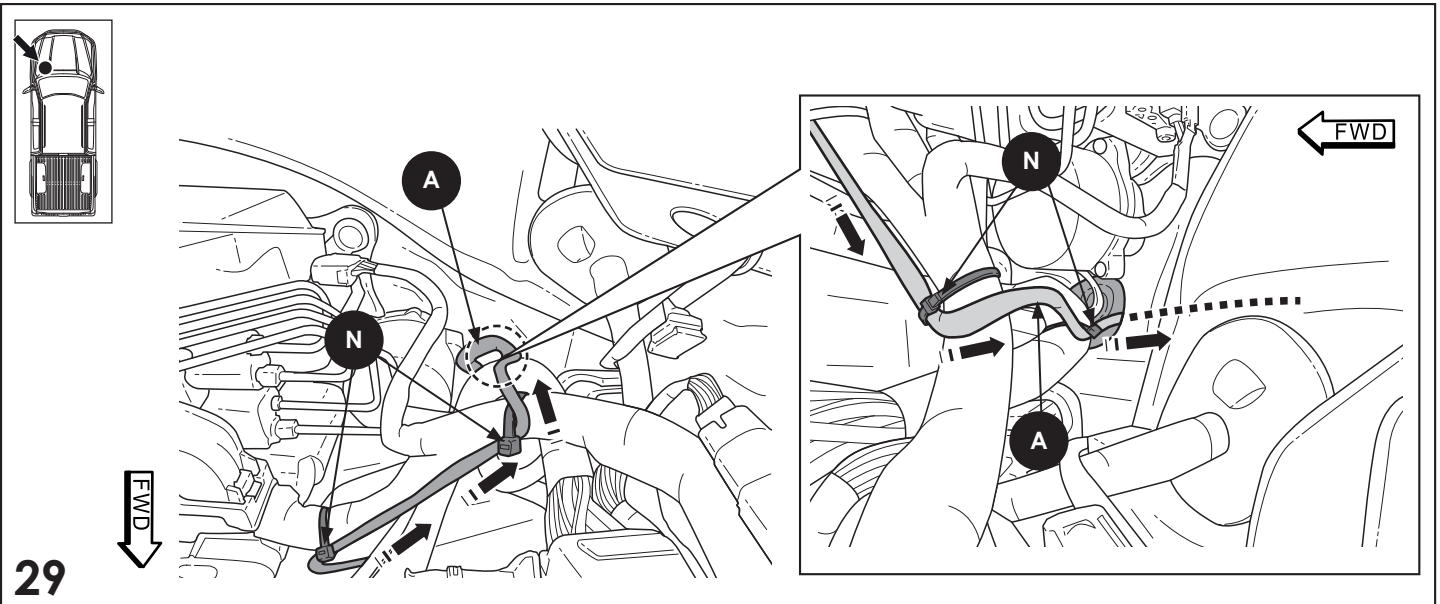
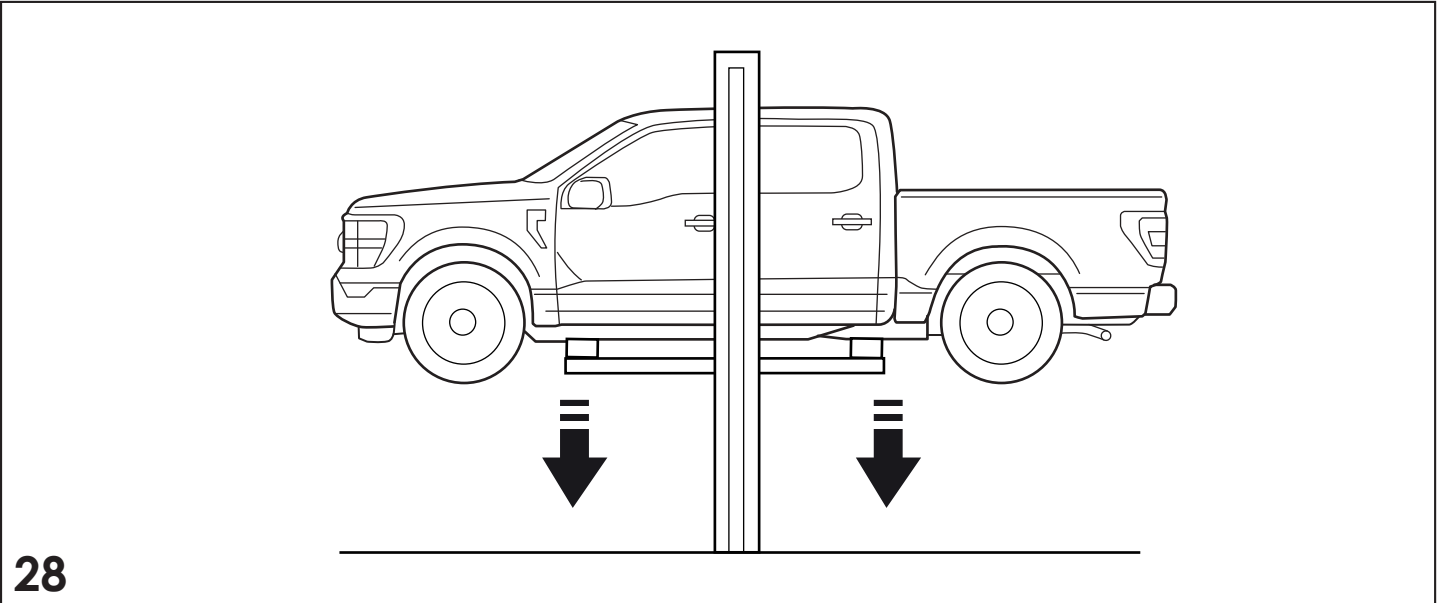
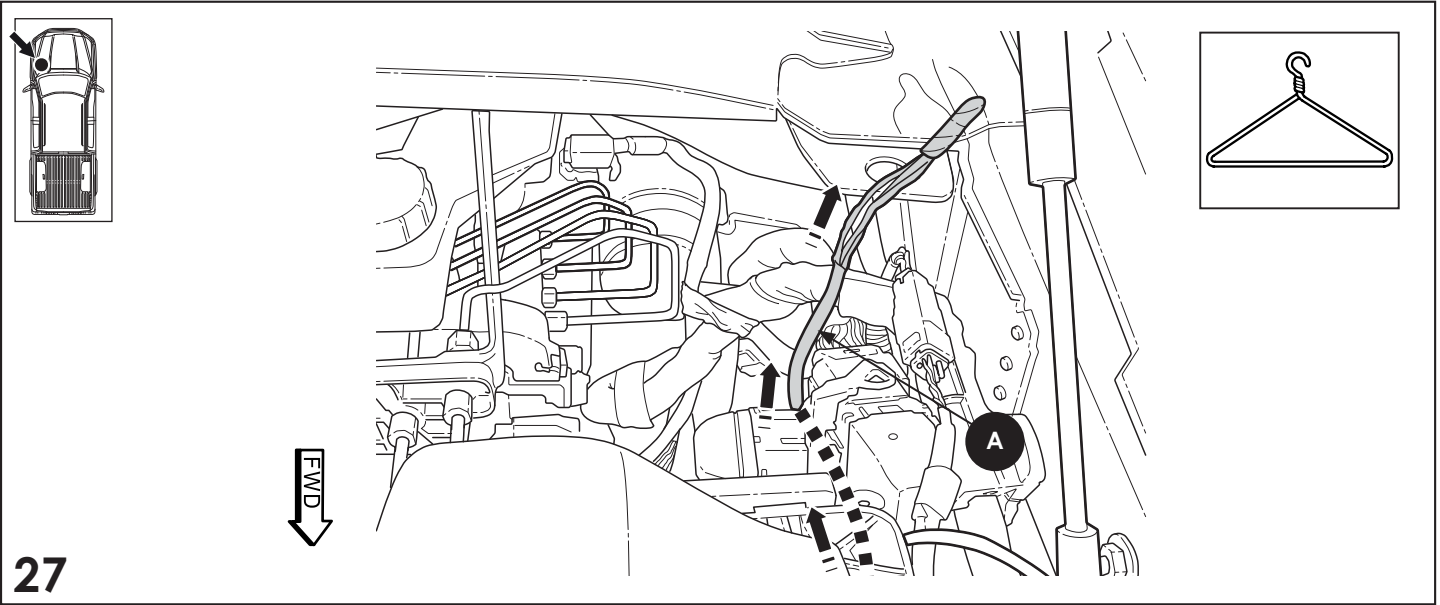


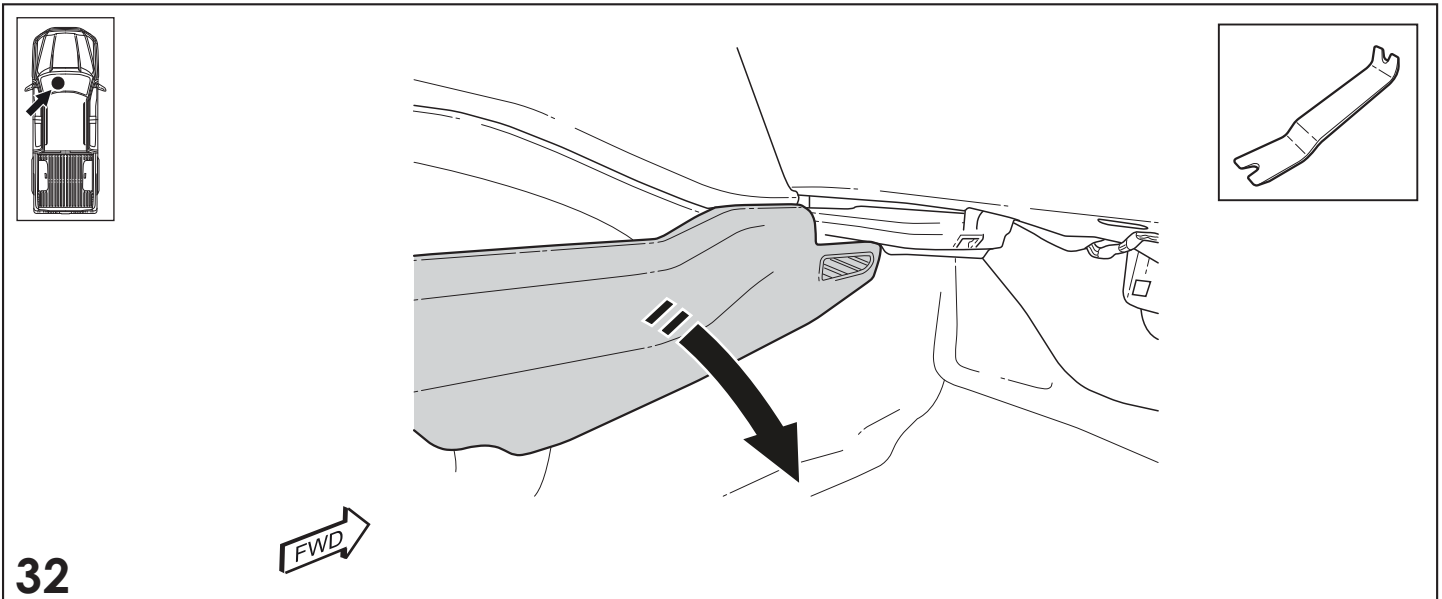
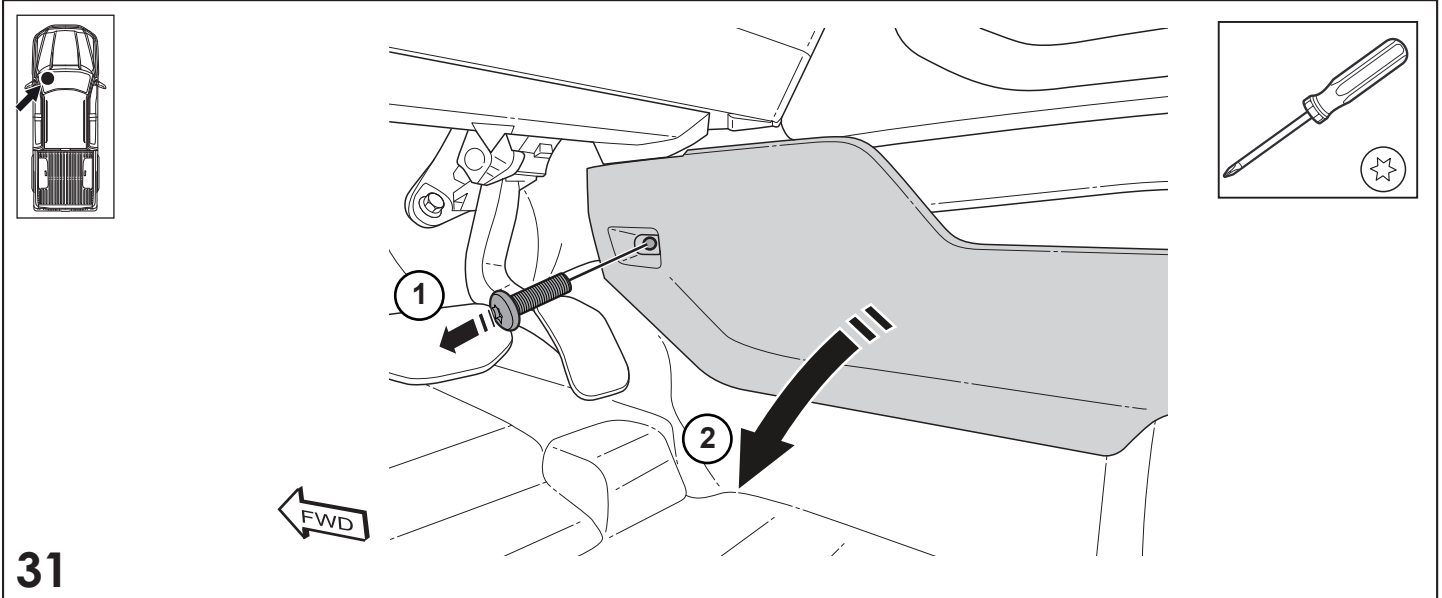
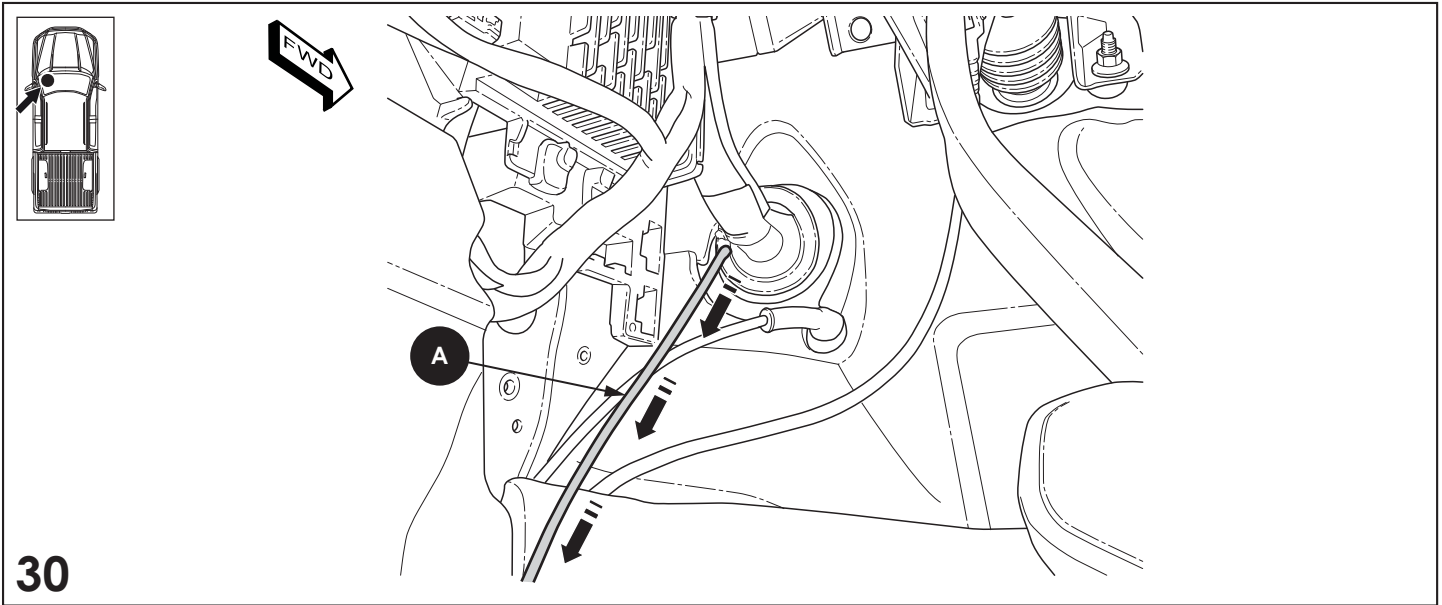
NOTE: BE SURE THE WIRE COLORS WILL MATCH AS SHOWN
REMARQUE: ASSUREZ-VOUS QUE LES COULEURS DES FILS CORRESPONDENT À CELLES ILLUSTRÉES
NOTA: ASEGÚRESE DE QUE LOS COLORES DE LOS CABLES COINCIDAN COMO SE MUESTRA

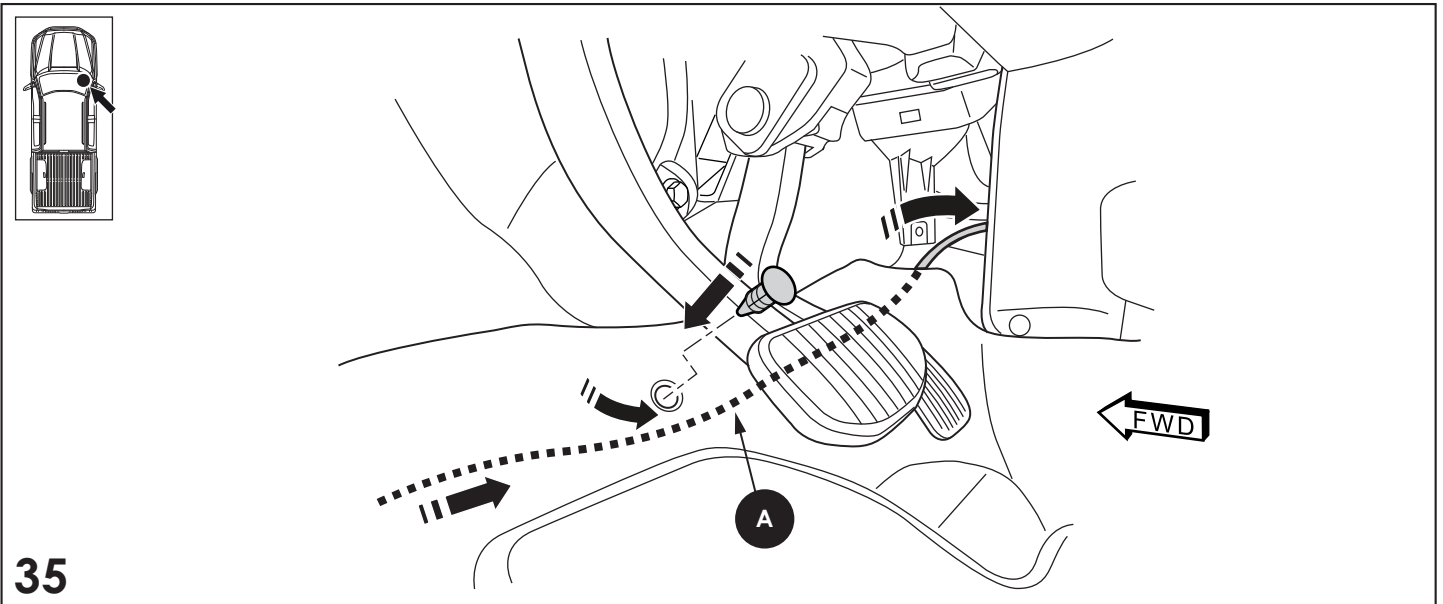
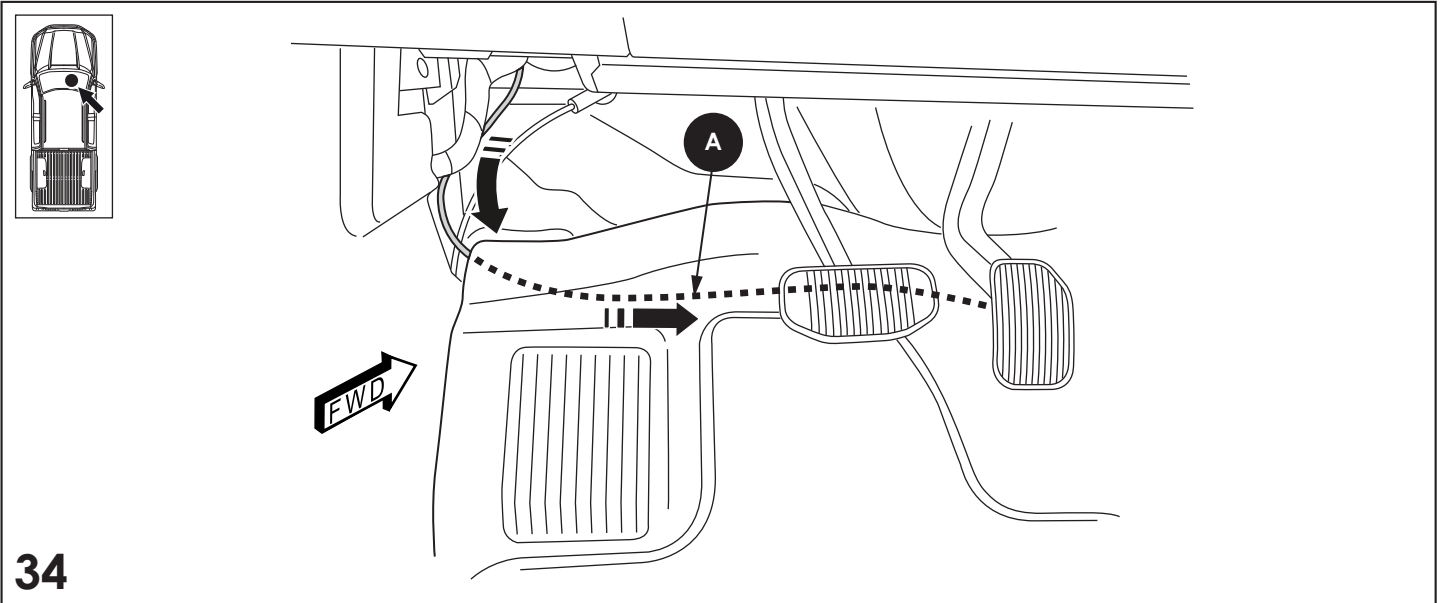
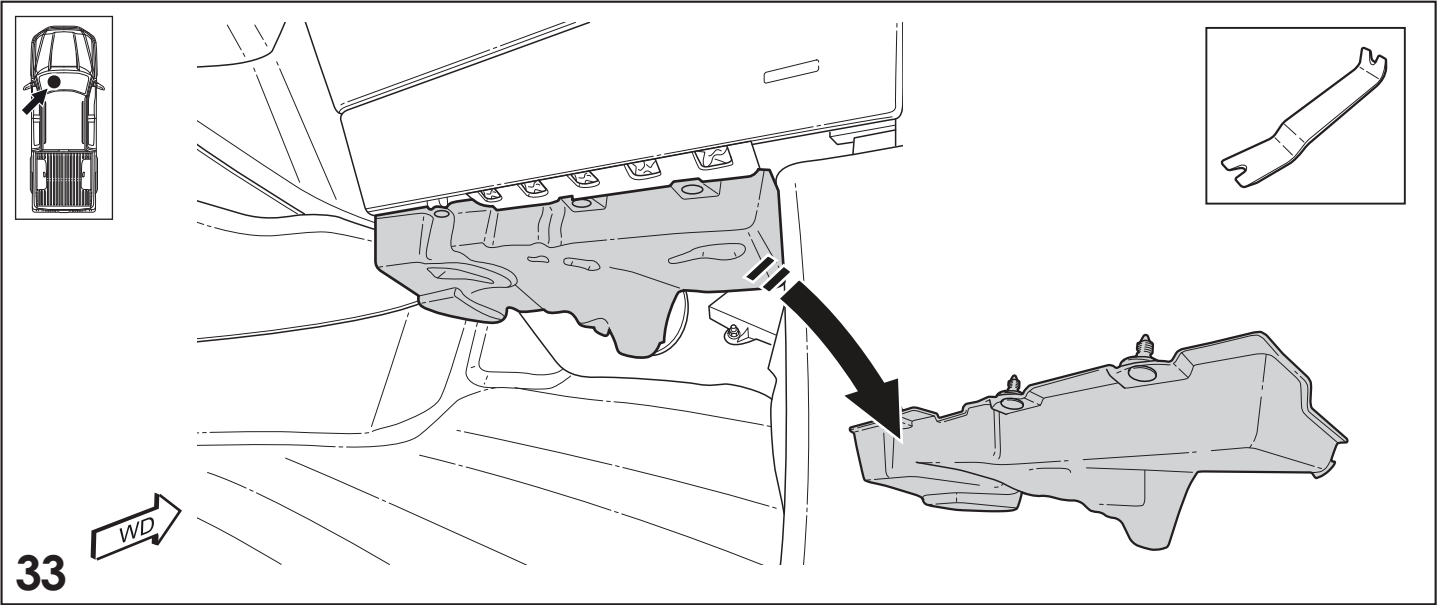


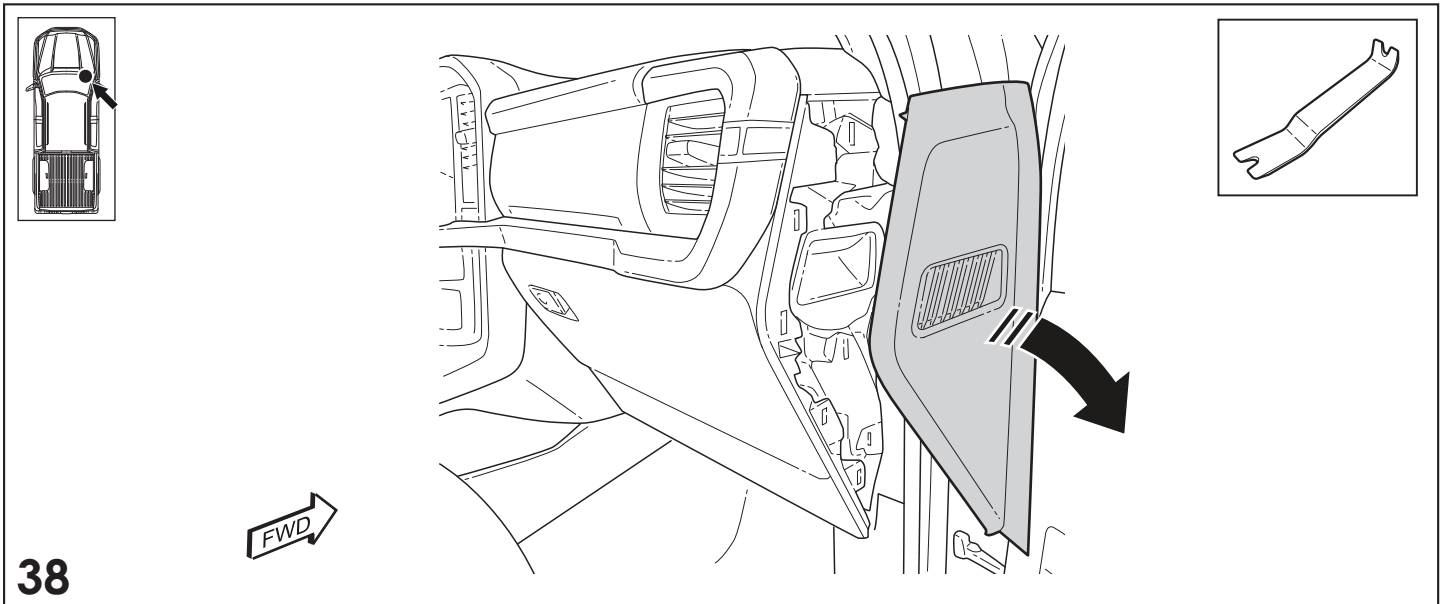
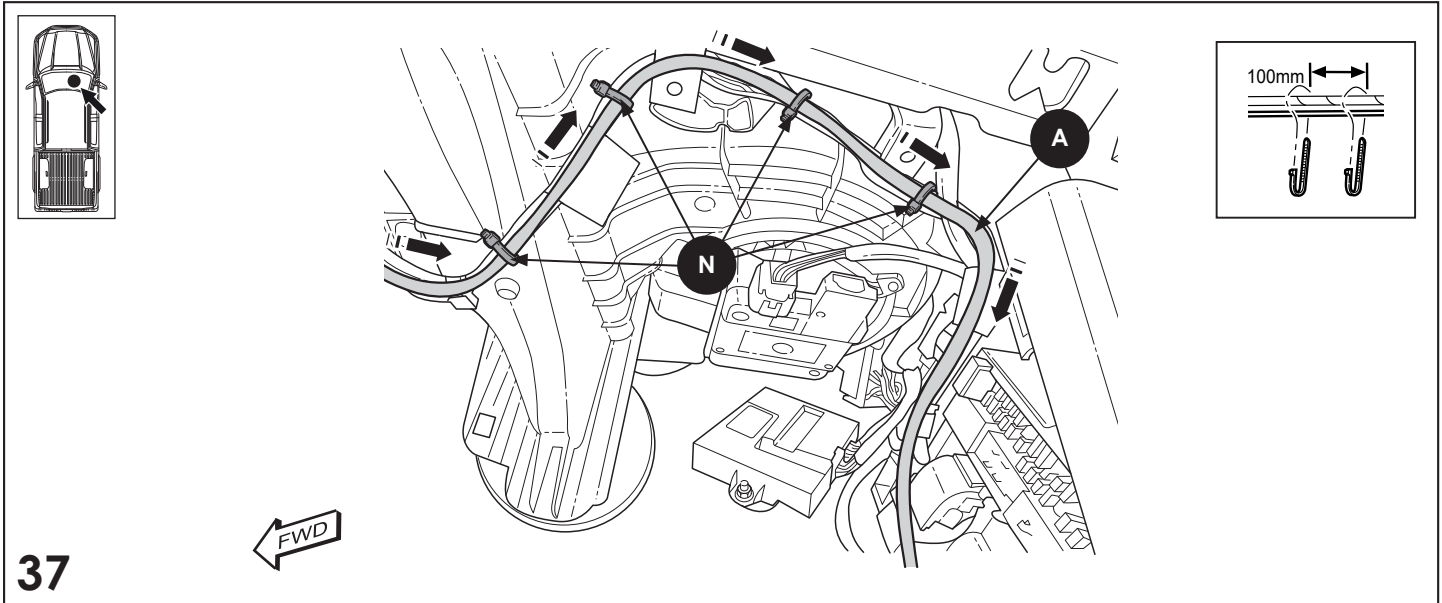
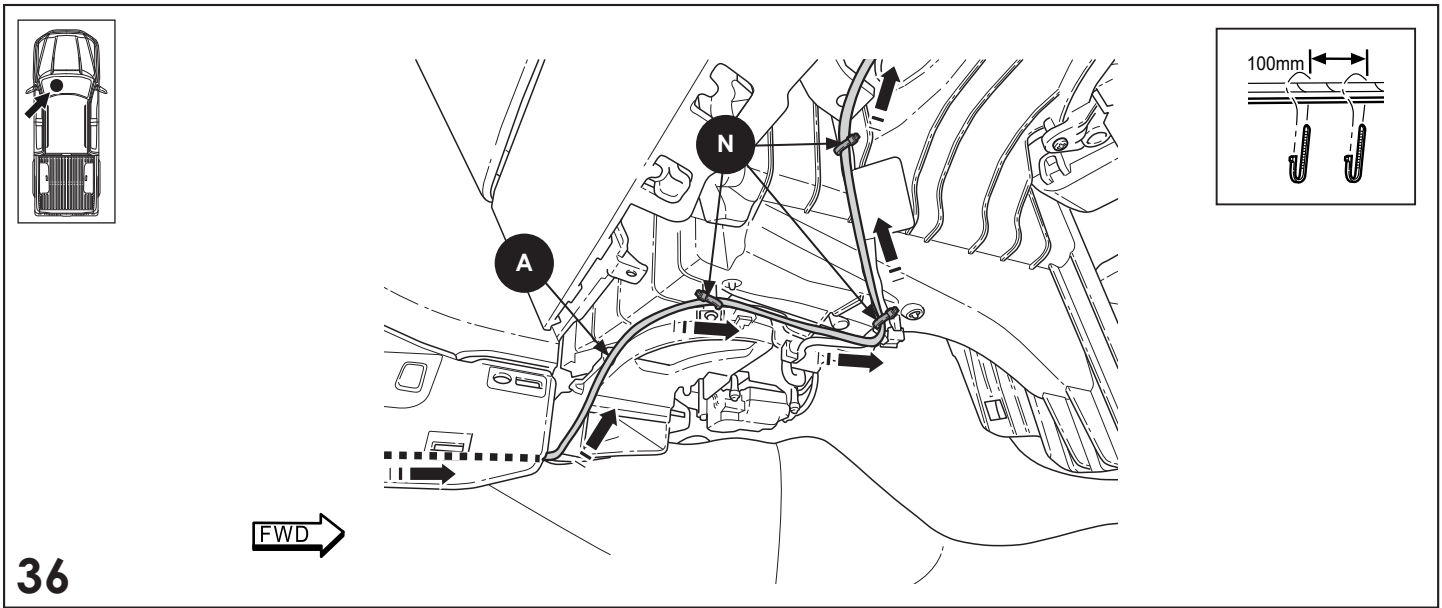


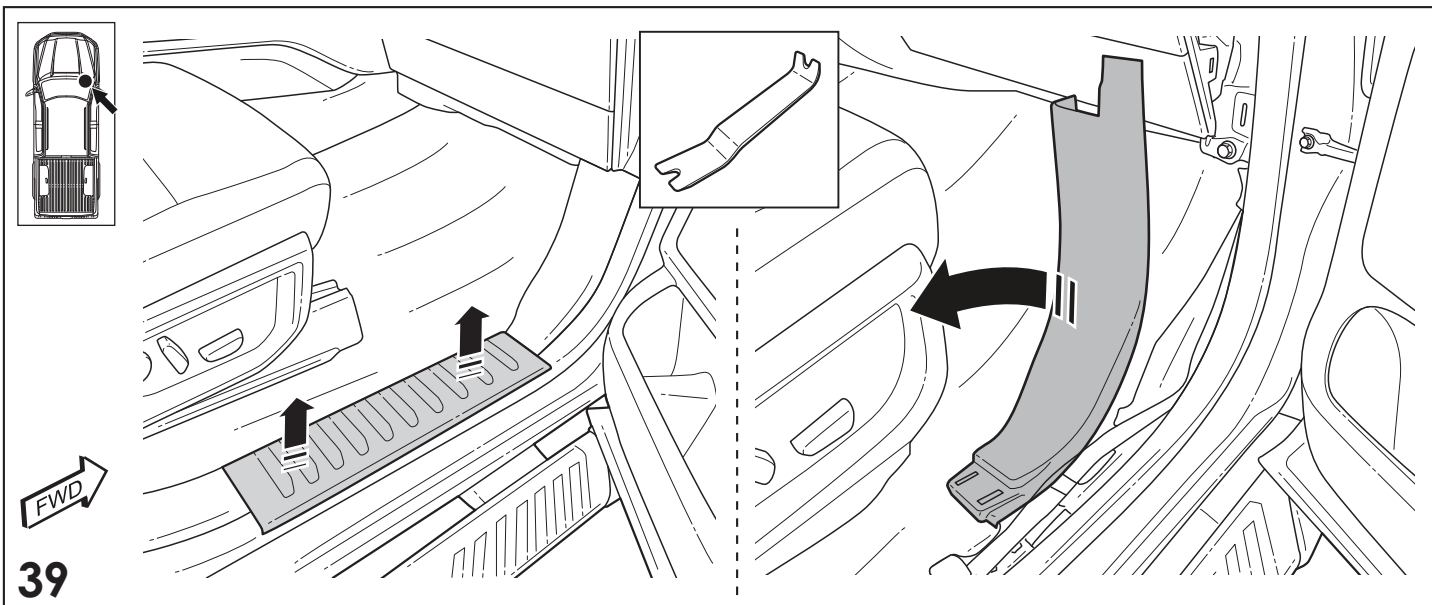








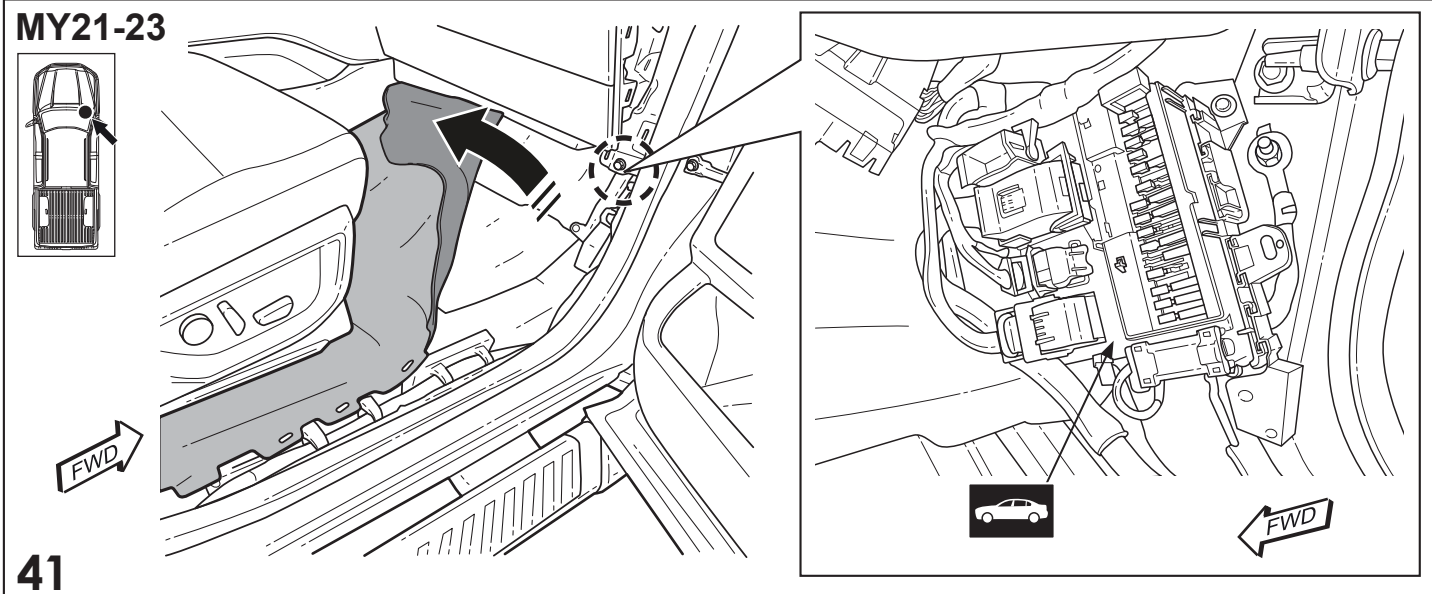


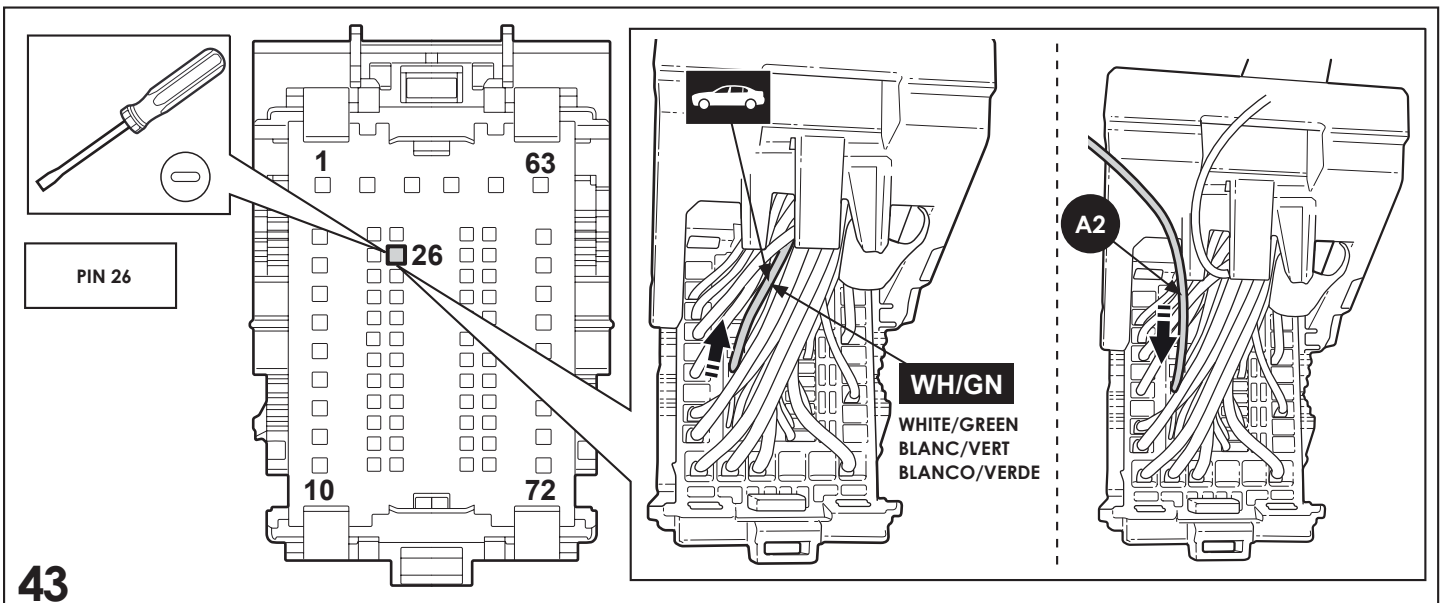
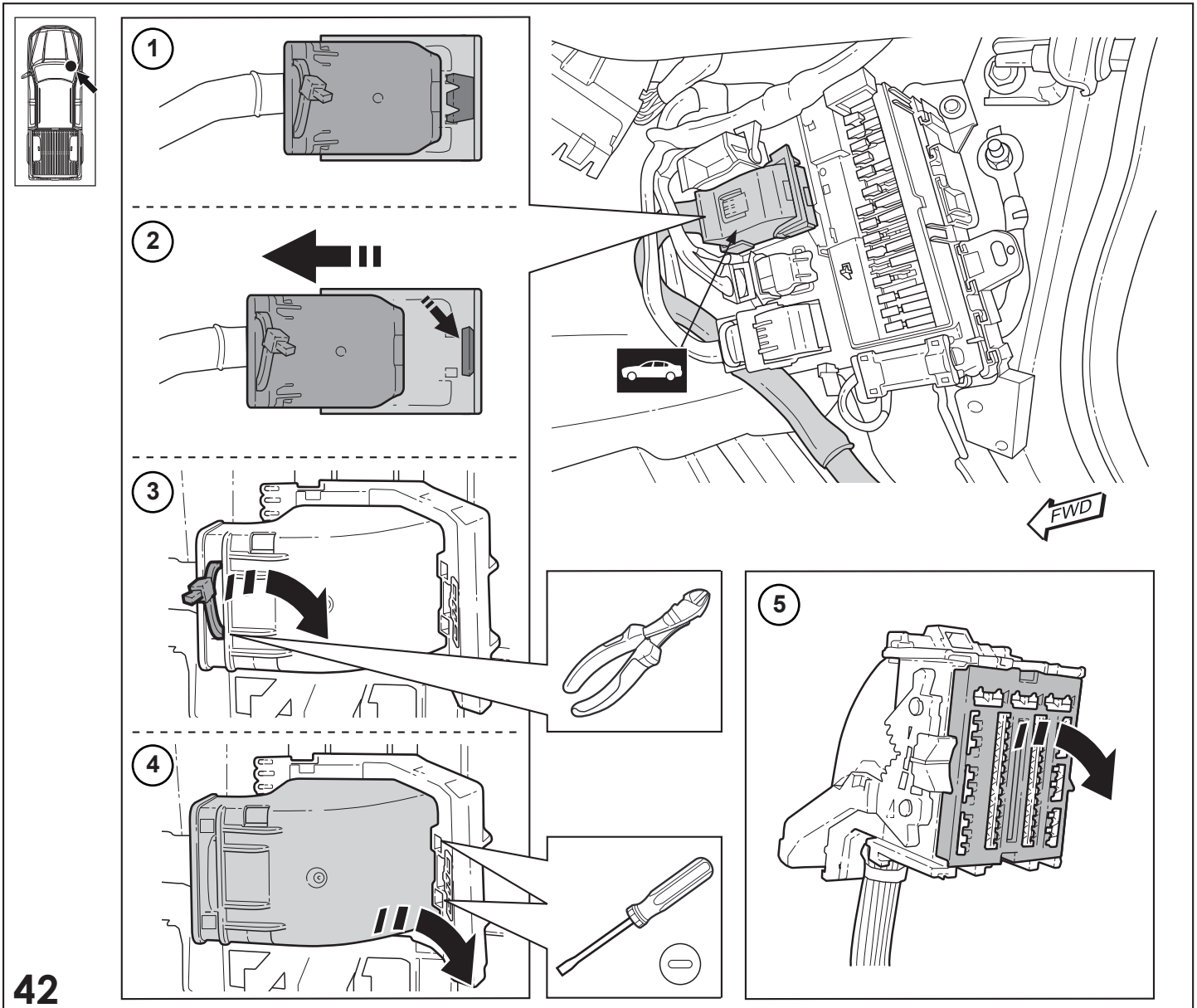


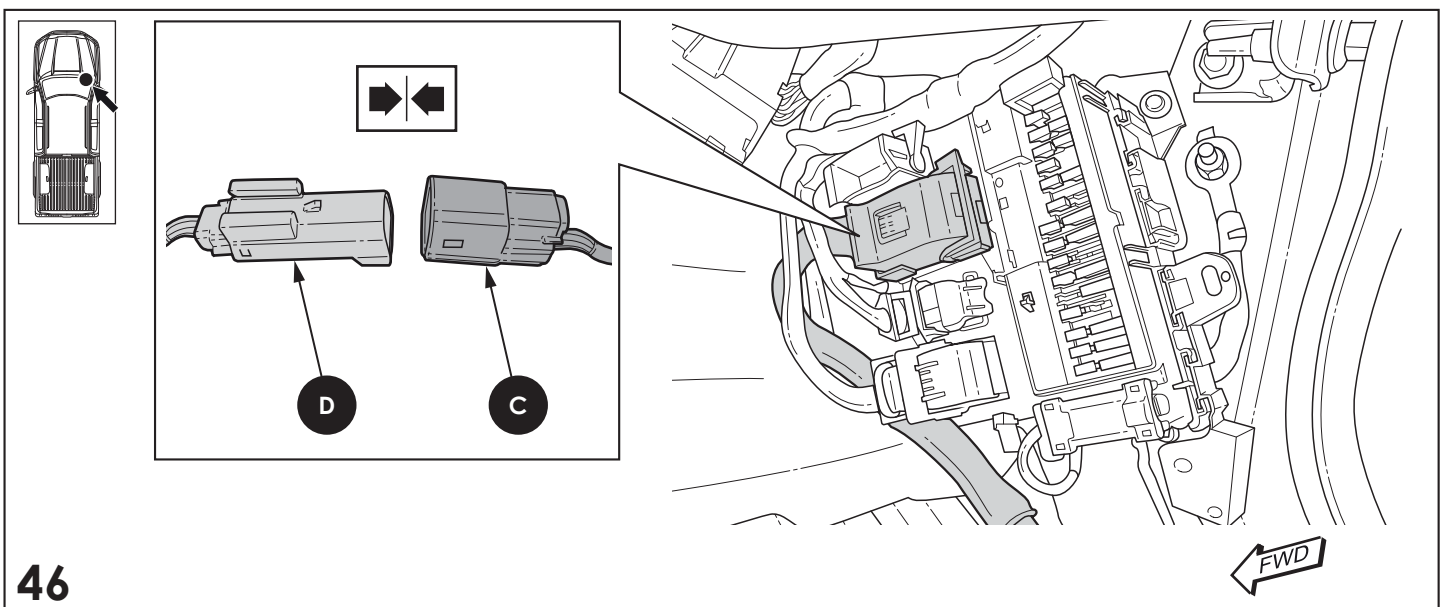
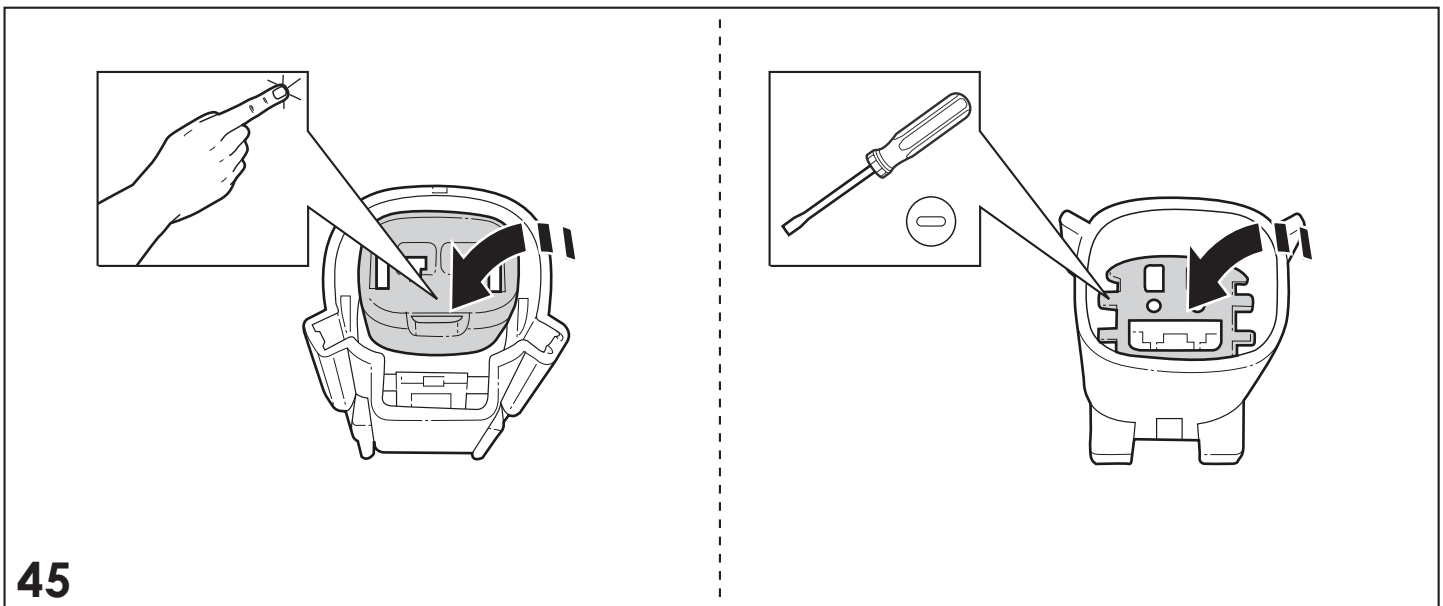
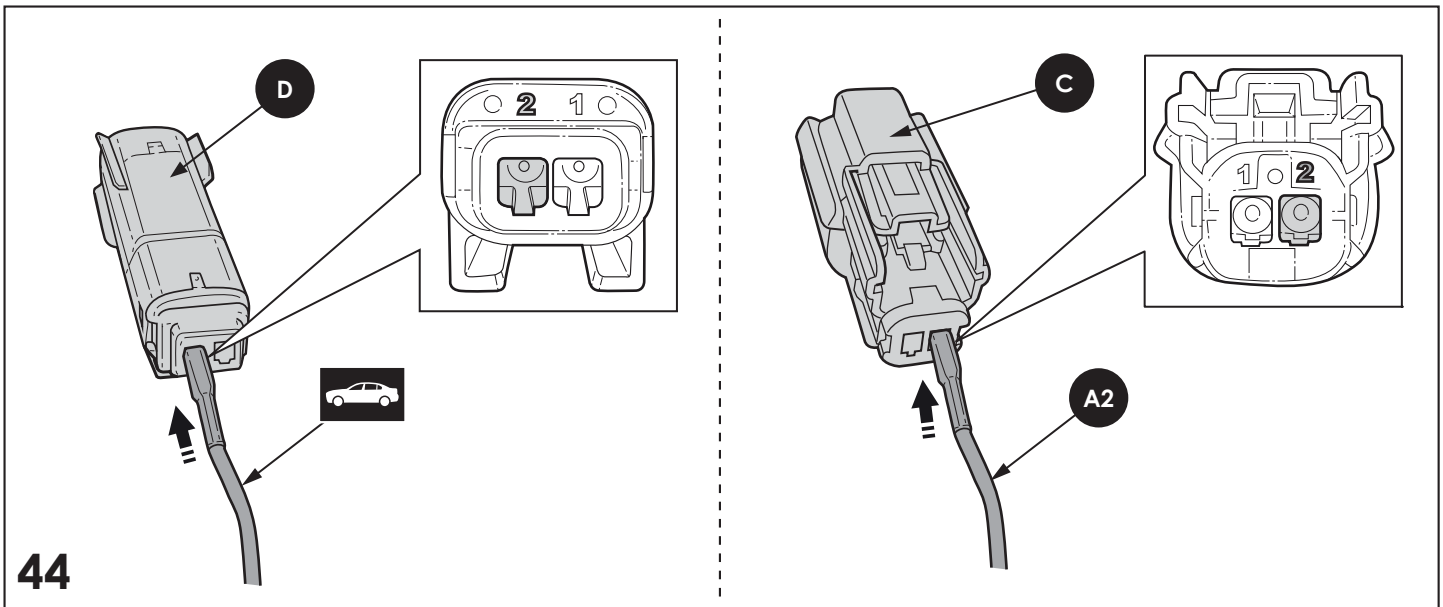
- EN** MY21-23, FOLLOW STEPS 41 THROUGH 48
MY24+, FOLLOW STEPS 49 THROUGH 56
- FR** MY21-23, SUIVEZ LES ÉTAPES 41 À 48
MY24+, SIGA LOS PASOS 41 AL 48
- ES** MY21-23, SUIVEZ LES ÉTAPES 49 À 56
MY24+, SIGA LOS PASOS 49 AL 56

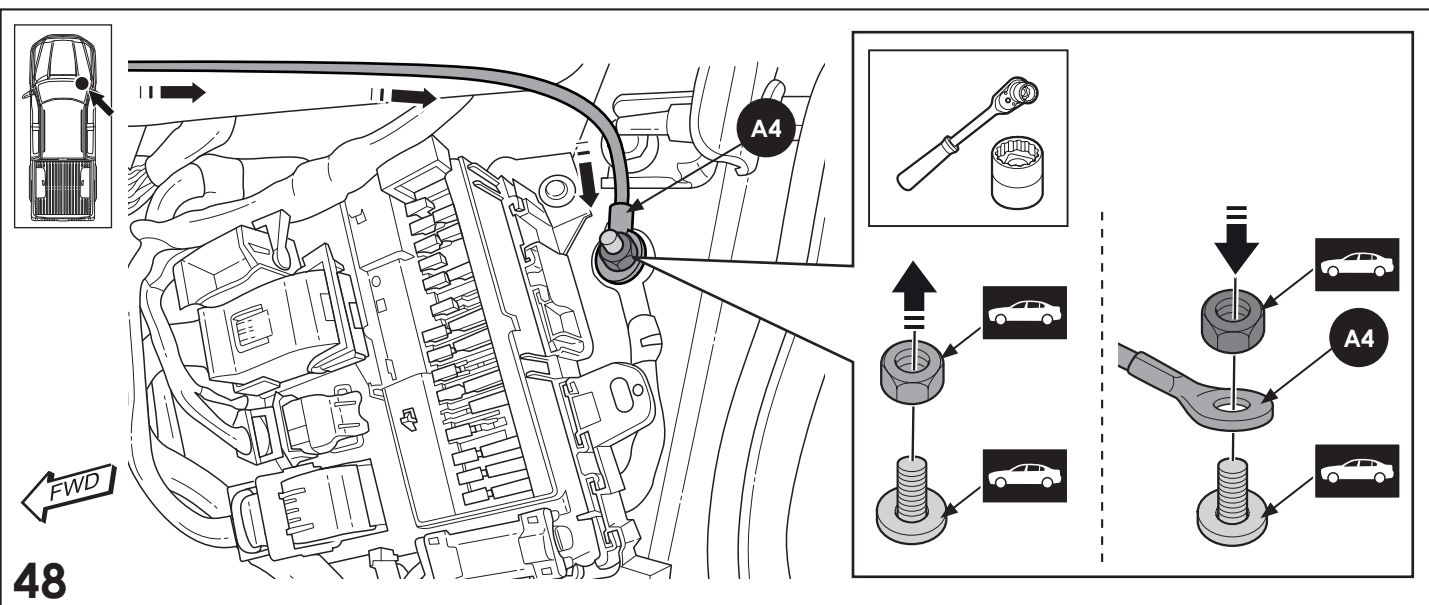
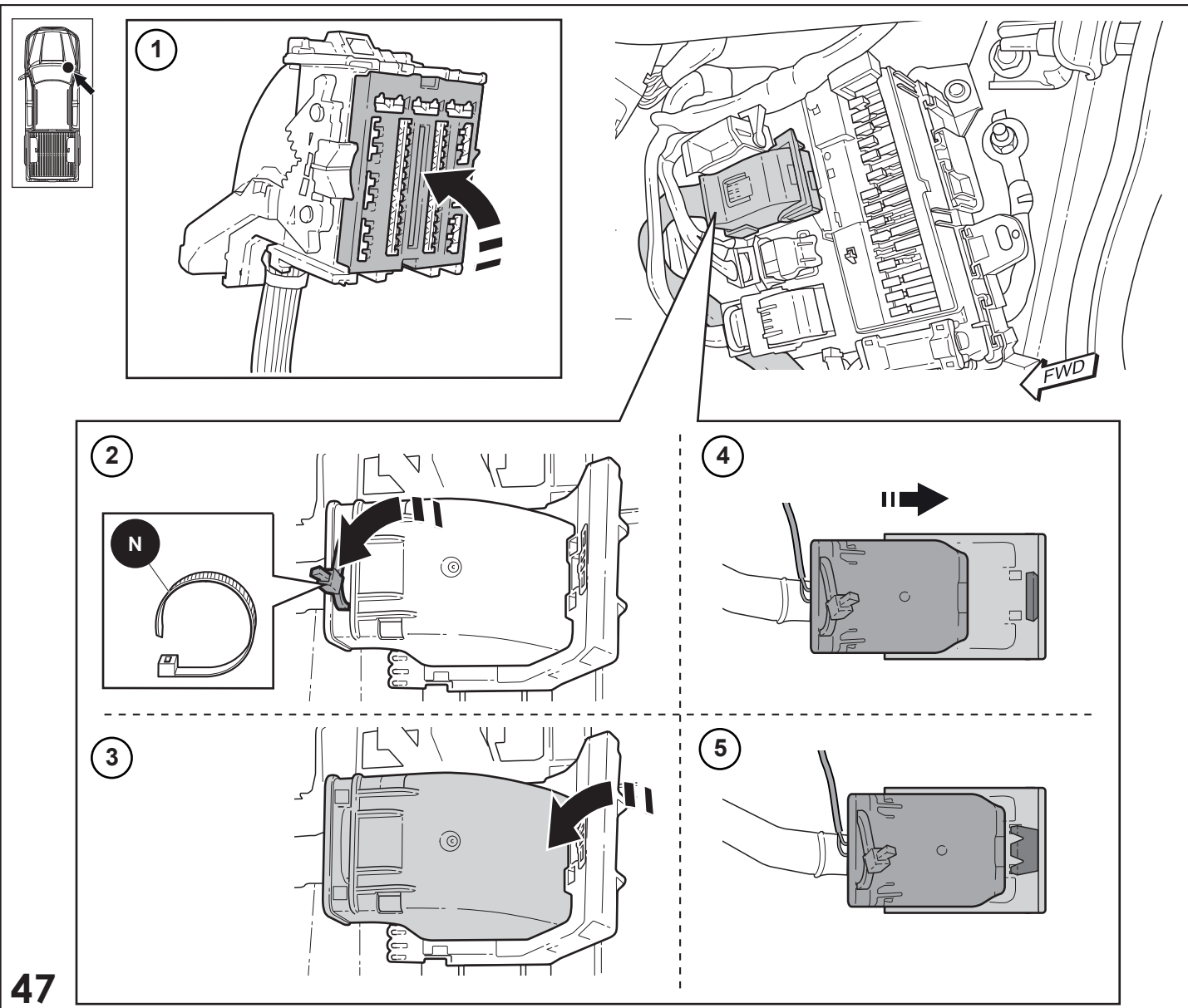
40

MY21-23

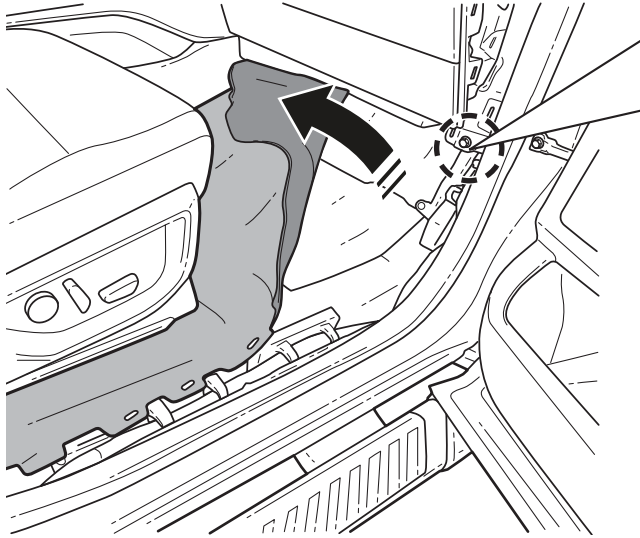
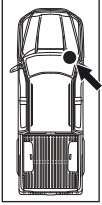




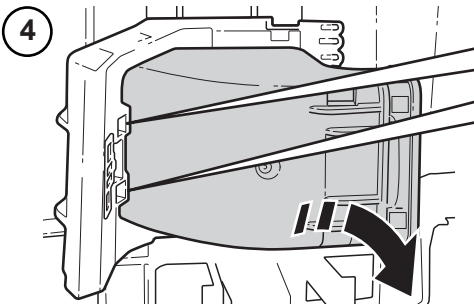
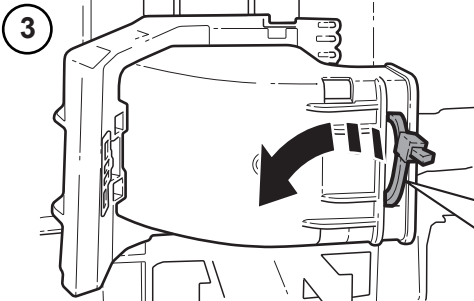
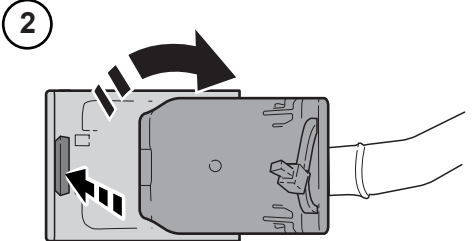
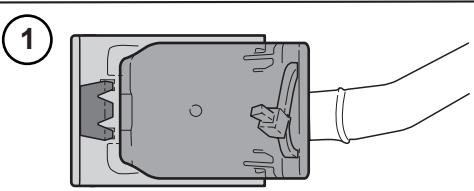
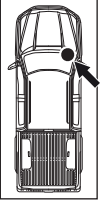
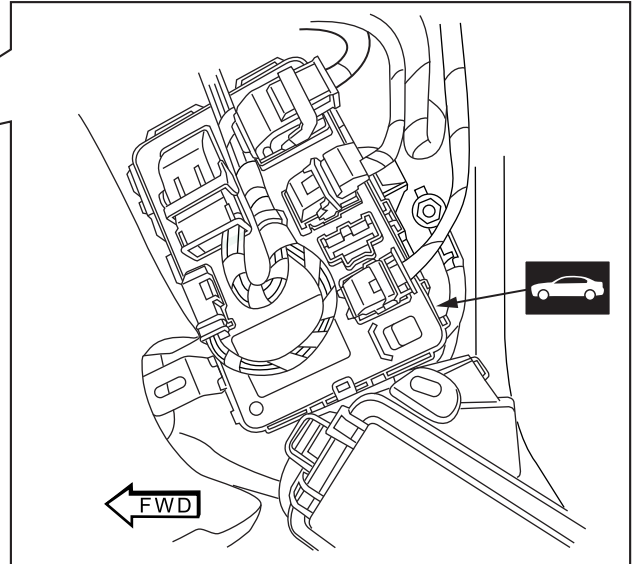




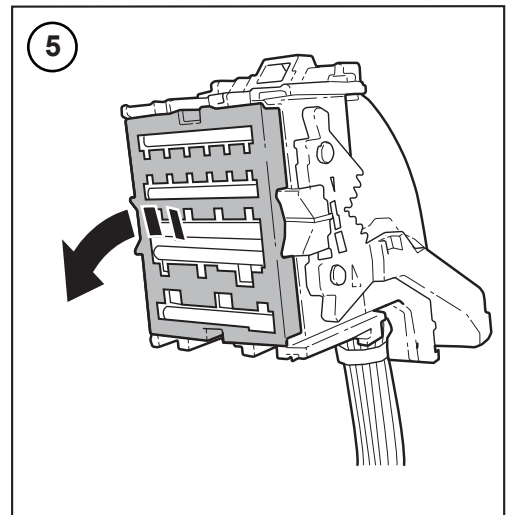
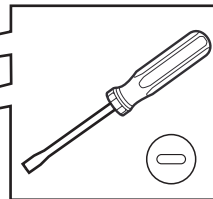
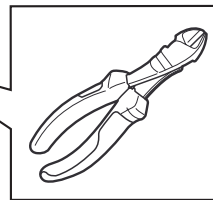
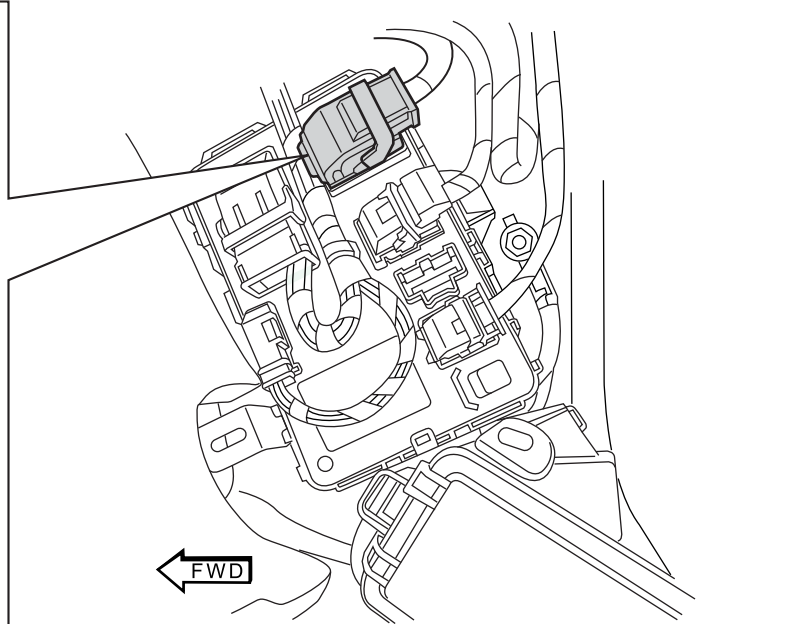
MY24+

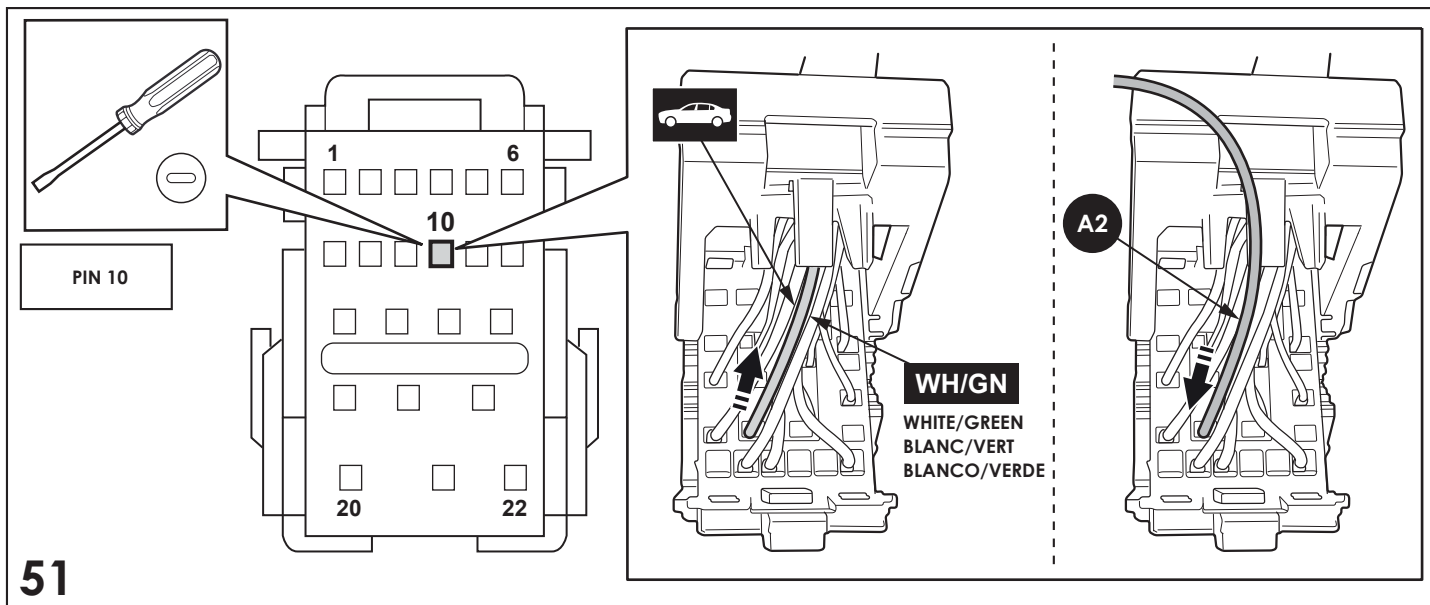


49

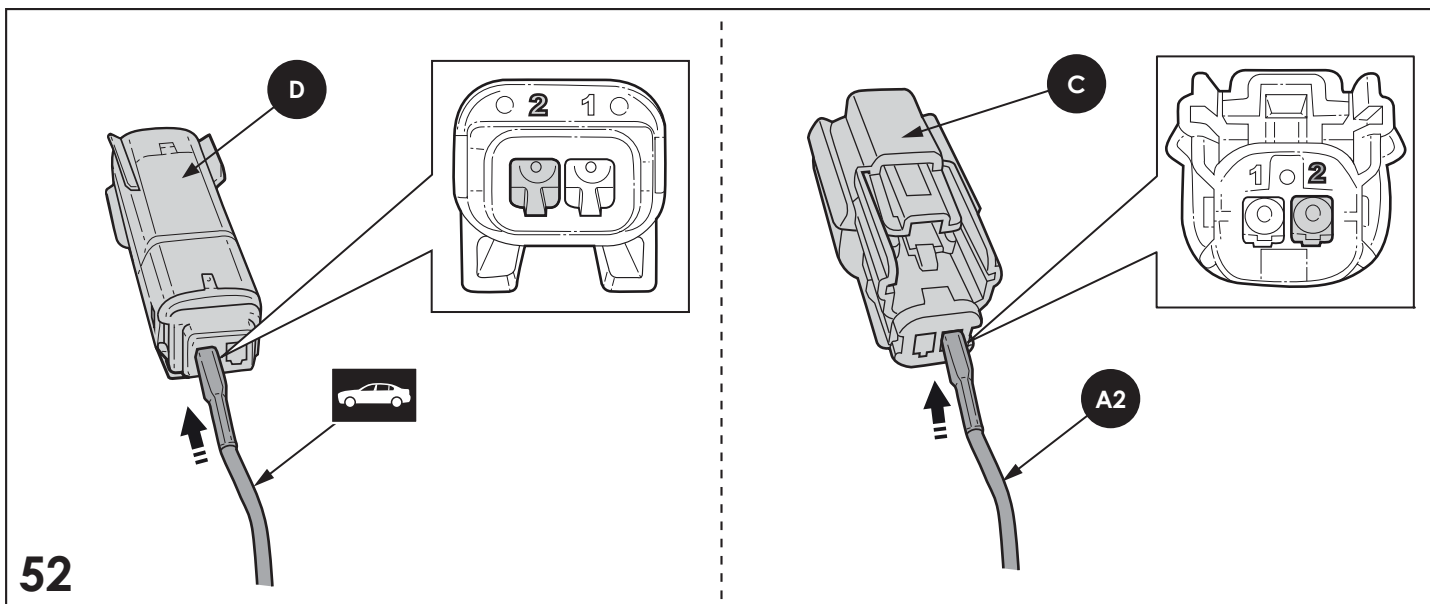


50

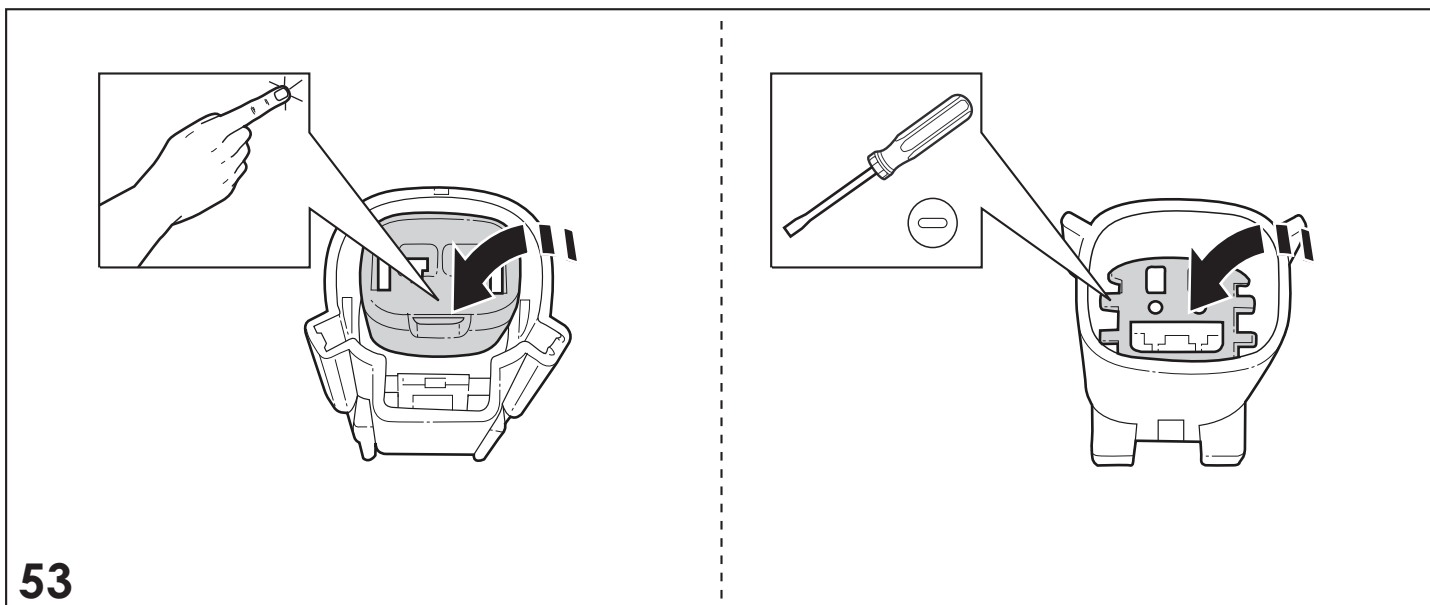




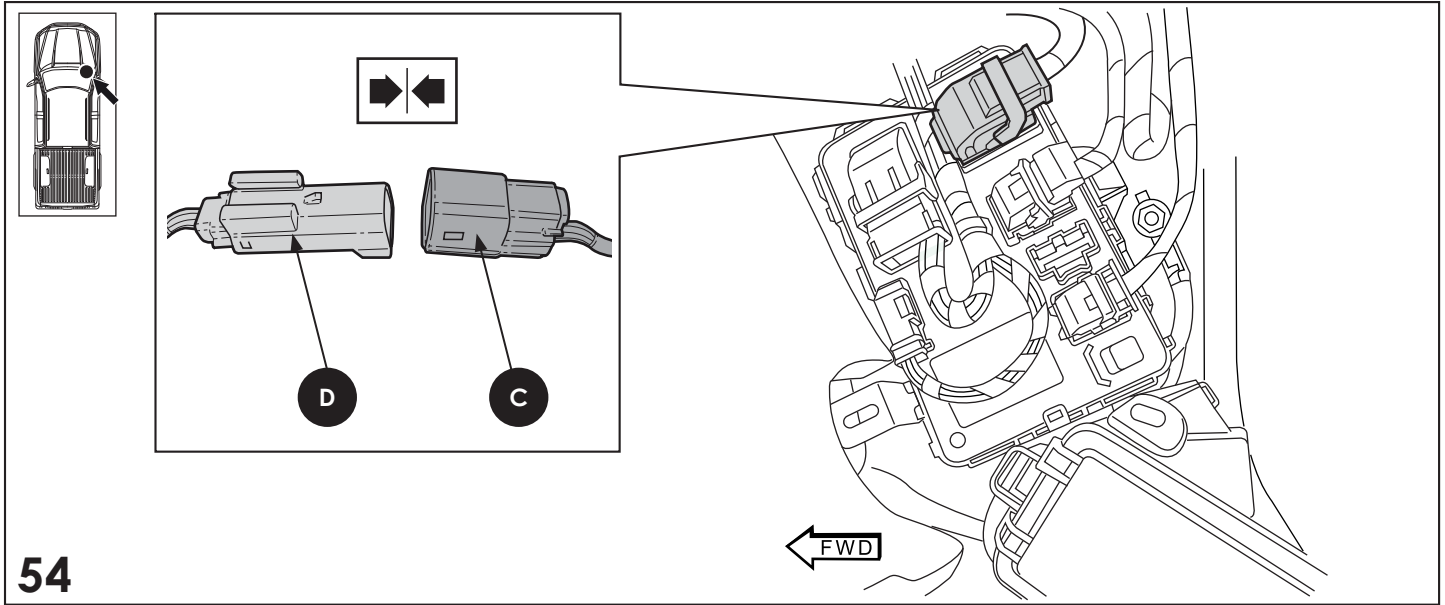
51



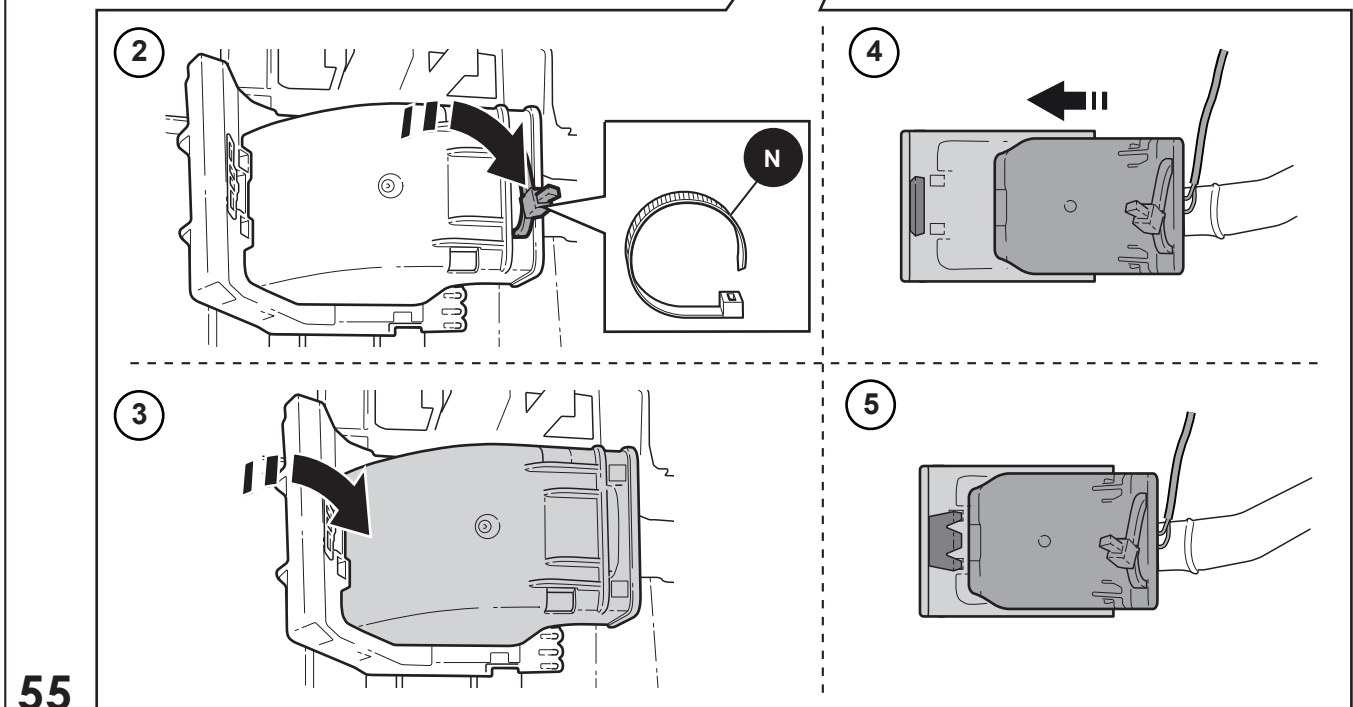
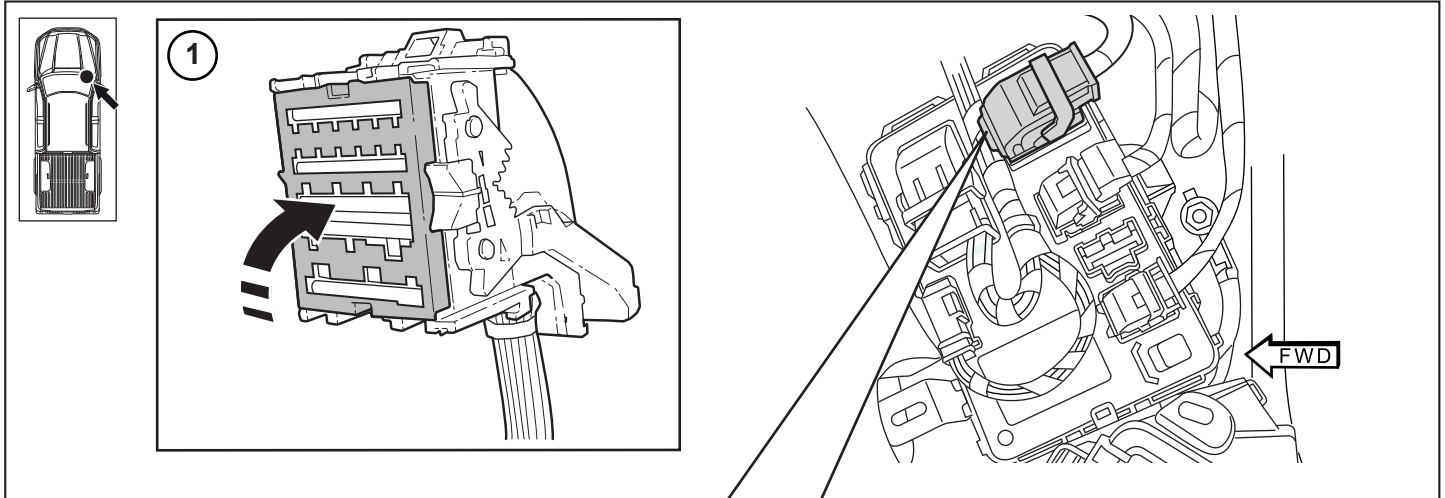
52



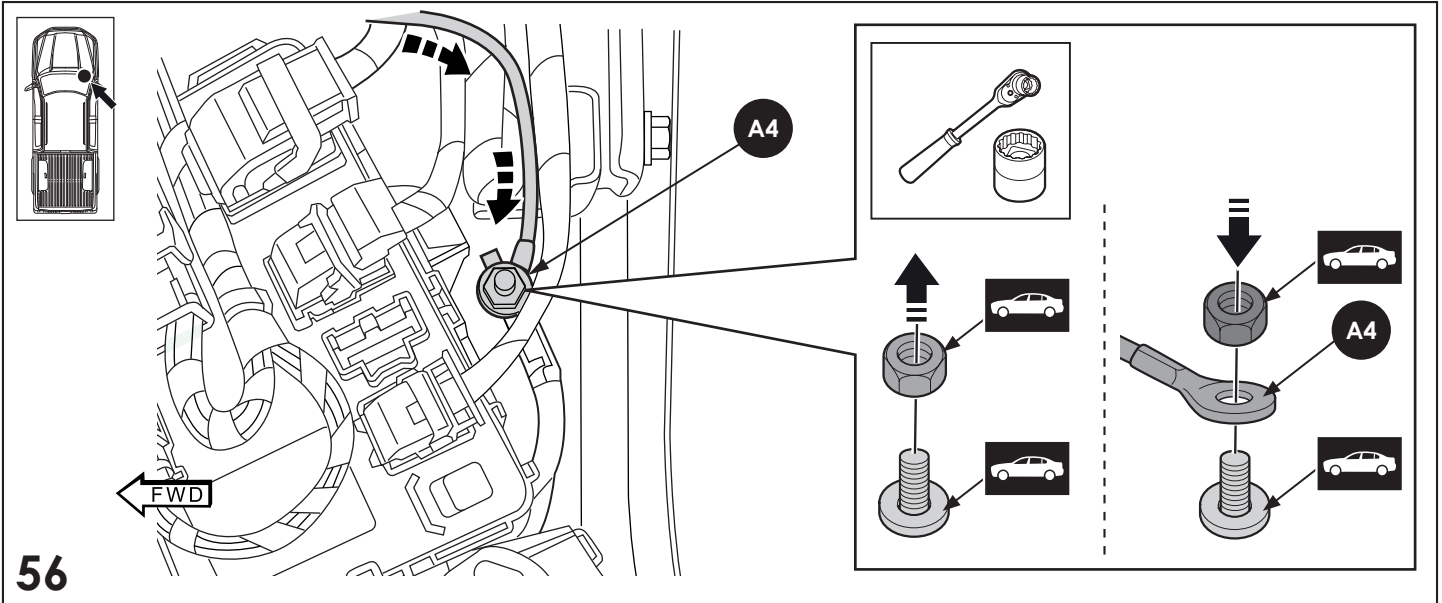
53



54

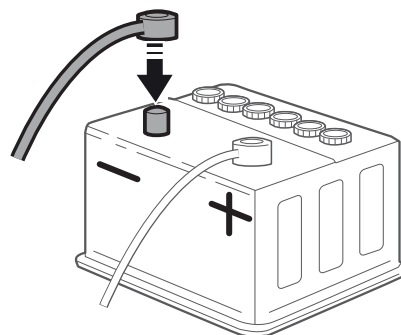


55



- EN** Reverse Steps 31 - 33 and 38 - 39 to reassemble all vehicle components.
- FR** Inversez les étapes 31 à 33 et 38 à 39 pour réassembler tous les composants du véhicule.
- ES** Invierta los pasos 31 - 33 y 38 - 39 para volver a ensamblar todos los componentes del vehículo.

57



58



LIMITED WARRANTY

All Ford Part numbers provided by Lumen North America, Inc. are warranted to be free from defects in materials or workmanship on products properly installed per the installation instructions provided with the product. This warranty covers repair or replacement of any defective product at no charge during the applicable warranty period listed below. Labor for replacement or service of defective product is not paid or reimbursed by Lumen North America, Inc.

WARRANTY PERIOD		
	USA	OUTSIDE USA
Product which appears on New Vehicle Monroney Label (Window Sticker)	Coverage which matches new vehicle warranty: Ford - 3 years or 36,000 Miles whichever comes first; Lincoln - 4 years or 50,000 miles whichever comes first	Coverage which matches new vehicle warranty: Ford - 3 years or 60,000 kilometers whichever comes first; Lincoln - 4 years or 80,000 kilometers whichever comes first
Part Purchased and installed during or after the original vehicle warranty	Whichever of the following options which provides the greater benefit to the customer: 1) 2 Years / unlimited Miles 2) The remainder of the new vehicle warranty	Whichever of the following options which provides the greater benefit to the customer: 1) 2 Years / unlimited kilometers 2) The remainder of the new vehicle warranty

This limited warranty does not cover any damage, defect or malfunction caused by misuse, abuse, accident, improper installation, modification or improper or lack of maintenance. Incidental and consequential damages are not recoverable under this warranty. This warranty offers you specific legal rights. You may have additional or other rights as which vary from state to state or province to province.

If you experience a warranty issue with this product please visit your Ford Dealer. If the repair is covered by the warranty above and completed by the dealership, labor is also covered by Ford - Ford Warranty and Policy - Section 3.

Please note that Lumen North America, Inc has replacement component parts available to assist consumers and dealers to resolve warranty and non-warranty issues as quickly as possible.

Note to Dealer: Ford dealers should contact Lumen North America, Inc. by phone at 248-289-6100 and ask to speak to the warranty administrator OR contact by email at: warranty@lumen-na.com