

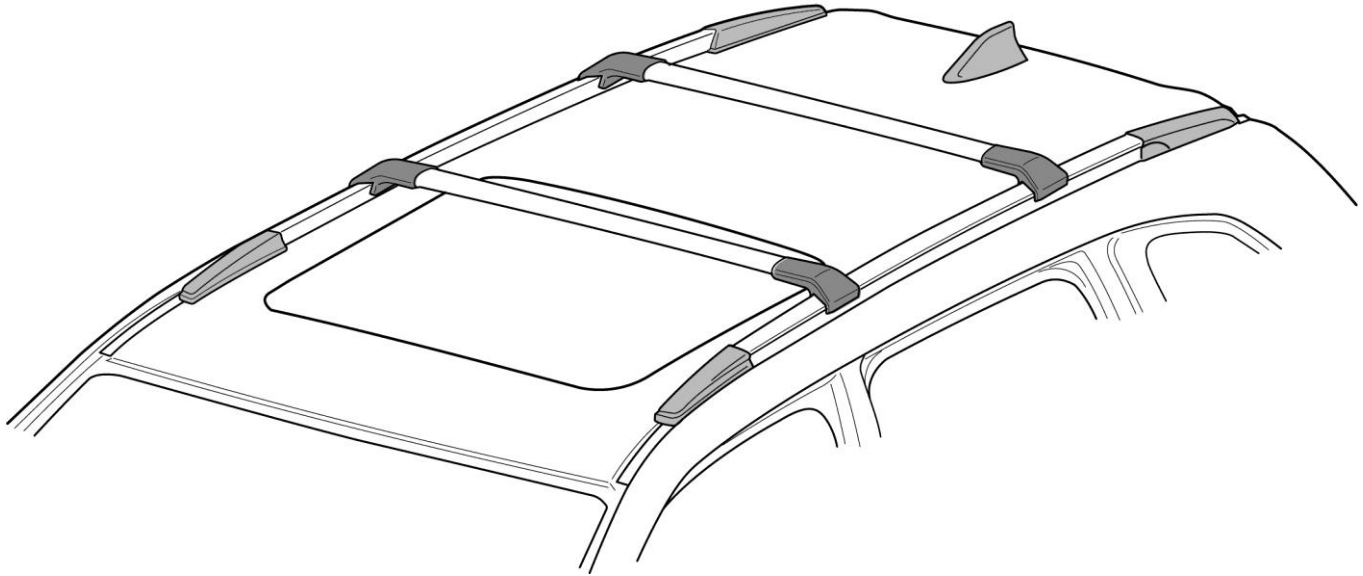


SUBARU

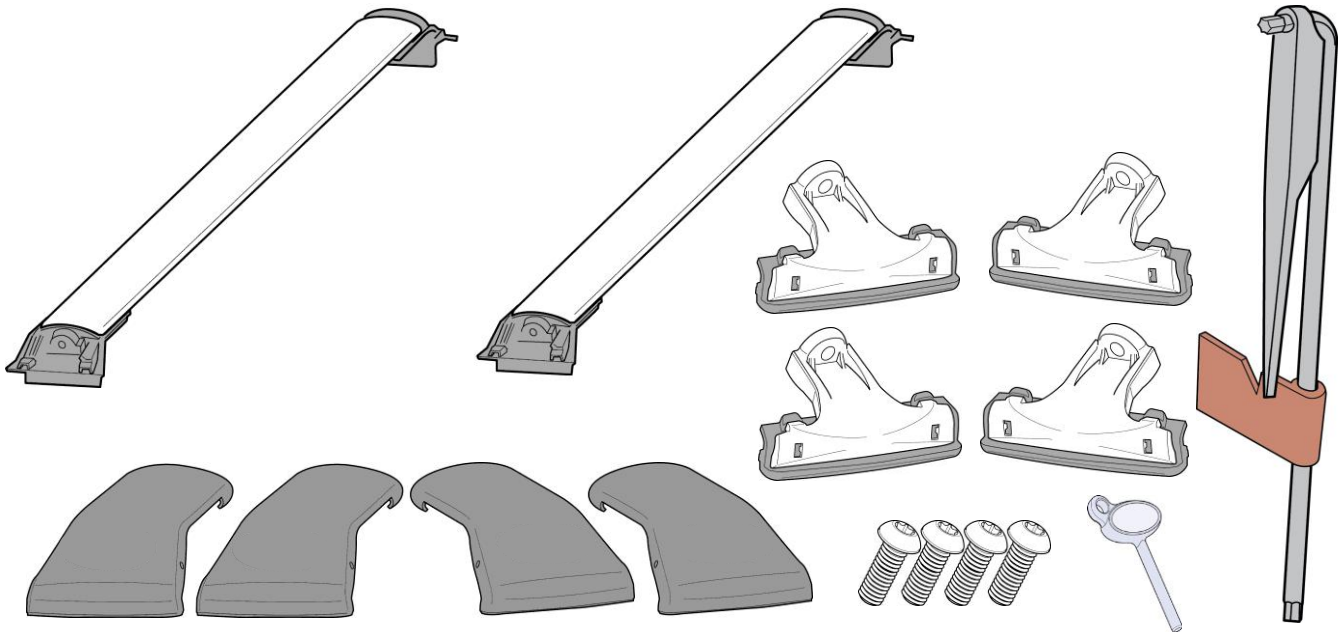
PART NUMBER: SOA843X048

INSTALLATION INSTRUCTIONS

DESCRIPTION: Forester – Low Profile Adjustable Crossbar Kit



KIT CONTENTS



MEANING OF CHARACTERS:



: CAUTION – A process that must be carefully observed in order to reduce the risk of damage to the accessory/vehicle and to ensure a quality installation.



: STOP – Damage to the vehicle may occur. Do not proceed until process has been complied with.



: TOOLS & EQUIPMENT – Specific tools and equipment recommended for this process.

PART NUMBER:
SOA843X048

ISSUE
00

5/19/2023

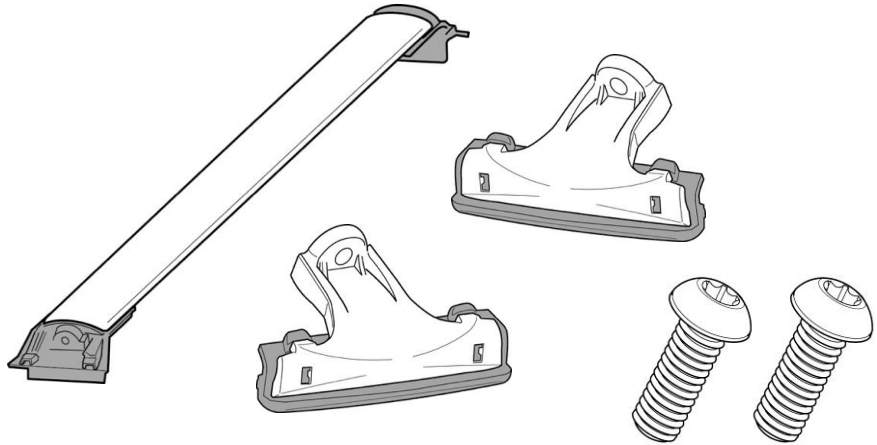
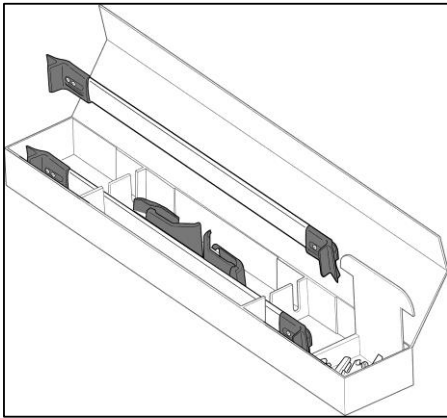
SUBARU OF AMERICA

PAGE 1/3

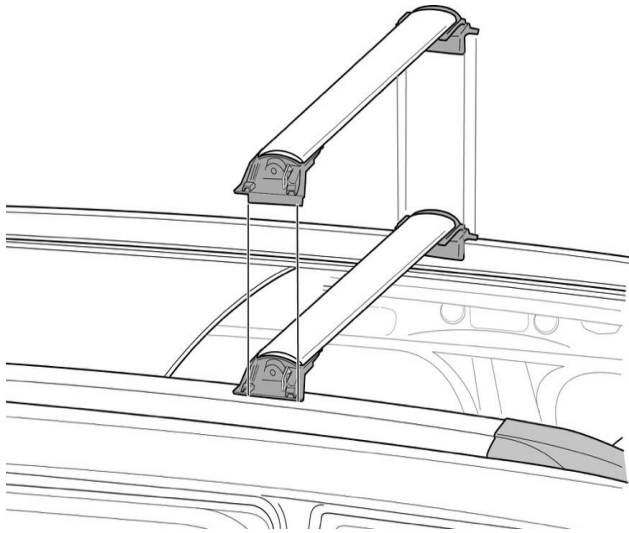
INSTALLATION INSTRUCTIONS

DESCRIPTION: Forester – Low Profile Adjustable Crossbar Kit

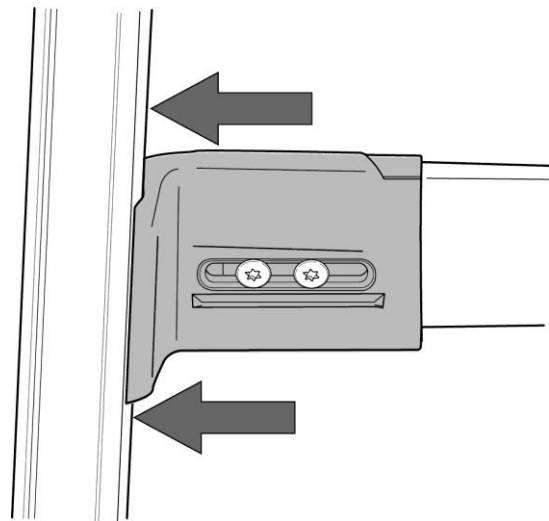
1 Remove front crossbar, 1 right and 1 left clamp, 2 clamp bolts, and T27 torque tool from the packaging.



2 Place the front crossbar onto the roof rails. Orient using the front arrow molded on the underside of the crossbar.

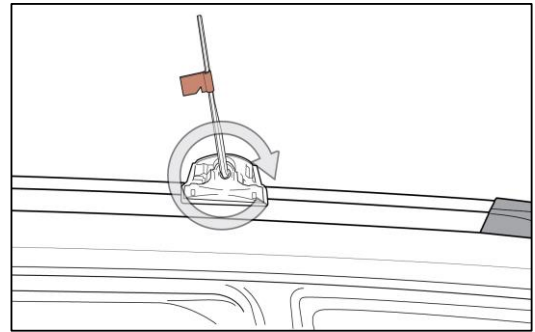
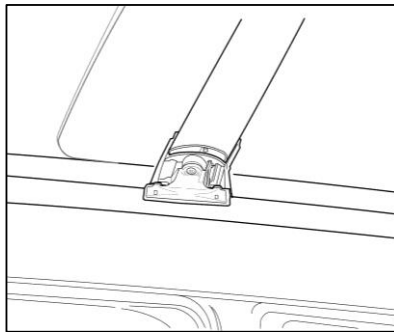
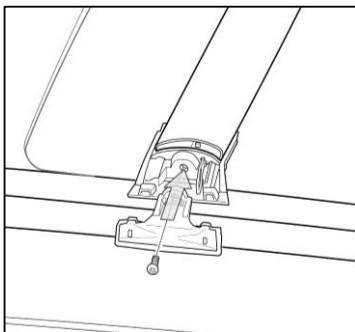


3 Adjust by sliding left stanchion outward to press against the left roof rail for a snug fit.



4 Install right clamp using clamp bolt and tighten to 9Nm using T27 torque tool.

Torque: 9Nm ± 0.5Nm
79.7 in-lb. ± 5.0 in-lb.



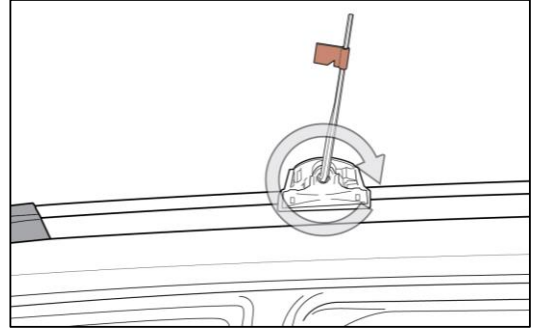
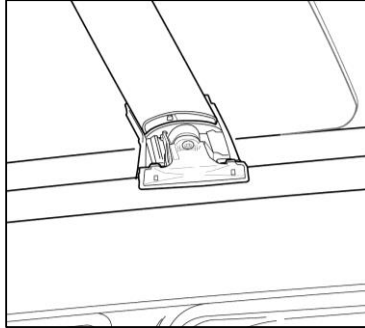
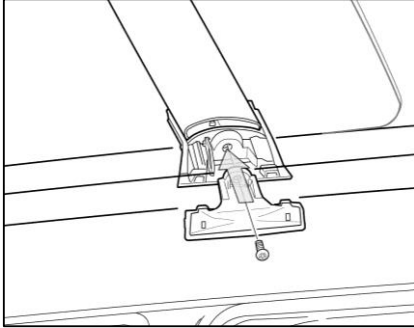


INSTALLATION INSTRUCTIONS

DESCRIPTION: Forester – Low Profile Adjustable Crossbar Kit

5 Install left clamp using clamp bolt and tighten to 9Nm using T27 torque tool.

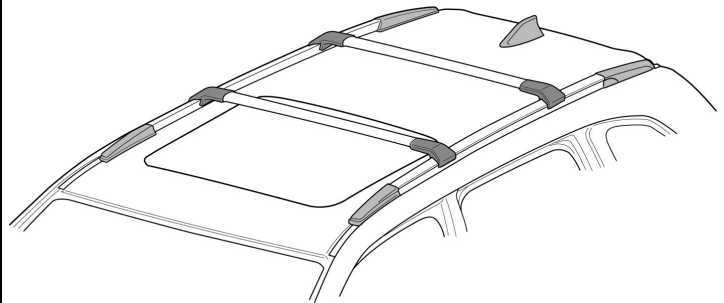
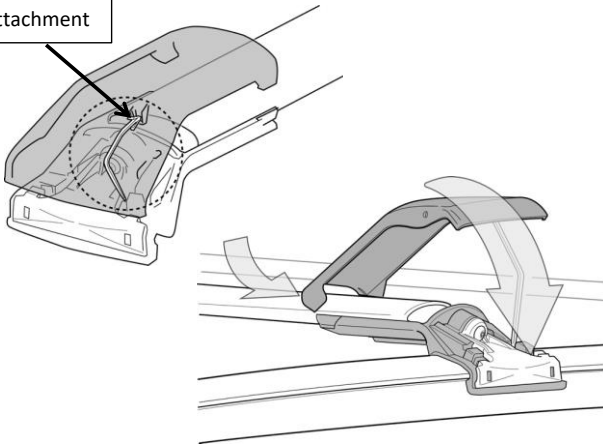
Torque: 9Nm ± 0.5Nm
79.7 in-lb. ± 5.0 in-lb.



6 Attach tethers from the stanchions to the covers. Lower the end cap covers onto the crossbar and slide outward to engage the tangs. Rotate downwards to fully snap the covers into position.

7 Repeat steps (1-6) for the rear crossbar. Verify that both crossbars have a firm grip with the roof rail by trying to move each crossbar where each part is attached to the roof rails.

Tether Attachment



8 To remove stanchion cover, insert cover removal tool into the hole on rear of cover. Lift cover while pushing in removal tool and cover should release from the stanchion.

