



FORD PERFORMANCE

M-18000-F15B F-150 Off Road Suspension Leveling Kit

NO PART OF THIS DOCUMENT MAY BE REPRODUCED WITHOUT PRIOR AGREEMENT AND WRITTEN PERMISSION OF
FORD PERFORMANCE PARTS

Please visit www.performanceparts.ford.com for the most current instruction and warranty information.

**PLEASE READ ALL OF THE FOLLOWING INSTRUCTIONS CAREFULLY
PRIOR TO INSTALLATION. AT ANY TIME YOU DO NOT UNDERSTAND
THE INSTRUCTIONS, PLEASE CALL THE FORD PERFORMANCE
TECHLINE AT 1-800-367-3788**

Kit includes:

- 2 Assembled Front Coil-Over Shock Assemblies
- 2 Rear Shock Assemblies w/ Remote Reservoir Brackets
- 2 Half Shaft Nut - N802827-S440
- 2 Stabilizer Bar Link Nut - W520215-S440
- 2 Outer Tie Rod End Nut - W520215-S440
- 2 Front Upper Control Arm Ball Joint Nut - W717969-S440
- 4 Rear Shock Bolt – W506545-S439
- 2 Rear Upper Shock Nut – W529214-S440
- 2 Rear Lower Shock Nut – W716771-S440

Sections:

- a. Vehicle Lifting Points
- b. Front Assembly Removal
- c. Front Assembly Installation
- d. Rear Assembly Removal
- e. Rear Assembly Installation
- f. Tire and Wheel Installation
- g. Wheel Alignment
- h. Cruise Control Radar Alignment
- i. Headlight and Fog Light Aim Adjustment
- j. Fastener Torque Specifications

Factory Ford shop manuals are available from Helm Publications, 1-800-782-4356



FORD PERFORMANCE

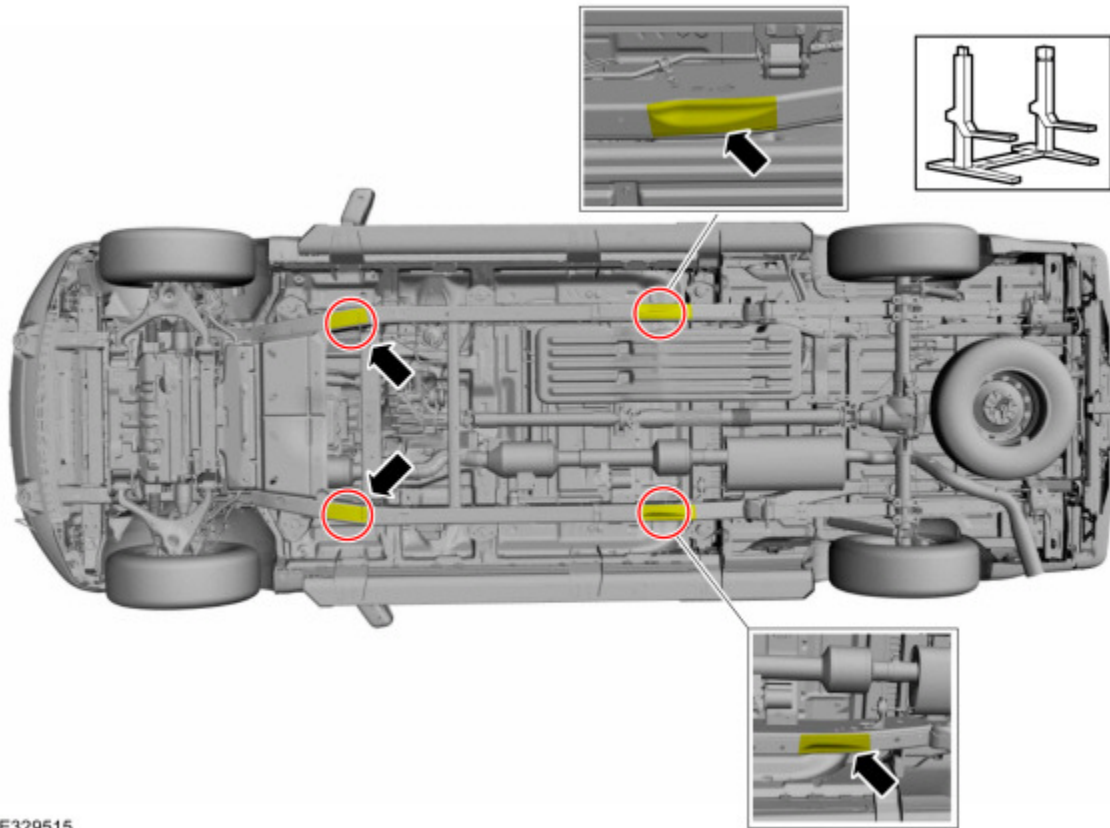
M-18000-F15B F-150 Off Road Suspension Leveling Kit

NO PART OF THIS DOCUMENT MAY BE REPRODUCED WITHOUT PRIOR AGREEMENT AND WRITTEN PERMISSION OF FORD PERFORMANCE PARTS

Vehicle Lifting Points

With the vehicle in NEUTRAL, position it on a hoist.

Refer to: Jacking and Lifting - Overview (100-02 Jacking and Lifting, Description and Operation).



E329515

Refer to the picture above to find the appropriate jacking points : Note this works for all F150 vehicles, Hybrid, 2WD or 4WD.

Factory Ford shop manuals are available from Helm Publications, 1-800-782-4356



FORD PERFORMANCE

M-18000-F15B F-150 Off Road Suspension Leveling Kit

NO PART OF THIS DOCUMENT MAY BE REPRODUCED WITHOUT PRIOR AGREEMENT AND WRITTEN PERMISSION OF FORD PERFORMANCE PARTS

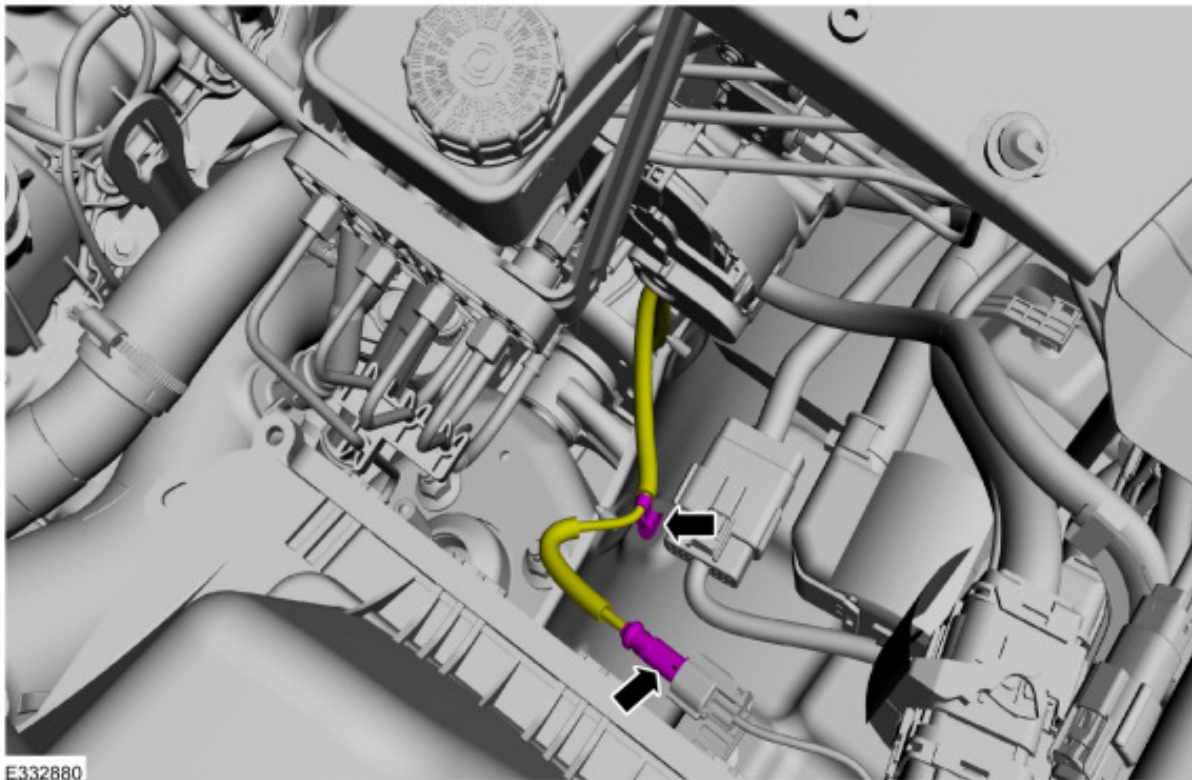
Front Shock Removal

NOTICE: Suspension fasteners are critical parts that affect the performance of vital components and systems. Failure of these fasteners may result in major service expense. Use the same or equivalent parts if replacement is necessary. Do not use a replacement part of lesser quality or substitute design. Tighten fasteners as specified.

Remove wheel and tire

NOTE: *The wheel speed sensor electrical connector is located in the engine compartment secured to the fender apron.*

Disconnect the wheel speed sensor electrical connector and detach the harness retainer.



Factory Ford shop manuals are available from Helm Publications, 1-800-782-4356



FORD PERFORMANCE

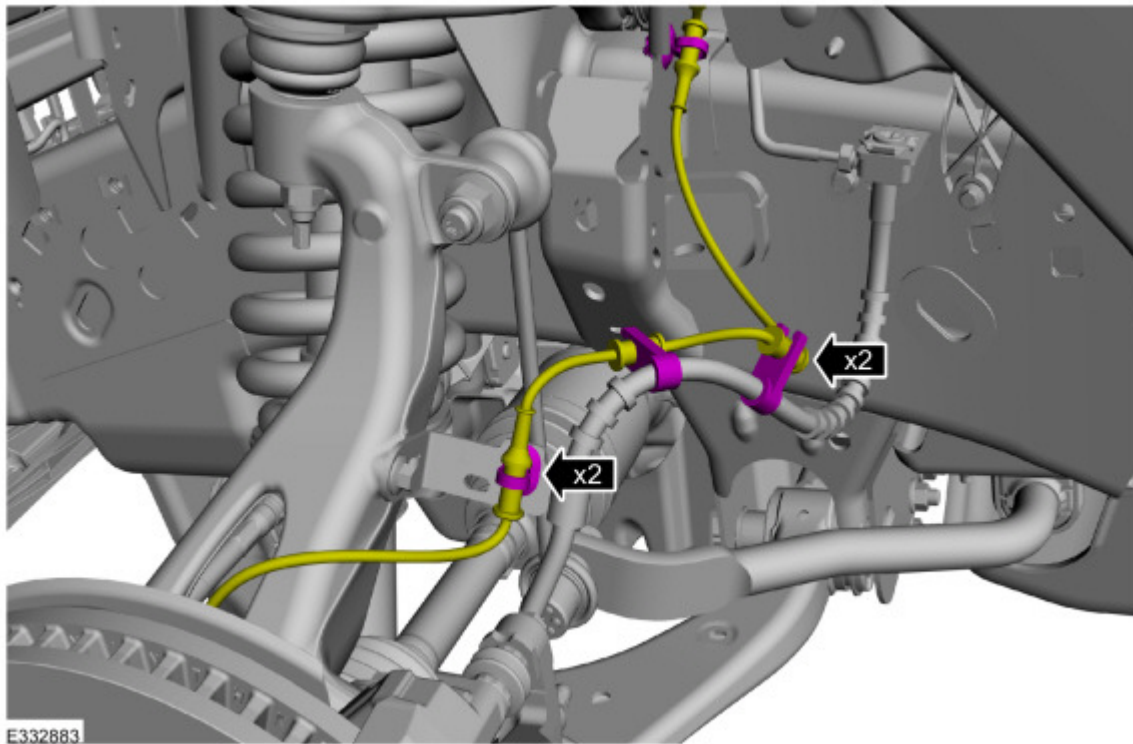
M-18000-F15B F-150 Off Road Suspension Leveling Kit

NO PART OF THIS DOCUMENT MAY BE REPRODUCED WITHOUT PRIOR AGREEMENT AND WRITTEN PERMISSION OF FORD PERFORMANCE PARTS

Remove the wheel speed sensor wire bracket bolt.

Unclip the wheel speed sensor wire from the brake hose.

Unclip the 2 wheel speed sensor wire retainers and position aside the wheel speed sensor wire.



Factory Ford shop manuals are available from Helm Publications, 1-800-782-4356

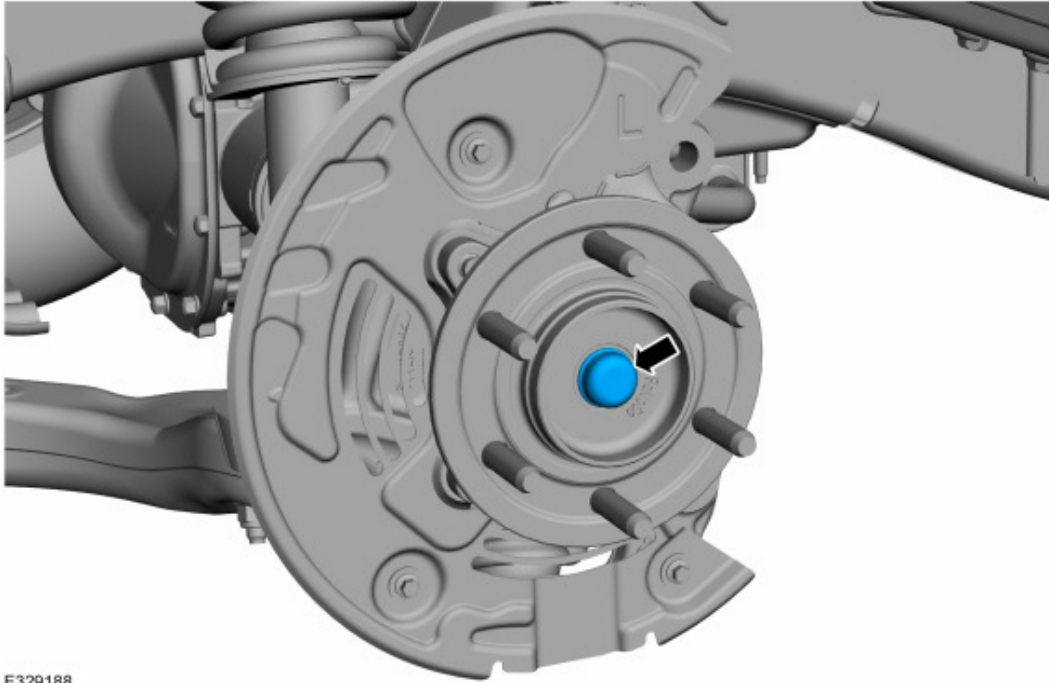


FORD PERFORMANCE

M-18000-F15B F-150 Off Road Suspension Leveling Kit

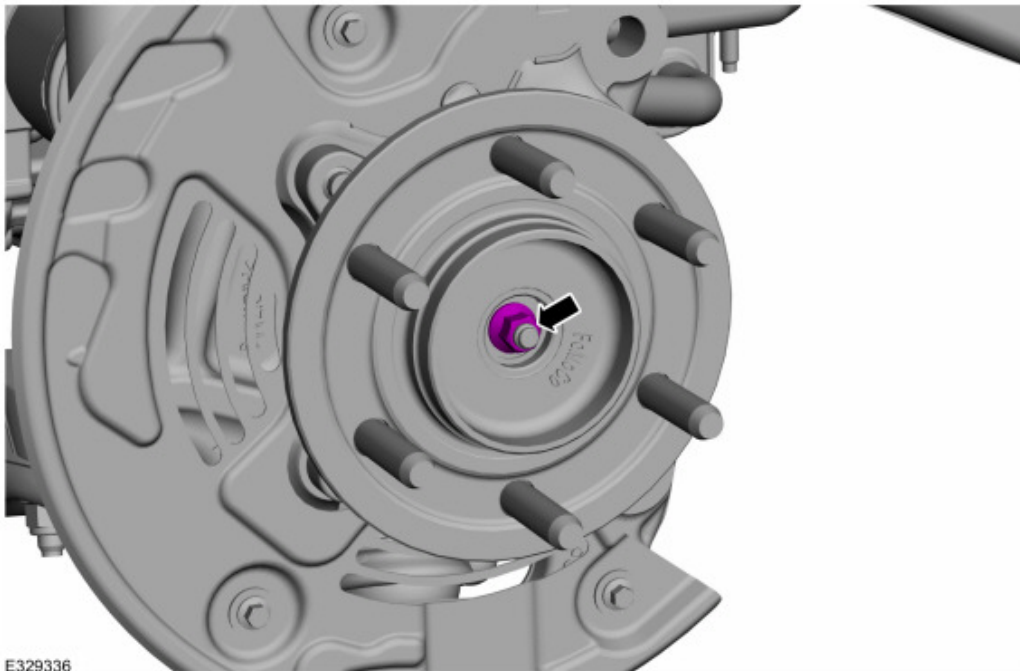
NO PART OF THIS DOCUMENT MAY BE REPRODUCED WITHOUT PRIOR AGREEMENT AND WRITTEN PERMISSION OF FORD PERFORMANCE PARTS

Remove the wheel hub nut dust cap.



E329188

Remove and discard the wheel hub nut.



E329336

Factory Ford shop manuals are available from Helm Publications, 1-800-782-4356



FORD PERFORMANCE

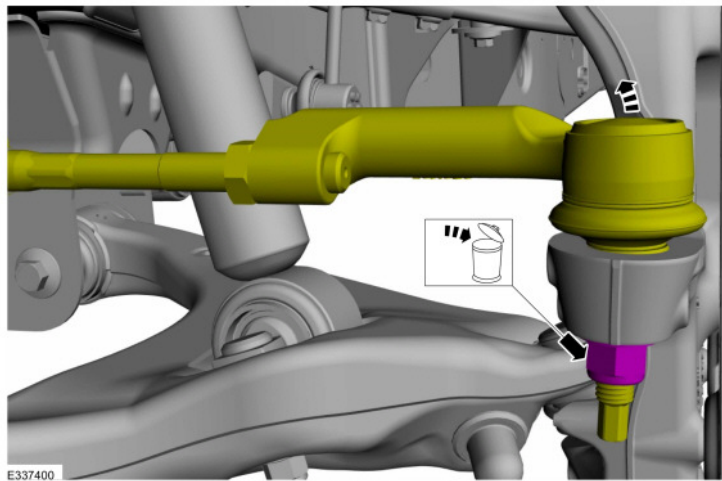
M-18000-F15B F-150 Off Road Suspension Leveling Kit

NO PART OF THIS DOCUMENT MAY BE REPRODUCED WITHOUT PRIOR AGREEMENT AND WRITTEN PERMISSION OF FORD PERFORMANCE PARTS

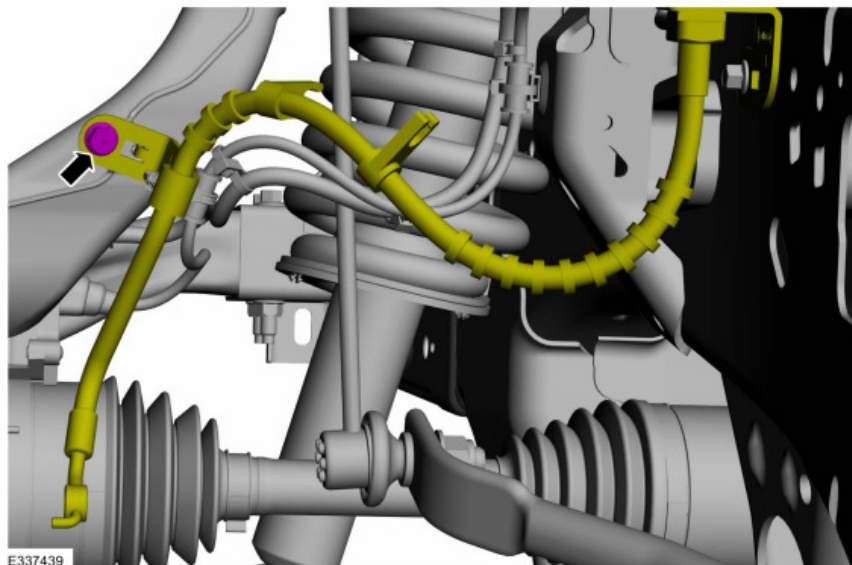
NOTICE: Do not use a hammer to separate the outer tie-rod end from the wheel knuckle or damage to the wheel knuckle may result.

NOTICE: Use care when installing the tie rod separator or damage to the outer tie-rod end boot may occur.

Remove and discard the tie rod end nut and separate the tie rod end from the wheel knuckle.
Use Tie Rod End Remover



Remove the brake hose bracket bolt and position the brake hose bracket aside.



Factory Ford shop manuals are available from Helm Publications, 1-800-782-4356

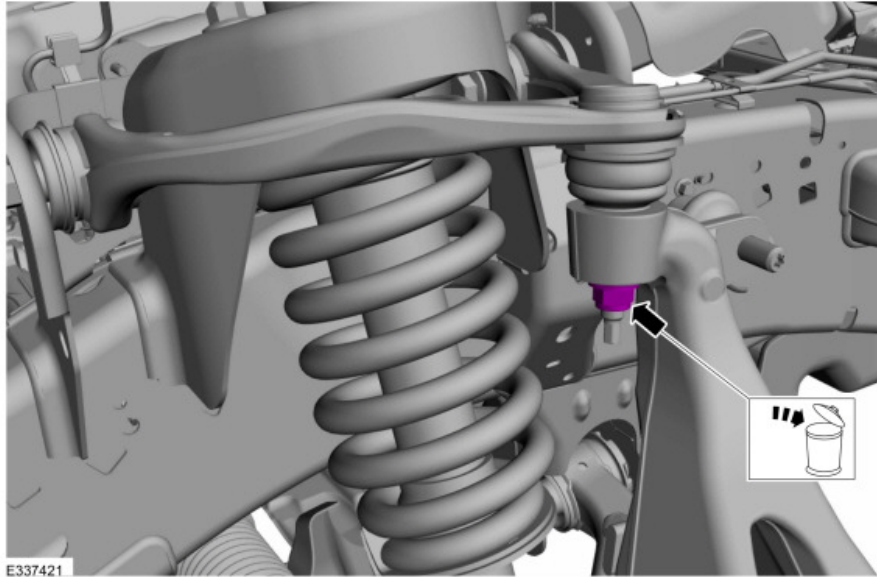


FORD PERFORMANCE

M-18000-F15B F-150 Off Road Suspension Leveling Kit

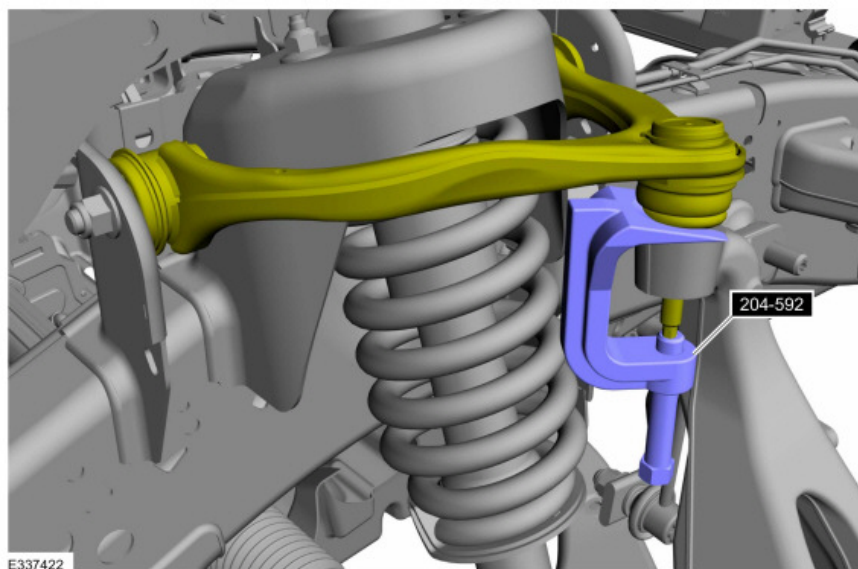
NO PART OF THIS DOCUMENT MAY BE REPRODUCED WITHOUT PRIOR AGREEMENT AND WRITTEN PERMISSION OF FORD PERFORMANCE PARTS

Loosen the upper ball joint nut. Do not remove completely.



NOTE: Be sure not to damage the ball joint boot when installing the Ball Joint Separator.

Separate the upper ball joint from the wheel knuckle.



Factory Ford shop manuals are available from Helm Publications, 1-800-782-4356

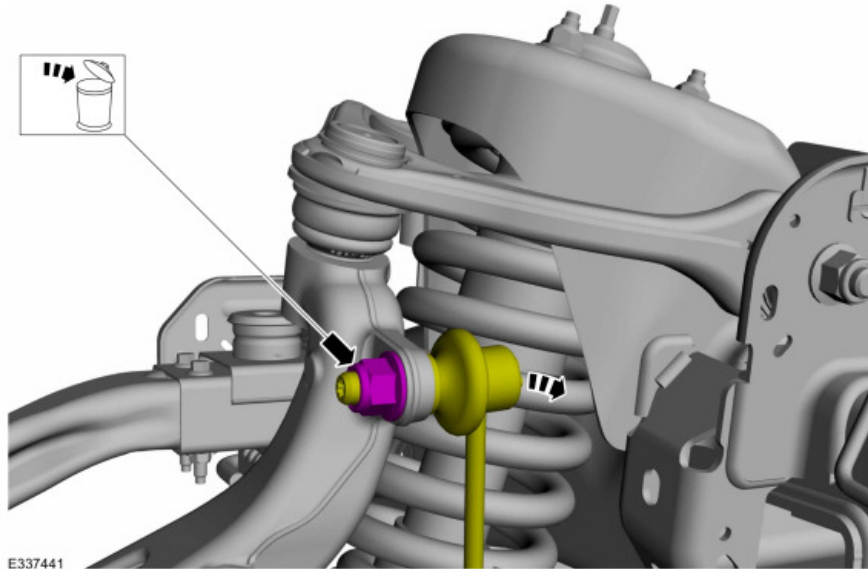


FORD PERFORMANCE

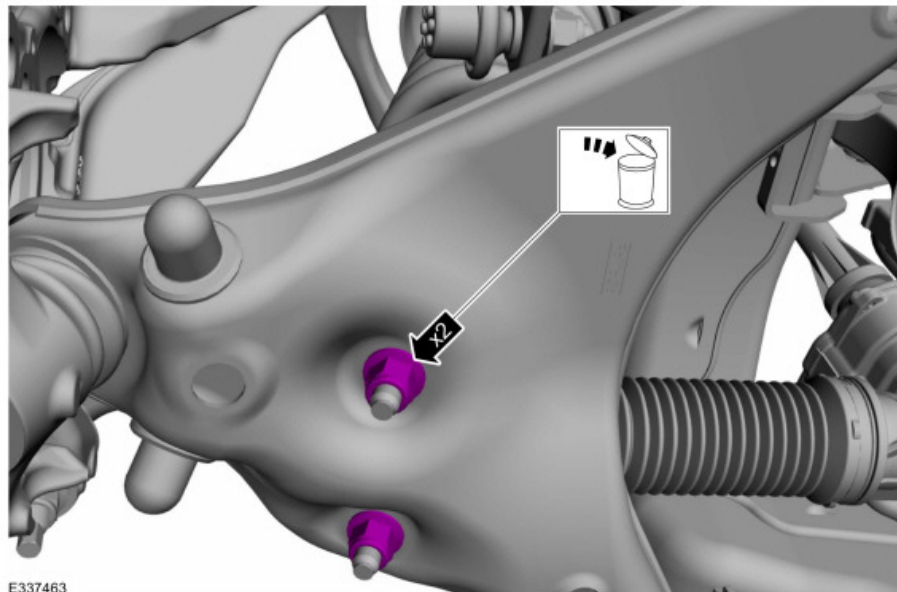
M-18000-F15B F-150 Off Road Suspension Leveling Kit

NO PART OF THIS DOCUMENT MAY BE REPRODUCED WITHOUT PRIOR AGREEMENT AND WRITTEN PERMISSION OF FORD PERFORMANCE PARTS

Remove and discard the front stabilizer bar link upper nut.



Remove and discard the 2 shock absorber and spring assembly lower nuts.



Factory Ford shop manuals are available from Helm Publications, 1-800-782-4356

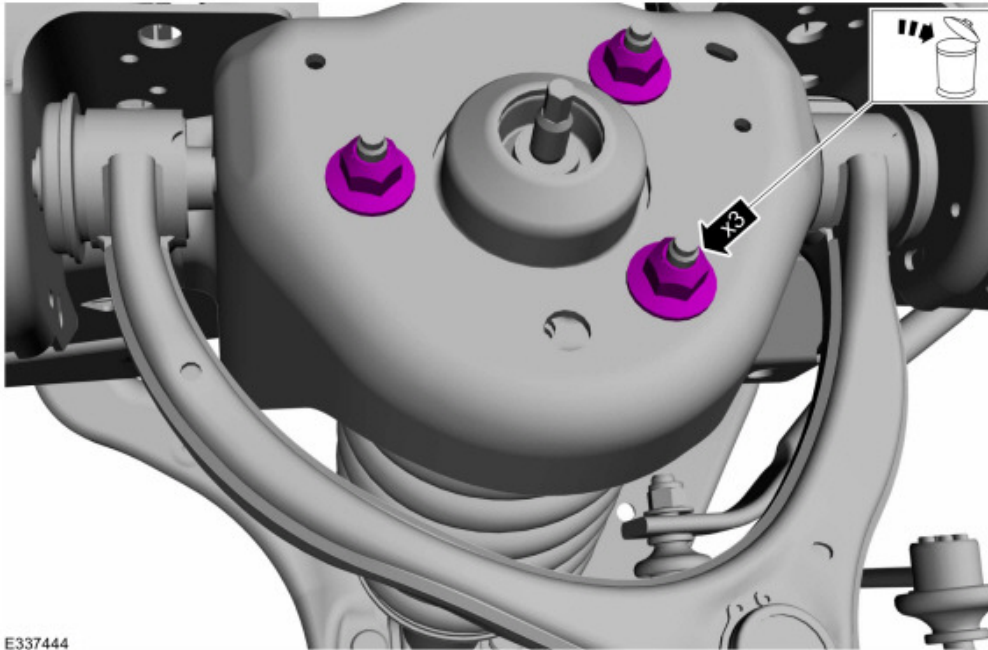


FORD PERFORMANCE

M-18000-F15B F-150 Off Road Suspension Leveling Kit

NO PART OF THIS DOCUMENT MAY BE REPRODUCED WITHOUT PRIOR AGREEMENT AND WRITTEN PERMISSION OF FORD PERFORMANCE PARTS

Remove and discard the 3 shock absorber and spring assembly upper nuts.



E337444

Prior to releasing the nut from the upper control arm ball joint completely, be sure to support the wheel knuckle so that it does not fall and cause damage. Disconnect upper control arm from the wheel knuckle.

Position the lower arm down to gain clearance for removing the shock absorber and spring assembly.

Factory Ford shop manuals are available from Helm Publications, 1-800-782-4356

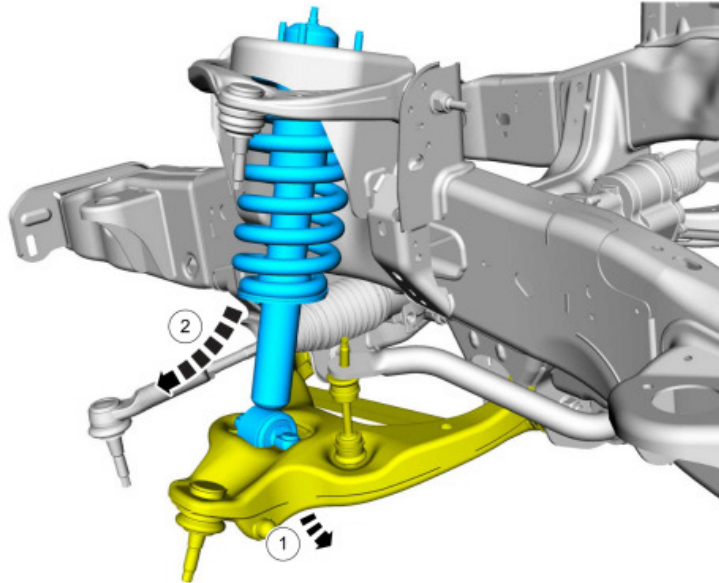


FORD PERFORMANCE

M-18000-F15B F-150 Off Road Suspension Leveling Kit

NO PART OF THIS DOCUMENT MAY BE REPRODUCED WITHOUT PRIOR AGREEMENT AND WRITTEN PERMISSION OF FORD PERFORMANCE PARTS

Remove the shock absorber and spring assembly. (wheel knuckle removed for clarity)



E190236

Factory Ford shop manuals are available from Helm Publications, 1-800-782-4356



FORD PERFORMANCE

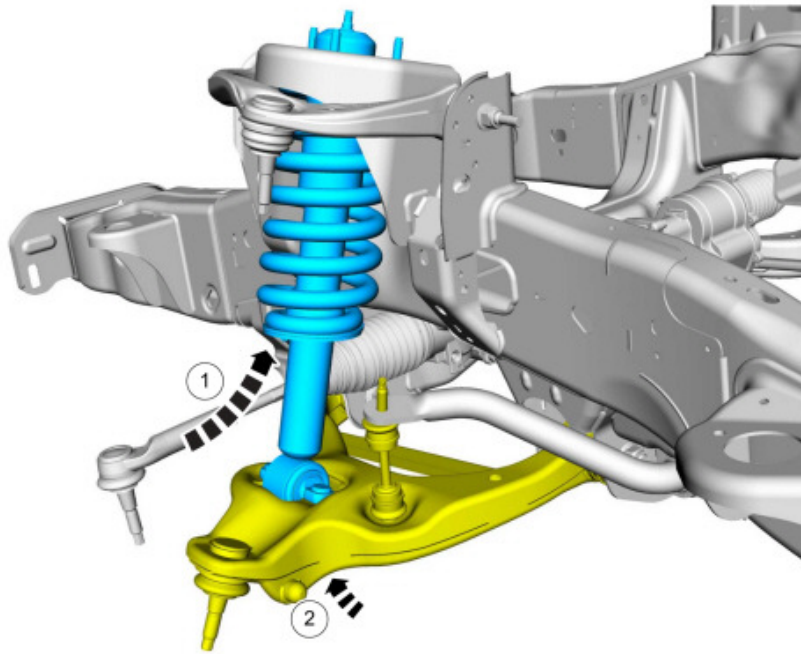
M-18000-F15B F-150 Off Road Suspension Leveling Kit

NO PART OF THIS DOCUMENT MAY BE REPRODUCED WITHOUT PRIOR AGREEMENT AND WRITTEN PERMISSION OF FORD PERFORMANCE PARTS

Installation

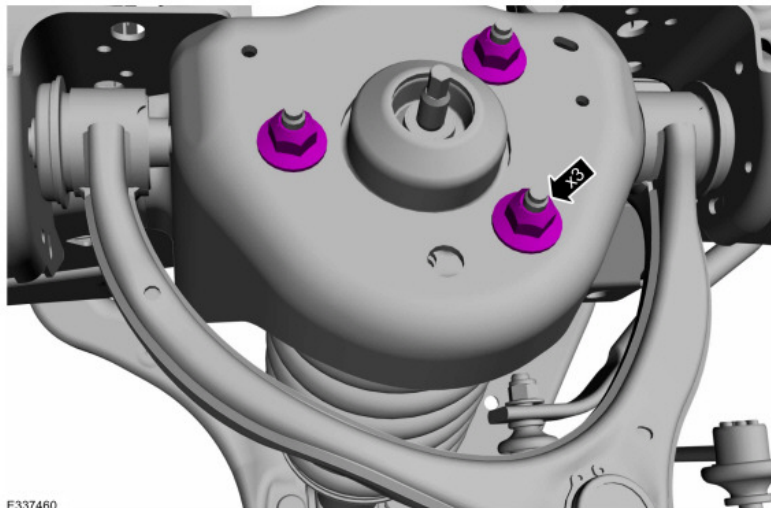
Install the shock absorber and spring assembly. (wheel knuckle removed for clarity)

Position the lower arm up.



E190237

Install the 3 new shock absorber and spring assembly upper nuts.
Torque: 52 lb.ft (70 Nm)



E337460

Factory Ford shop manuals are available from Helm Publications, 1-800-782-4356

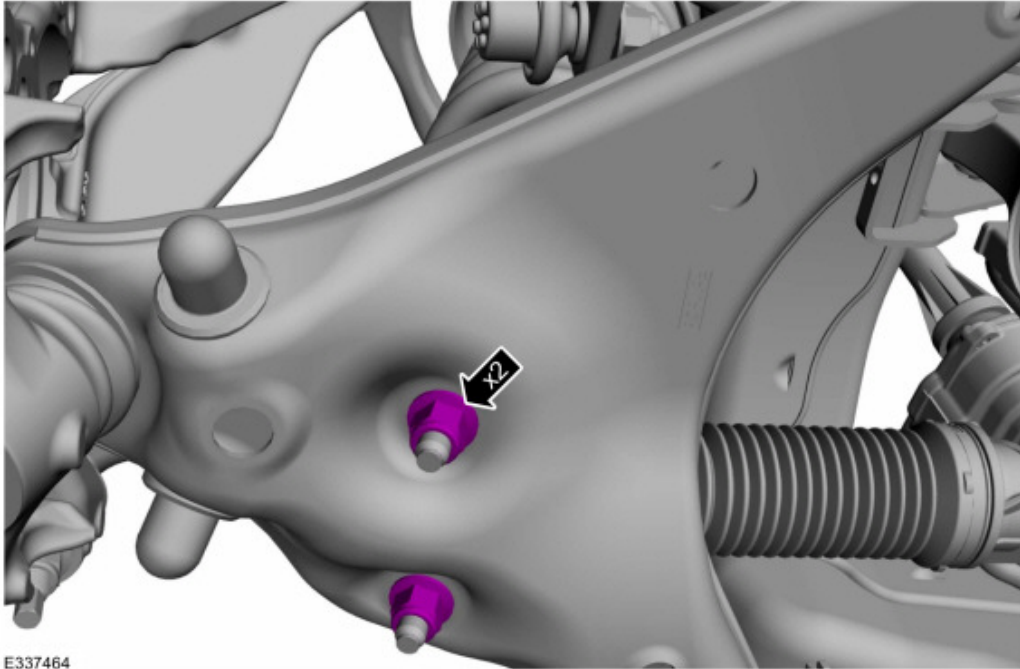


FORD PERFORMANCE

M-18000-F15B F-150 Off Road Suspension Leveling Kit

NO PART OF THIS DOCUMENT MAY BE REPRODUCED WITHOUT PRIOR AGREEMENT AND WRITTEN PERMISSION OF FORD PERFORMANCE PARTS

Install the 2 new shock absorber and spring assembly lower nuts.
Torque: 66 lb.ft (90 Nm)



Factory Ford shop manuals are available from Helm Publications, 1-800-782-4356



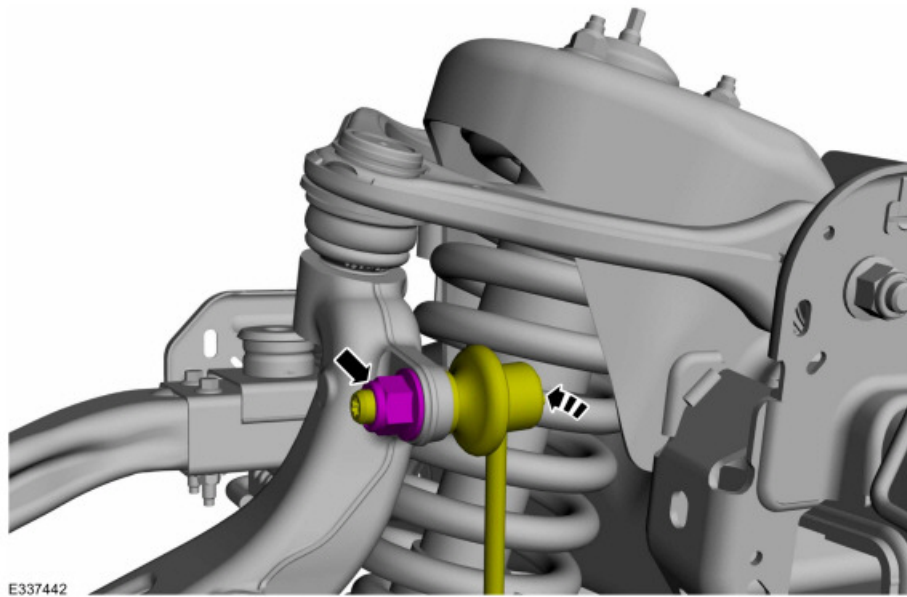
FORD PERFORMANCE

M-18000-F15B F-150 Off Road Suspension Leveling Kit

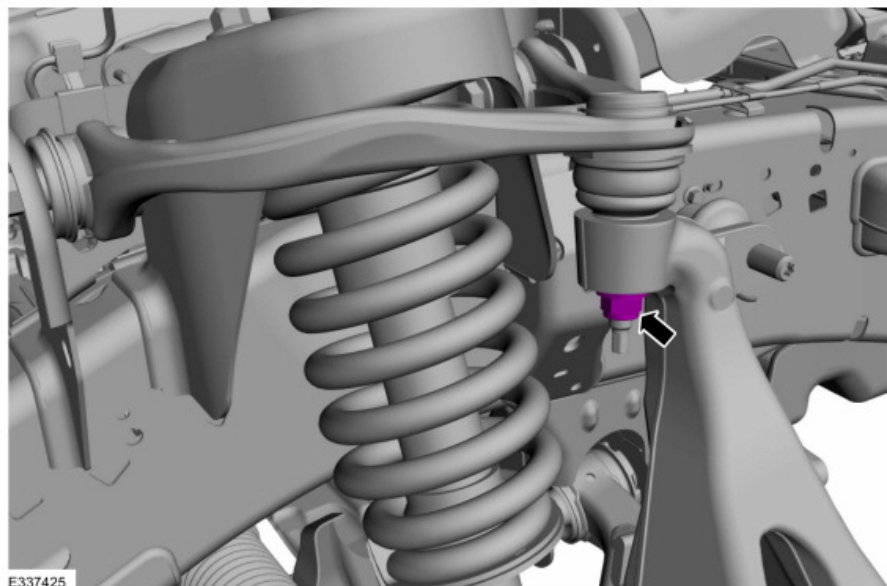
NO PART OF THIS DOCUMENT MAY BE REPRODUCED WITHOUT PRIOR AGREEMENT AND WRITTEN PERMISSION OF FORD PERFORMANCE PARTS

Install the new front stabilizer link upper nut. (wheel knuckle removed for clarity)
Torque: 111 lb.ft (150 Nm)

NOTE: Use the hex-holding feature to prevent the stud from turning while installing the nut.



Install the new upper ball joint nut.
Torque: 46 lb.ft (63 Nm)



Factory Ford shop manuals are available from Helm Publications, 1-800-782-4356

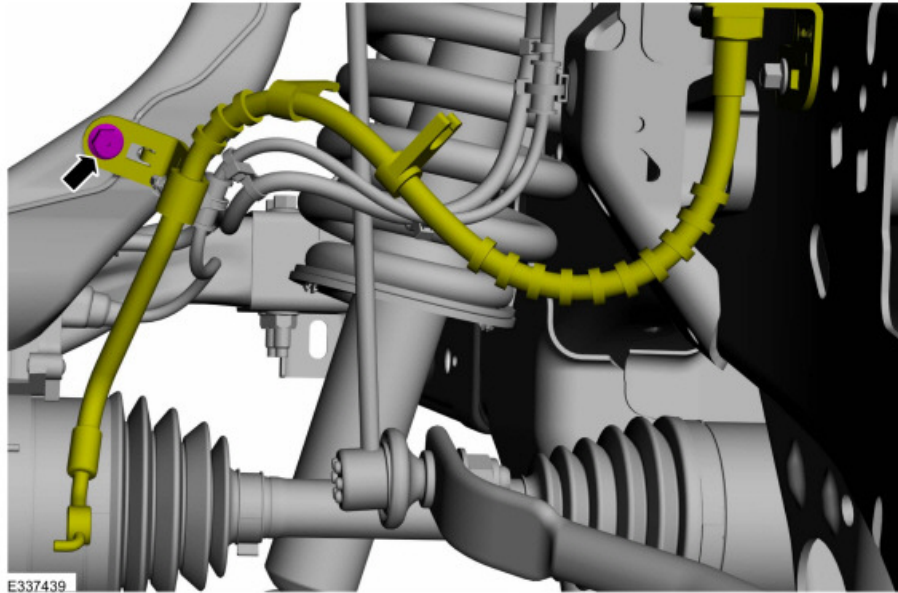


FORD PERFORMANCE

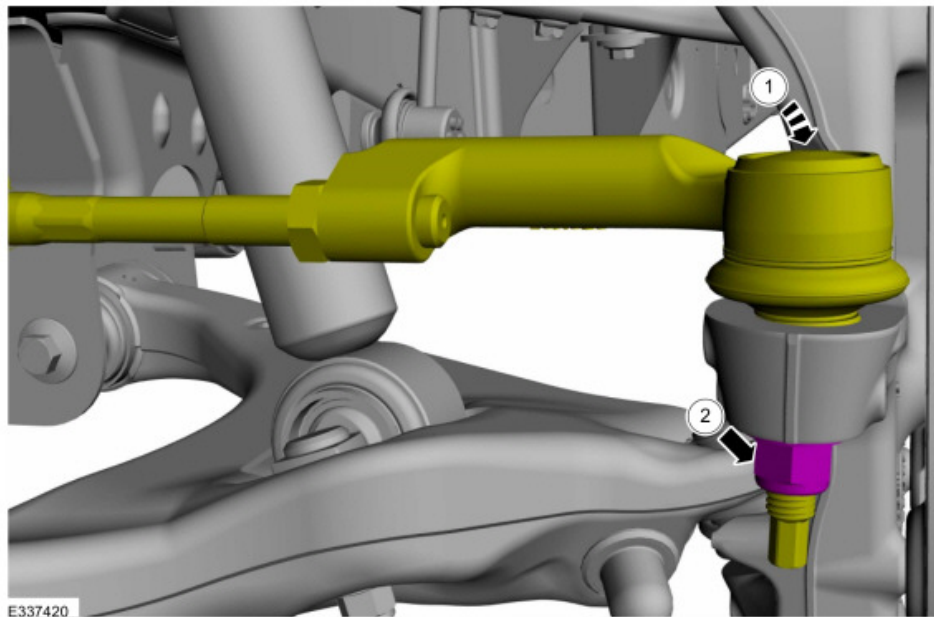
M-18000-F15B F-150 Off Road Suspension Leveling Kit

NO PART OF THIS DOCUMENT MAY BE REPRODUCED WITHOUT PRIOR AGREEMENT AND WRITTEN PERMISSION OF FORD PERFORMANCE PARTS

Position the brake hose bracket and install the brake hose bracket bolt.
Torque: 22 lb.ft (30 Nm)



Position the tie rod end and install the new tie rod end nut.
Torque: 66 lb.ft (90 Nm)



Factory Ford shop manuals are available from Helm Publications, 1-800-782-4356



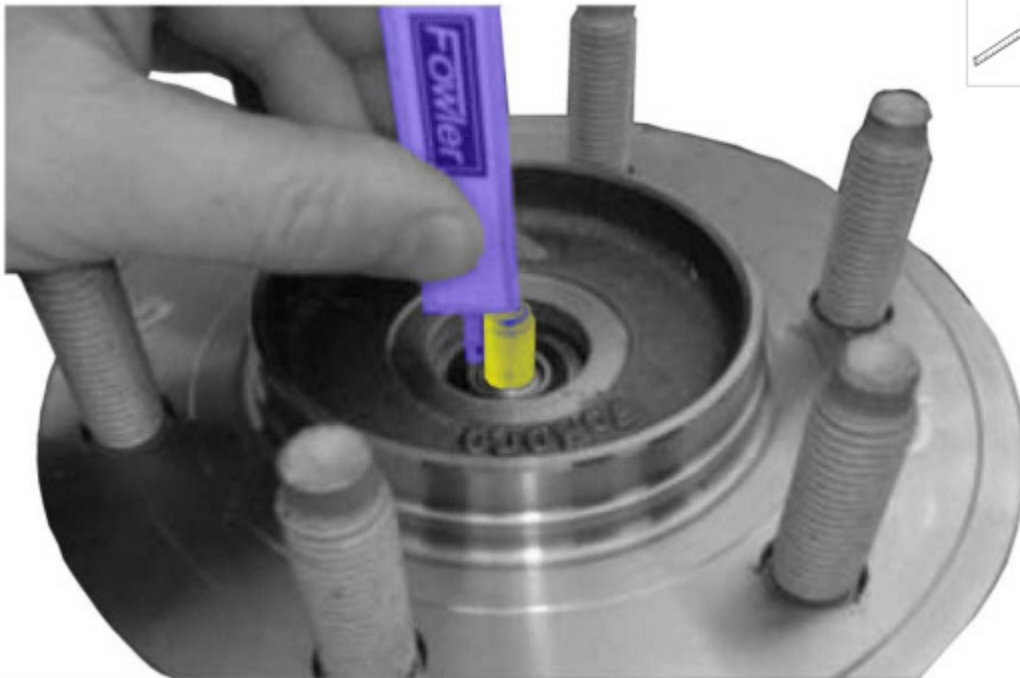
FORD PERFORMANCE

M-18000-F15B F-150 Off Road Suspension Leveling Kit

NO PART OF THIS DOCUMENT MAY BE REPRODUCED WITHOUT PRIOR AGREEMENT AND WRITTEN PERMISSION OF FORD PERFORMANCE PARTS

NOTICE: Measure the depth of the CV shaft threaded end to the inner bearing race (shown in illustration). The minimum depth is 15.5 mm (0.61 in). If the depth is less than 15.5 mm (0.61 in) rotate the CV shaft to clear a binding condition between the IWE and CV splines. Installing the axle nut and tightening without the proper depth of protrusion will result in damage to the IWE.

Measure the CV shaft threaded end to the inner bearing race.



E190195

Factory Ford shop manuals are available from Helm Publications, 1-800-782-4356



FORD PERFORMANCE

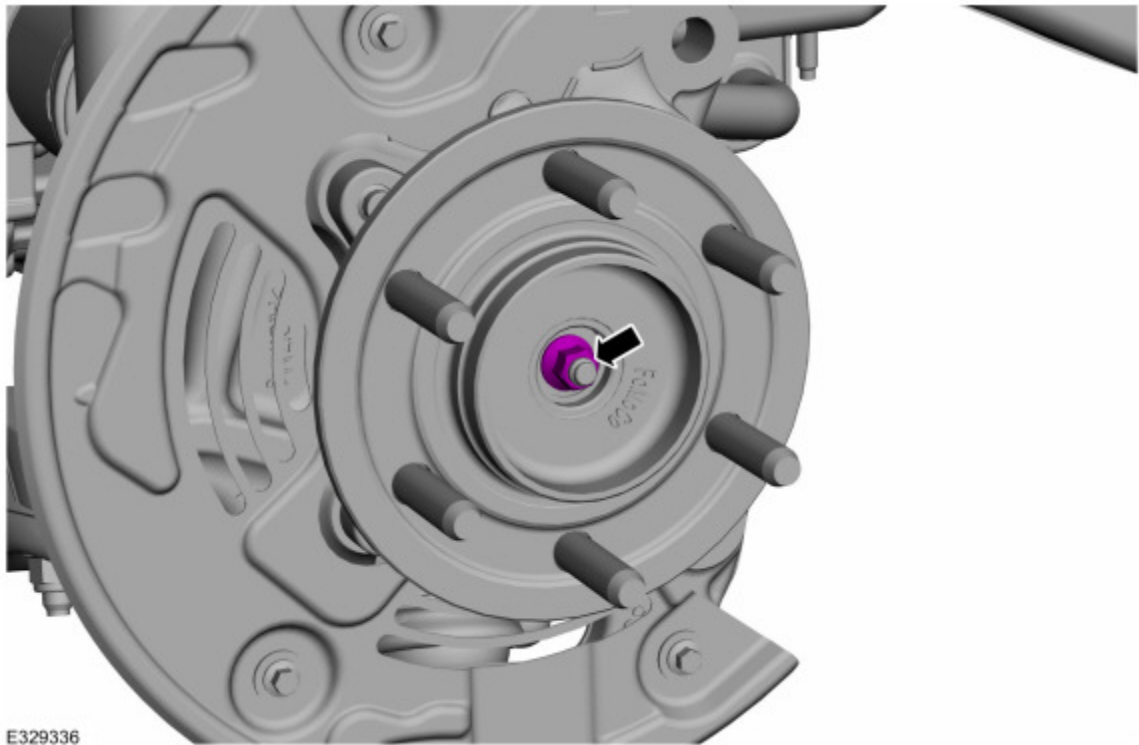
M-18000-F15B F-150 Off Road Suspension Leveling Kit

NO PART OF THIS DOCUMENT MAY BE REPRODUCED WITHOUT PRIOR AGREEMENT AND WRITTEN PERMISSION OF FORD PERFORMANCE PARTS

NOTICE: Verify the spline engagement by checking for spline lash before installing the wheel hub nut or component damage may occur.

Install the new the axle nut.
Torque: 30 lb.ft (40 Nm)

Verify free rotation of the hub with no CV joint rotation. No clicking or grinding noise should be present.



Factory Ford shop manuals are available from Helm Publications, 1-800-782-4356



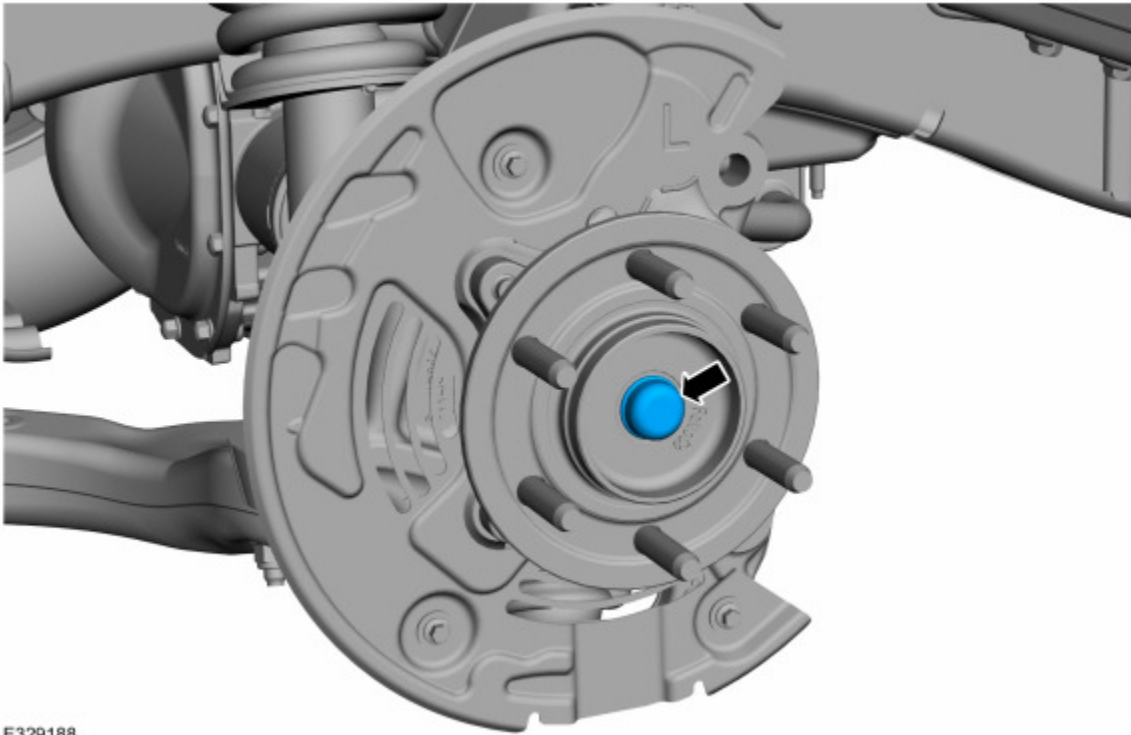
FORD PERFORMANCE

M-18000-F15B F-150 Off Road Suspension Leveling Kit

NO PART OF THIS DOCUMENT MAY BE REPRODUCED WITHOUT PRIOR AGREEMENT AND WRITTEN PERMISSION OF FORD PERFORMANCE PARTS

NOTE: *If the dust cap to bearing interface is damaged, damaged parts must be replaced.*

Install the dust cap.



E329188

Factory Ford shop manuals are available from Helm Publications, 1-800-782-4356



FORD PERFORMANCE

M-18000-F15B F-150 Off Road Suspension Leveling Kit

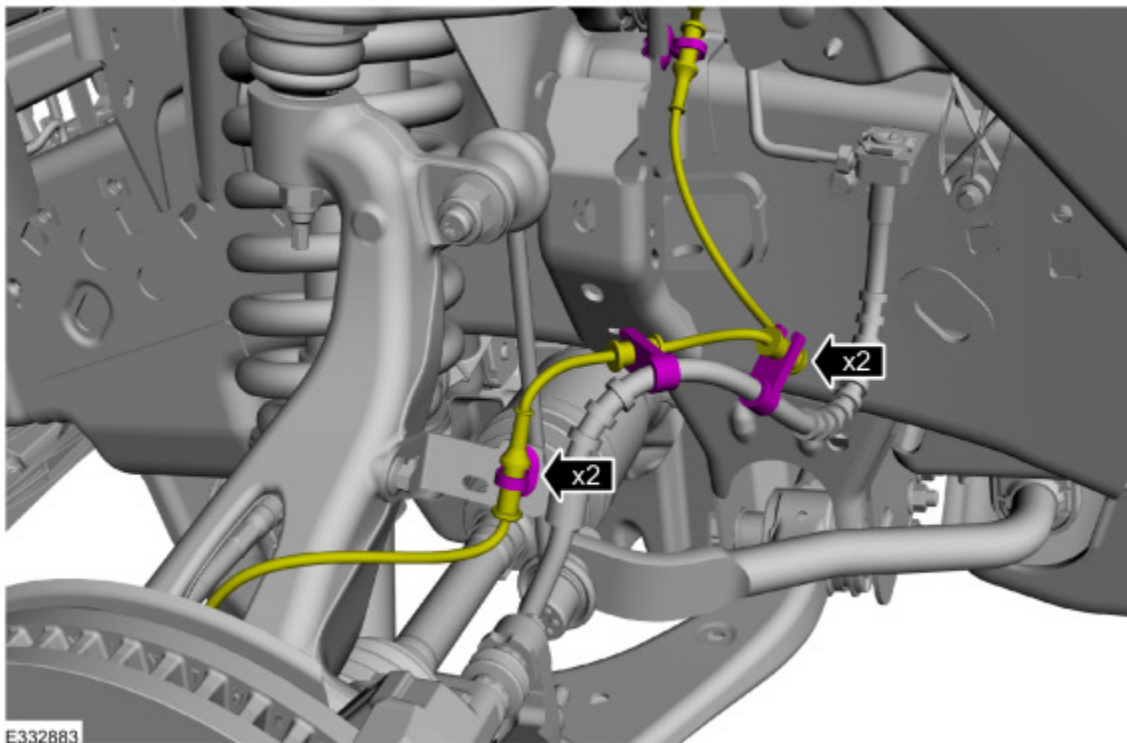
NO PART OF THIS DOCUMENT MAY BE REPRODUCED WITHOUT PRIOR AGREEMENT AND WRITTEN PERMISSION OF FORD PERFORMANCE PARTS

Position the wheel speed sensor wire and clip the 2 wheel speed sensor wire retainers.

Clip the wheel speed sensor wire to the brake hose.

Install the wheel speed sensor wire bracket bolt.

Torque: 106 lb.in (12 Nm)



Factory Ford shop manuals are available from Helm Publications, 1-800-782-4356



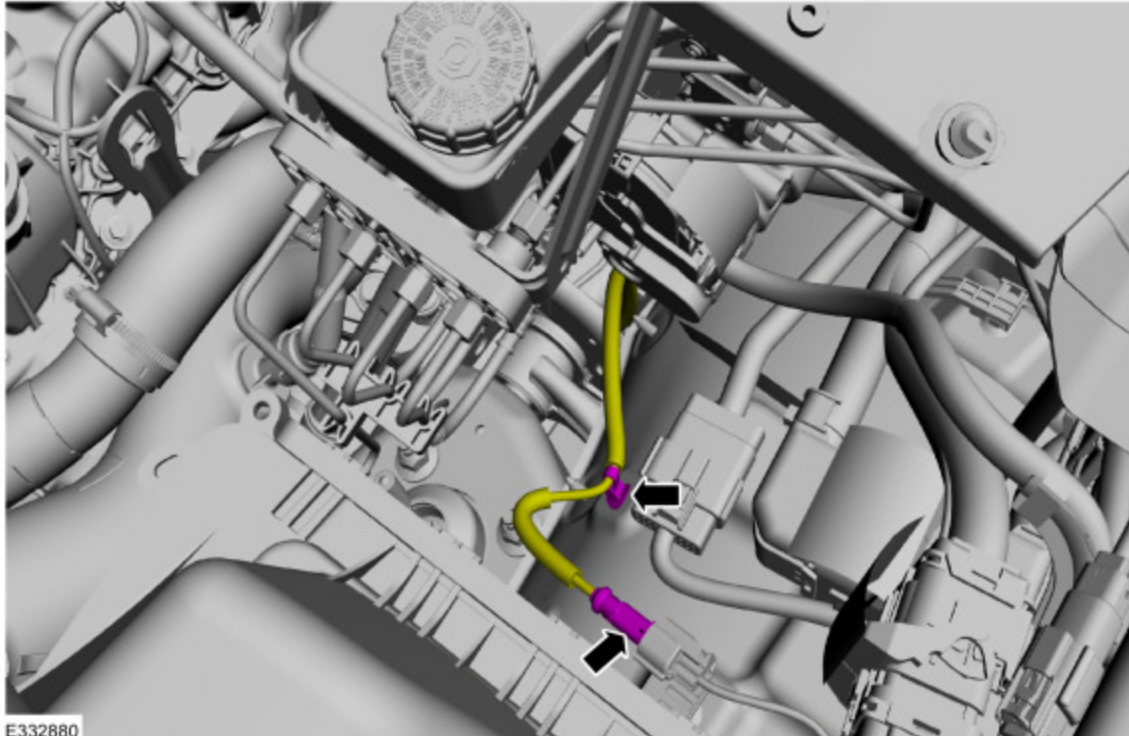
FORD PERFORMANCE

M-18000-F15B F-150 Off Road Suspension Leveling Kit

NO PART OF THIS DOCUMENT MAY BE REPRODUCED WITHOUT PRIOR AGREEMENT AND WRITTEN PERMISSION OF FORD PERFORMANCE PARTS

NOTE: *The wheel speed sensor electrical connector is located in the engine compartment secured to the fender apron.*

Connect the wheel speed sensor electrical connector.



Factory Ford shop manuals are available from Helm Publications, 1-800-782-4356



FORD PERFORMANCE

M-18000-F15B F-150 Off Road Suspension Leveling Kit

NO PART OF THIS DOCUMENT MAY BE REPRODUCED WITHOUT PRIOR AGREEMENT AND WRITTEN PERMISSION OF FORD PERFORMANCE PARTS

Rear Shock Absorber Removal

⚠ WARNING: Do not apply heat or flame to the shock absorber or strut tube. The shock absorber and strut tube are gas pressurized and could explode if heated. Failure to follow this instruction may result in serious personal injury.

⚠ WARNING: Keep all body parts clear of shock absorbers or strut rods. Shock absorbers or struts can extend unassisted. Failure to follow this instruction may result in serious personal injury.

NOTICE: Suspension fasteners are critical parts that affect the performance of vital components and systems. Failure of these fasteners may result in major service expense. Use the same or equivalent parts if replacement is necessary. Do not use a replacement part of lesser quality or substitute design. Tighten fasteners as specified.

NOTE: *Removal steps in this procedure may contain installation details.*

Factory Ford shop manuals are available from Helm Publications, 1-800-782-4356

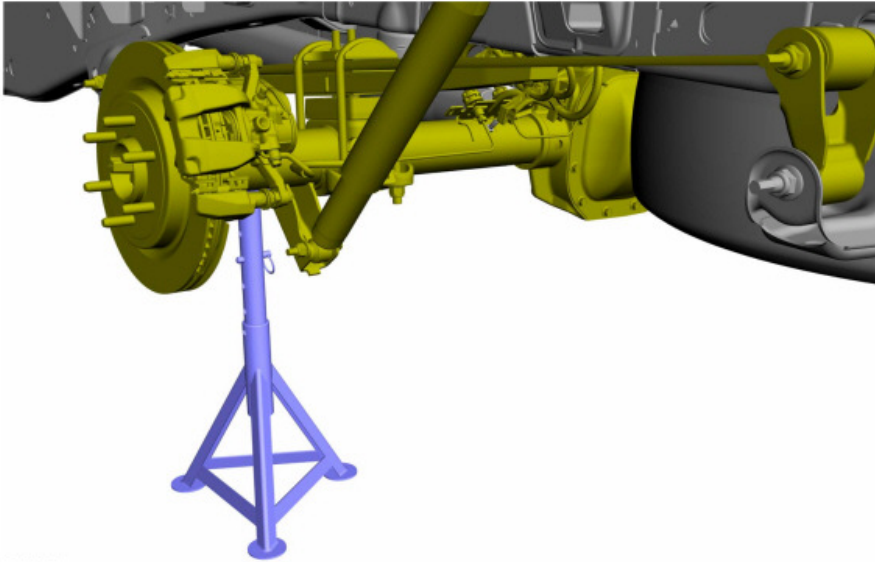


FORD PERFORMANCE

M-18000-F15B F-150 Off Road Suspension Leveling Kit

NO PART OF THIS DOCUMENT MAY BE REPRODUCED WITHOUT PRIOR AGREEMENT AND WRITTEN PERMISSION OF FORD PERFORMANCE PARTS

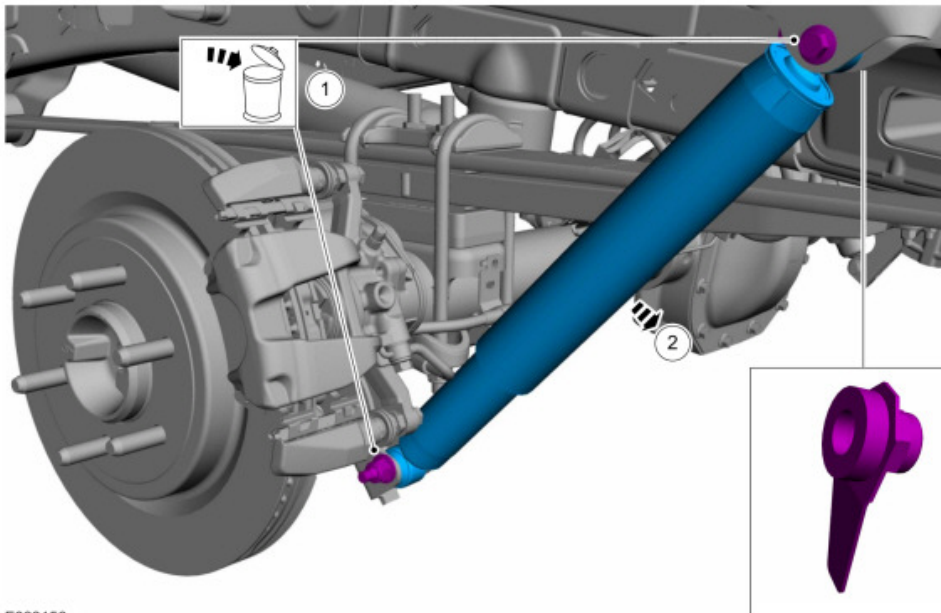
Support the rear axle assembly.



E338155

Remove and discard the rear shock absorber upper and lower bolts and nuts.
Torque: 66 lb.ft (90 Nm)

Remove the rear shock absorber.



E338156

Factory Ford shop manuals are available from Helm Publications, 1-800-782-4356



FORD PERFORMANCE

M-18000-F15B F-150 Off Road Suspension Leveling Kit

NO PART OF THIS DOCUMENT MAY BE REPRODUCED WITHOUT PRIOR AGREEMENT AND WRITTEN PERMISSION OF FORD PERFORMANCE PARTS

Attach the remote reservoirs to both rear shock absorbers as pictured using the included brackets and fastener. Reservoir should be mounted rearward of the shock absorber.



Factory Ford shop manuals are available from Helm Publications, 1-800-782-4356



FORD PERFORMANCE

M-18000-F15B F-150 Off Road Suspension Leveling Kit

NO PART OF THIS DOCUMENT MAY BE REPRODUCED WITHOUT PRIOR AGREEMENT AND WRITTEN PERMISSION OF FORD PERFORMANCE PARTS

Install the rear shock absorber. The remote reservoir on the shock absorber should be oriented toward the rear of the vehicle.



Install the new rear shock absorber upper and lower bolts and nuts.
Torque: 66 lb.ft (90 Nm)

NOTE: *Make sure that new components are installed.*

NOTE: *A J-nut is used on the upper LH side only.*

Torque the wheel lug nuts (if removed) to 150 lb.ft (204 Nm), recheck torque after 100mi (160km).

Factory Ford shop manuals are available from Helm Publications, 1-800-782-4356



FORD PERFORMANCE

M-18000-F15B F-150 Off Road Suspension Leveling Kit

NO PART OF THIS DOCUMENT MAY BE REPRODUCED WITHOUT PRIOR AGREEMENT AND WRITTEN PERMISSION OF FORD PERFORMANCE PARTS

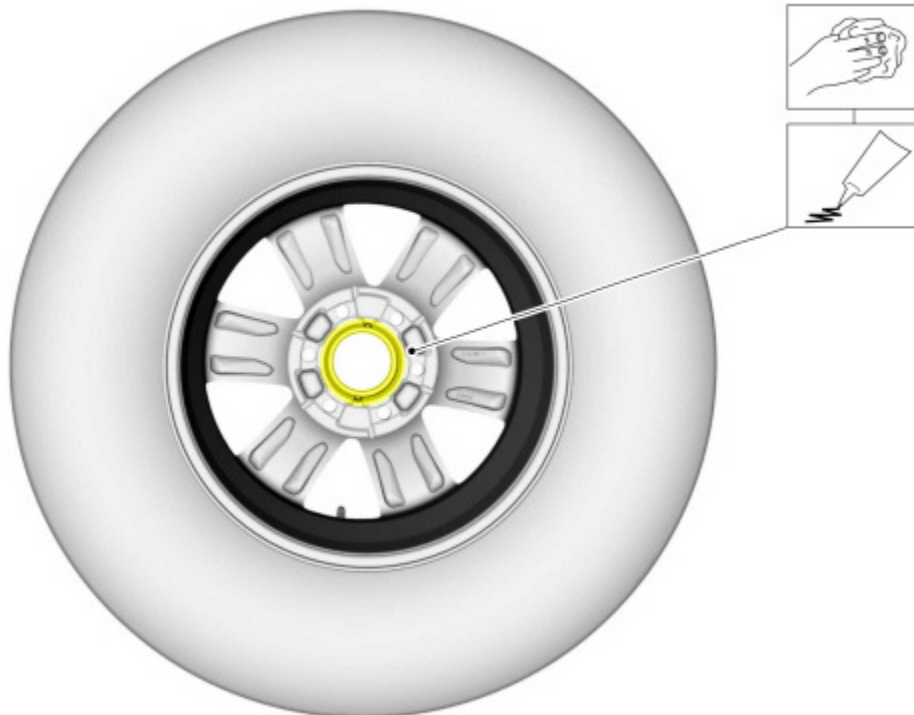
Tire and wheel installation

⚠ WARNING: When a wheel is installed, always remove any corrosion, dirt or foreign material present on the mounting surface of the wheel and the mounting surface of the wheel hub, brake drum or brake disc. Make sure that any fasteners that attach the rotor to the hub are secured so they do not interfere with the mounting surfaces of the wheel. Failure to follow these instructions when installing wheels may result in the wheel nuts loosening and the wheel coming off while the vehicle is in motion, which could result in loss of control, leading to serious injury or death to vehicle occupant(s).

NOTICE: Make sure to apply a thin coat of anti-seize lubrication only to the interface between the wheel pilot bore and the hub pilot. Do not allow the anti-seize to make contact with the wheel-to-brake disc/drum mounting surface, wheel studs, wheel nuts, brake pads or brake disc friction surfaces or damage to components may occur.

Clean the mounting surfaces. Apply anti-seize lubrication.

Material: Motorcraft® High Temperature Nickel Anti-Seize Lubricant / XL-2



E190251

Factory Ford shop manuals are available from Helm Publications, 1-800-782-4356



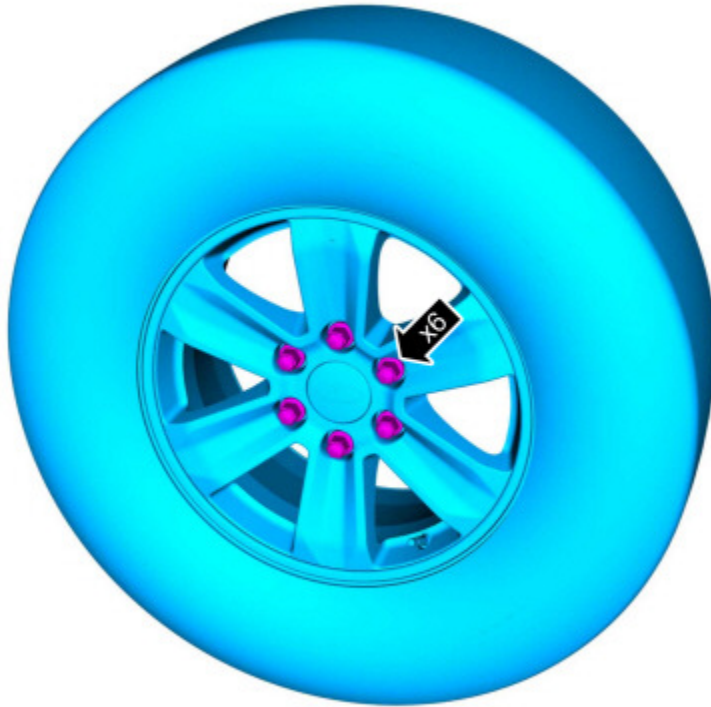
FORD PERFORMANCE

M-18000-F15B F-150 Off Road Suspension Leveling Kit

NO PART OF THIS DOCUMENT MAY BE REPRODUCED WITHOUT PRIOR AGREEMENT AND WRITTEN PERMISSION OF FORD PERFORMANCE PARTS

NOTE: *Only tighten the nuts finger tight at this stage.*

Install the wheel and tire and install the wheel nuts.



E250927

⚠ WARNING: Retighten wheel nuts within 160 km (100 mi) after a wheel is reinstalled. Wheels can loosen after initial tightening. Failure to follow this instruction may result in serious injury to vehicle occupant(s).

NOTICE: Failure to tighten the wheel nuts in a star/cross pattern can result in high brake disc runout, which accelerates the development of brake roughness, shudder and vibration.

NOTE: *The wheel nut torque specification is for clean, dry wheel stud and wheel nut threads.*

NOTE: *Use metric hexagonal socket.*

NOTE: *Final tightening to be performed with vehicle resting on tires.*

Factory Ford shop manuals are available from Helm Publications, 1-800-782-4356

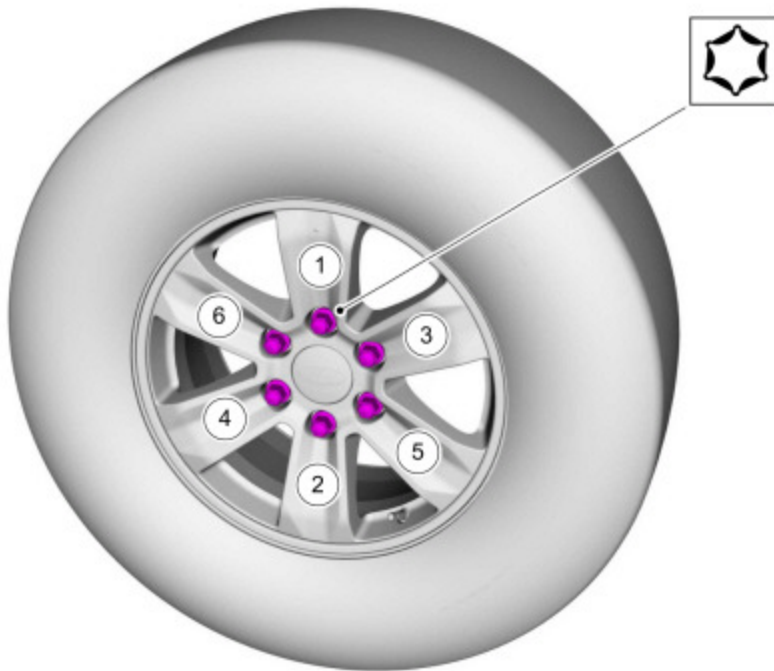


FORD PERFORMANCE

M-18000-F15B F-150 Off Road Suspension Leveling Kit

NO PART OF THIS DOCUMENT MAY BE REPRODUCED WITHOUT PRIOR AGREEMENT AND WRITTEN PERMISSION OF
FORD PERFORMANCE PARTS

Tighten the wheel nuts
Torque: 150 lb.ft (204 Nm)



E190252

Check alignment, adjust as necessary.

Factory Ford shop manuals are available from Helm Publications, 1-800-782-4356



FORD PERFORMANCE

M-18000-F15B F-150 Off Road Suspension Leveling Kit

NO PART OF THIS DOCUMENT MAY BE REPRODUCED WITHOUT PRIOR AGREEMENT AND WRITTEN PERMISSION OF FORD PERFORMANCE PARTS

Cruise Control Radar Alignment (if equipped)

Adjustment

Vertical Alignment

NOTE: *In order to align the CCM, the front bumper trim panel must be removed to access the sensor and the vehicle must be in a wheel alignment bay station so that the vehicle is level.*

NOTE: *Damage to the CCM bracket may affect correct alignment. When aligning the CCM, inspect the CCM bracket for damage and repair as necessary before carrying out the alignment procedure.*

Remove the front bumper trim panel.

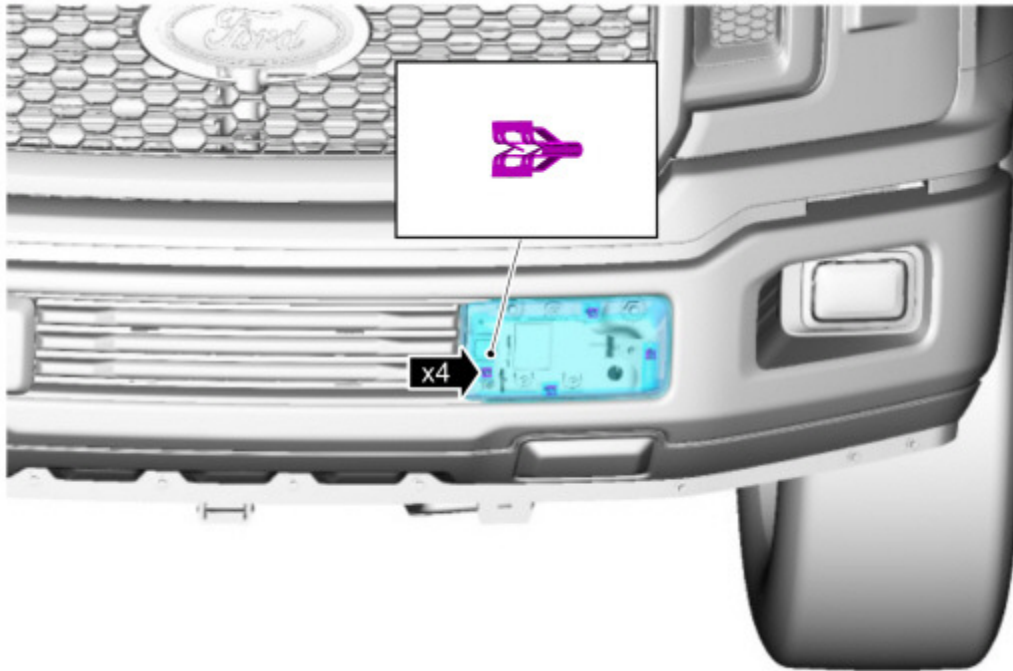
Factory Ford shop manuals are available from Helm Publications, 1-800-782-4356



FORD PERFORMANCE

M-18000-F15B F-150 Off Road Suspension Leveling Kit

NO PART OF THIS DOCUMENT MAY BE REPRODUCED WITHOUT PRIOR AGREEMENT AND WRITTEN PERMISSION OF FORD PERFORMANCE PARTS



E263322

Place the vehicle on a wheel alignment bay station.

Locate the CCM alignment screws.

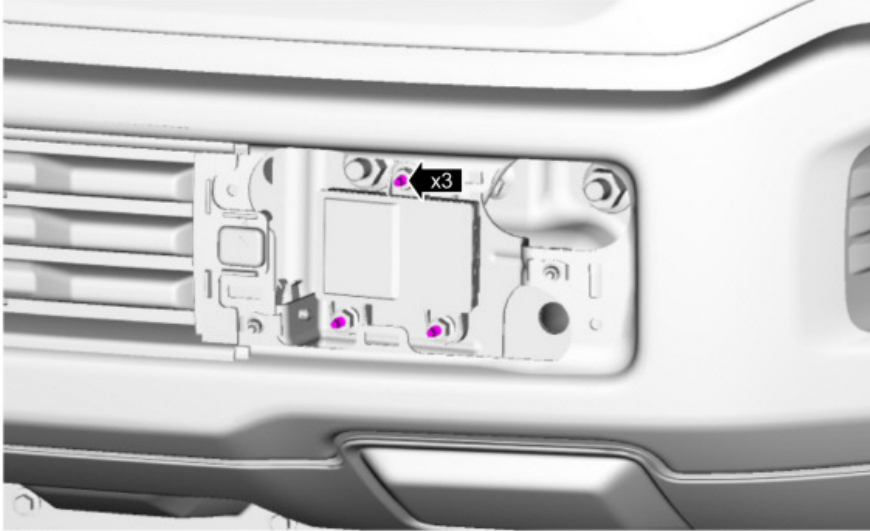
Factory Ford shop manuals are available from Helm Publications, 1-800-782-4356



FORD PERFORMANCE

M-18000-F15B F-150 Off Road Suspension Leveling Kit

NO PART OF THIS DOCUMENT MAY BE REPRODUCED WITHOUT PRIOR AGREEMENT AND WRITTEN PERMISSION OF FORD PERFORMANCE PARTS



E263323

NOTE: *Typical application shown.*

Place a combination square level on the face of the CCM and check the alignment.



E192283

Keeping the combination square level on the face of the CCM, adjust the pitch by using an E6 Torx® socket to adjust the screws until the CCM is vertical and level.

Factory Ford shop manuals are available from Helm Publications, 1-800-782-4356



FORD PERFORMANCE

M-18000-F15B F-150 Off Road Suspension Leveling Kit

NO PART OF THIS DOCUMENT MAY BE REPRODUCED WITHOUT PRIOR AGREEMENT AND WRITTEN PERMISSION OF FORD PERFORMANCE PARTS



E263324

Install the front bumper trim panel.

Horizontal Alignment

NOTE: The horizontal alignment for the CCM is a software calibration that checks that the radar is pointed straight. No manual adjustment is needed for this procedure. The scan tool calibrates the CCM through the CCM procedure in programmable parameters.

NOTICE: The vehicle's engine must be running during the horizontal alignment procedure. Failure to leave the engine running throughout the entire procedure results in the cancellation of the alignment procedure and the system remains non-functional.

Start the engine.

NOTE: DTCs in the ABS and PCM modules can prevent the calibration from completing.

Follow the diagnostic scan tool on-screen instructions to carry-out the CCM calibration procedure

Factory Ford shop manuals are available from Helm Publications, 1-800-782-4356



FORD PERFORMANCE

M-18000-F15B F-150 Off Road Suspension Leveling Kit

NO PART OF THIS DOCUMENT MAY BE REPRODUCED WITHOUT PRIOR AGREEMENT AND WRITTEN PERMISSION OF FORD PERFORMANCE PARTS

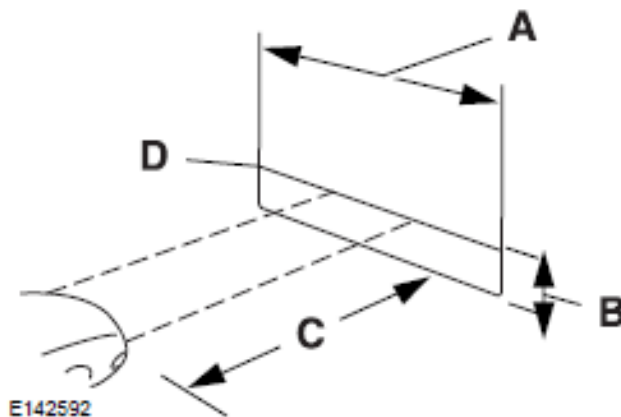
Aim headlights

ADJUSTING THE HEADLAMPS

Vertical Aim Adjustment

The headlamps on your vehicle are properly aimed at the assembly plant. If your vehicle has been in an accident, contact an authorized dealer to check and realign your headlamps.

Headlamp Aiming Target



- A 8 feet (2.4 meters).
- B Center height of lamp to ground.
- C 25 feet (7.6 meters).
- D Horizontal reference line.

Vertical Aim Adjustment

1. Park your vehicle directly in front of a wall or screen on a level surface, approximately 25 ft (7.6 m) away.

Factory Ford shop manuals are available from Helm Publications, 1-800-782-4356



FORD PERFORMANCE

M-18000-F15B F-150 Off Road Suspension Leveling Kit

NO PART OF THIS DOCUMENT MAY BE REPRODUCED WITHOUT PRIOR AGREEMENT AND WRITTEN PERMISSION OF FORD PERFORMANCE PARTS

2. Measure the height from the center of your headlamp (indicated by a 3.0 millimeter circle on the lens) to the ground and mark an 8 ft (2.4 m) horizontal reference line on the vertical wall or screen at this height (a piece of masking tape works well).

Note: To see a clearer light pattern for adjusting, you may want to block the light from one headlamp while adjusting the other.

3. Switch on the low beam headlamps to illuminate the wall or screen and open the hood. Cover one of the headlamps so no light hits the wall.



E167358

4. **For halogen or LED headlamps:** On the wall or screen you will observe a light pattern with a distinct horizontal edge toward the right. If this edge is not at the horizontal reference line, you will need to adjust the beam so the edge is at the same height as the horizontal reference line.

Factory Ford shop manuals are available from Helm Publications, 1-800-782-4356



FORD PERFORMANCE

M-18000-F15B F-150 Off Road Suspension Leveling Kit

NO PART OF THIS DOCUMENT MAY BE REPRODUCED WITHOUT PRIOR AGREEMENT AND WRITTEN PERMISSION OF FORD PERFORMANCE PARTS



E163806

5. Locate the vertical adjuster on each headlamp. Use a #2 Phillips screwdriver to turn the adjuster either counterclockwise or clockwise in order to adjust the vertical aim of the headlamp.
6. Repeat Steps 3 through 7 to adjust the other headlamp.
7. Close the hood and turn off the lamps.

Horizontal Aim Adjustment

Horizontal aim is not required for this vehicle and is not adjustable.

Factory Ford shop manuals are available from Helm Publications, 1-800-782-4356



FORD PERFORMANCE

M-18000-F15B F-150 Off Road Suspension Leveling Kit

NO PART OF THIS DOCUMENT MAY BE REPRODUCED WITHOUT PRIOR AGREEMENT AND WRITTEN PERMISSION OF
FORD PERFORMANCE PARTS

Torque specifications

Front stabilizer bar link upper nut *Torque:* 111 lb.ft (150 Nm)

Upper ball joint nut *Torque:* 46 lb.ft (63 Nm)

Brake hose bracket bolt *Torque:* 22 lb.ft (30 Nm)

Tie rod end nut *Torque:* 66 lb.ft (90 Nm)

Axle nut *Torque:* 30 lb.ft (40 Nm)

Wheel speed sensor wire bracket bolt *Torque:* 106 lb.in (12 Nm)

Rear shock absorber upper and lower bolts and nuts *Torque:* 66 lb.ft (90 Nm)

Wheel nuts *Torque:* 150 lb.ft (204 Nm)

Front shock upper nuts *Torque:* 52 lb.ft (70 Nm)

Front shock lower bolts *Torque:* 66 lb.ft (90 Nm)

Factory Ford shop manuals are available from Helm Publications, 1-800-782-4356