



**SUBARU**

**SUBARU**

PART NUMBER: J101SSL400

**INSTALLATION  
INSTRUCTIONS**

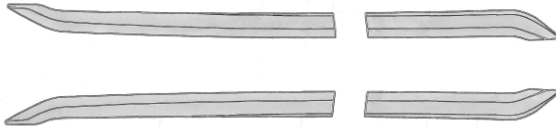
DESCRIPTION: FORESTER BODY SIDE MOLDING

**PRE-INSTALLATION NOTES**

- NOTE:** VEHICLE AND ALL INSTALLATION MATERIAL TEMPERATURES MUST BE 60°F (16°C) TO 86°F (31°C) BEFORE AND DURING INSTALLATION PROCESS.
- NOTE:** IF INSTALLING BODY SIDE MOLDING ALONG WITH DOOR EDGE GUARDS, THE BODY SIDE MOLDING MUST BE INSTALLED FIRST TO ALLOW PROPER ALIGNMENT OF THE INSTALLATION TEMPLATE.

**KIT CONTENTS:**

**A.**



Body Side Molding 4 pcs.

**B.**

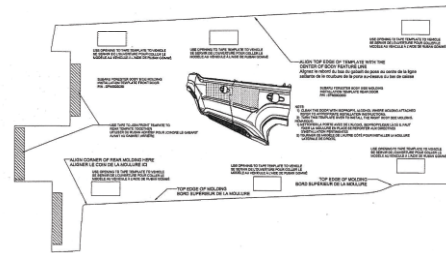
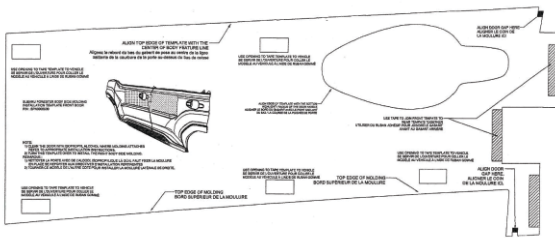


Alcohol Wipe x 4

**C.**

Installation Template Front Door x 1

Installation Template Rear Door x 1



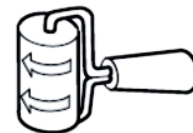
**TOOLS REQUIRED:**



Masking Tape



Wash Supplies



Rubber Roller

PART NUMBER:  
SPN0005182

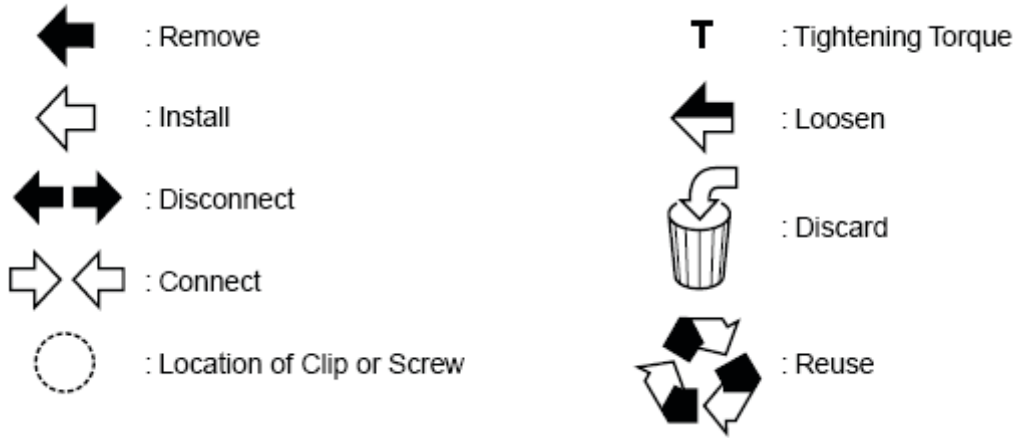
ISSUE:  
REV-1

DATE:  
10-19-23

SUBARU OF AMERICA

PAGE  
1/4

# MEANING OF CHARACTERS:

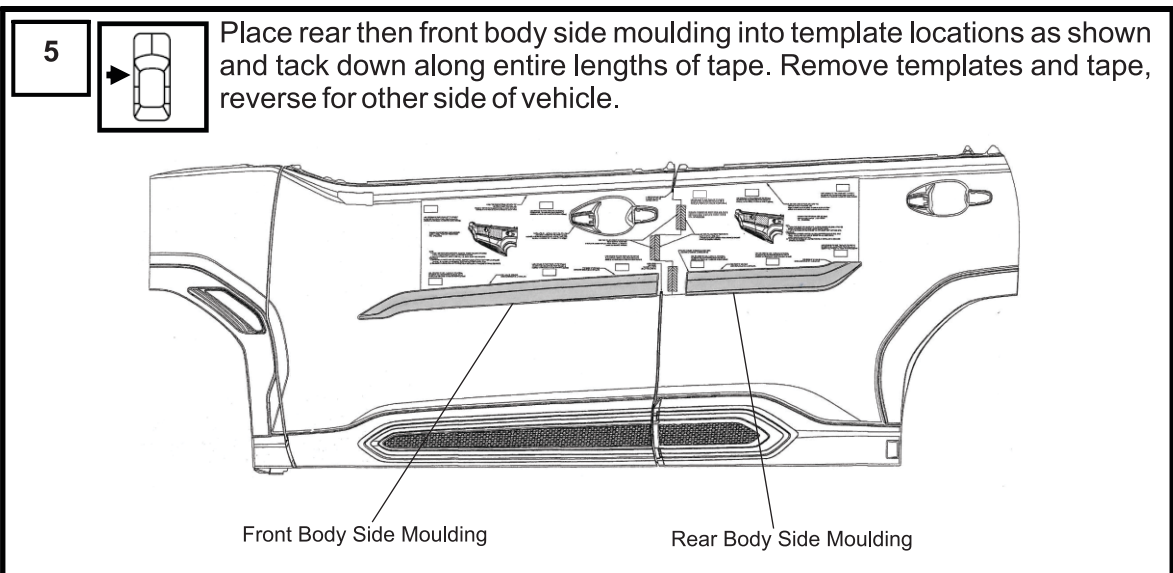
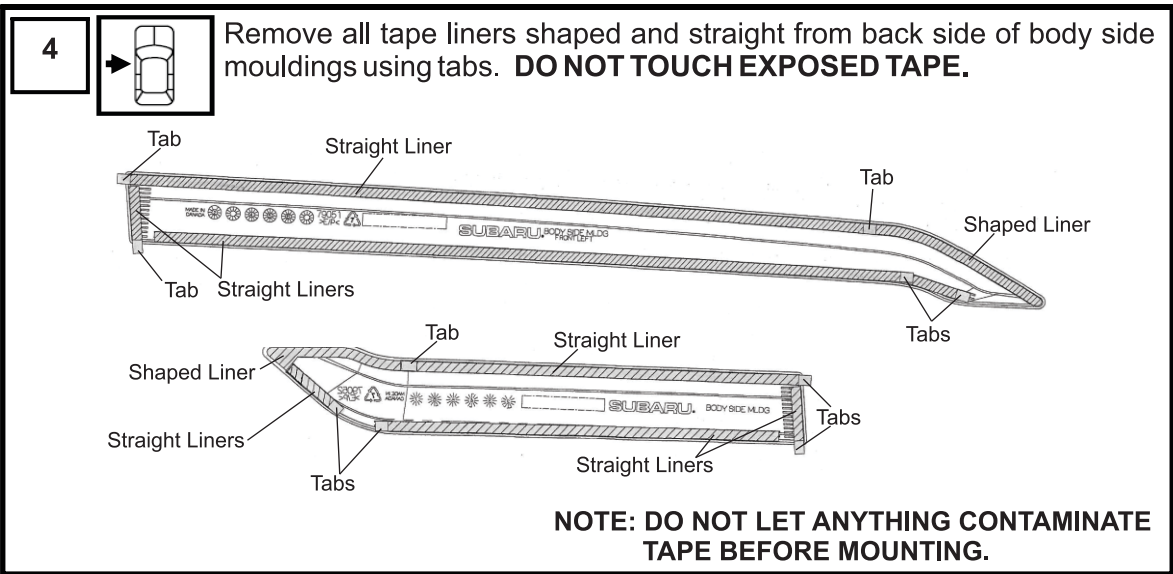
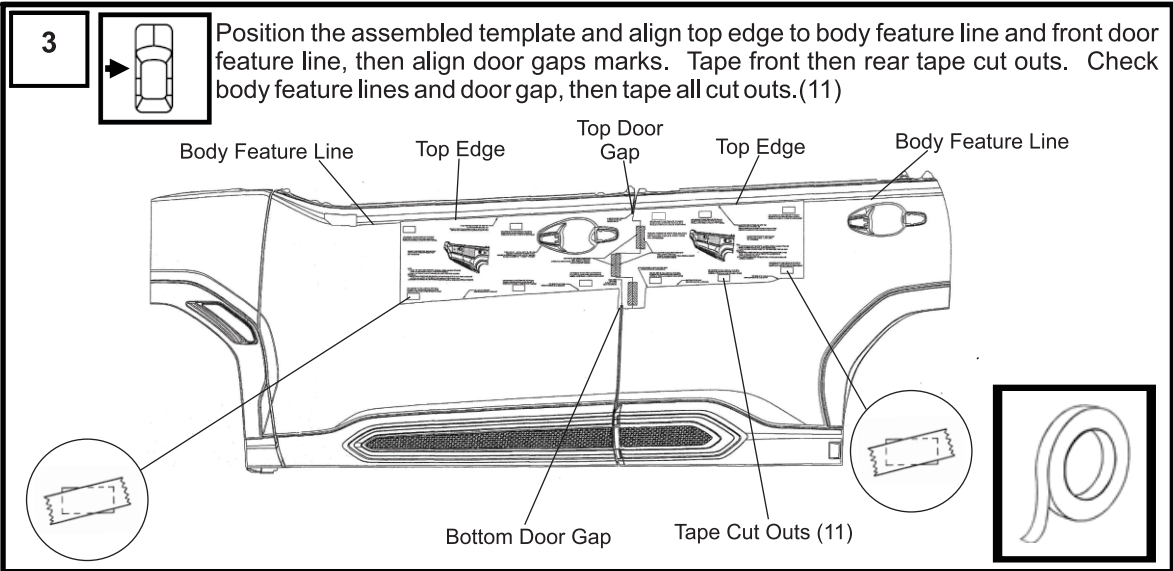


## Surface Preparation

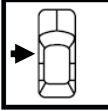
**1** Make sure that all shaded installation surfaces (shown below) are washed and free of dirt, grease, and debris. Next use the alcohol wipes included in the kit and then dry. Inspect vehicle for damage before installation of body side molding. Before beginning, vehicle and body side molding must be at room temperature. If the temperature is below 60F (21 C) or above 110F (43 C). Let vehicle sit indoors until the doors and body side molding are at room temperature.

## Body Side Molding Installation

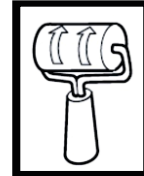
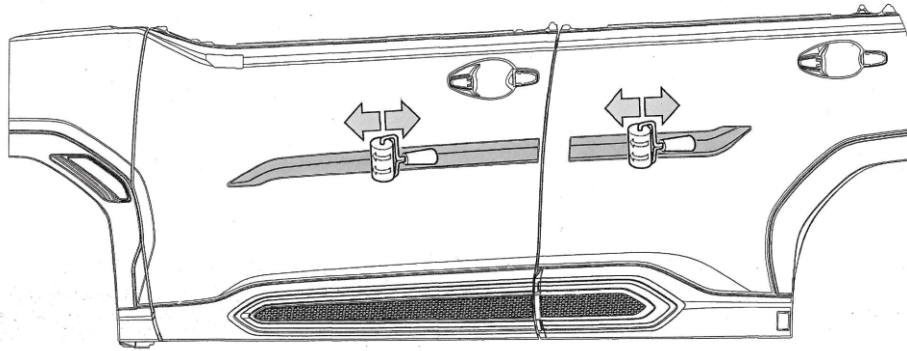
**2** Position the front and rear body side moulding location templates together using locking profile as shown. Make sure templates are aligned then tape together at locking profile as shown.



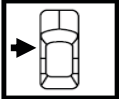
6



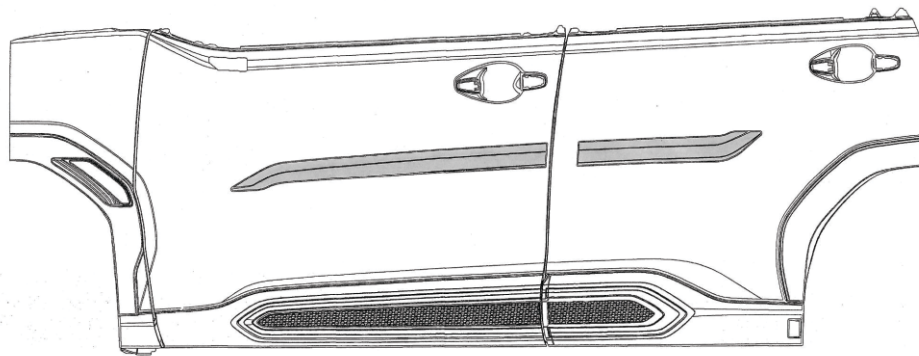
Using a rubber roller, apply firm, even pressure across the body side mouldings to adhere all pieces of tape to vehicle. Repeat procedure for the passenger side.



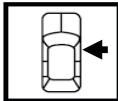
7



Installation is complete for driver side of vehicle.



8



Repeat steps 1 through 7 on passengers side of vehicle, using other side of paper template.