



SUBARU

FORESTER FOG LAMP KIT

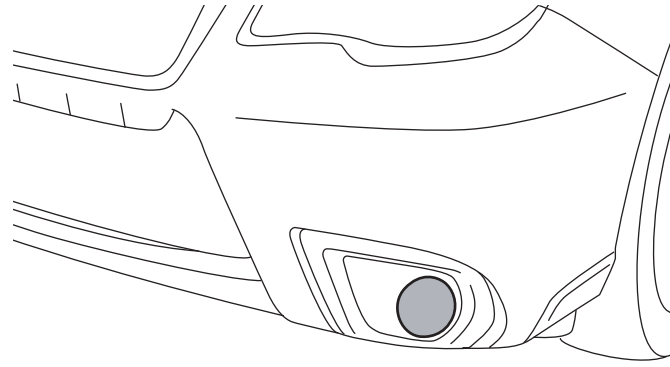
INSTALLATION INSTRUCTION

PART No. H4510SG110 / H4510SG120/H4510SG140/H4510SG150

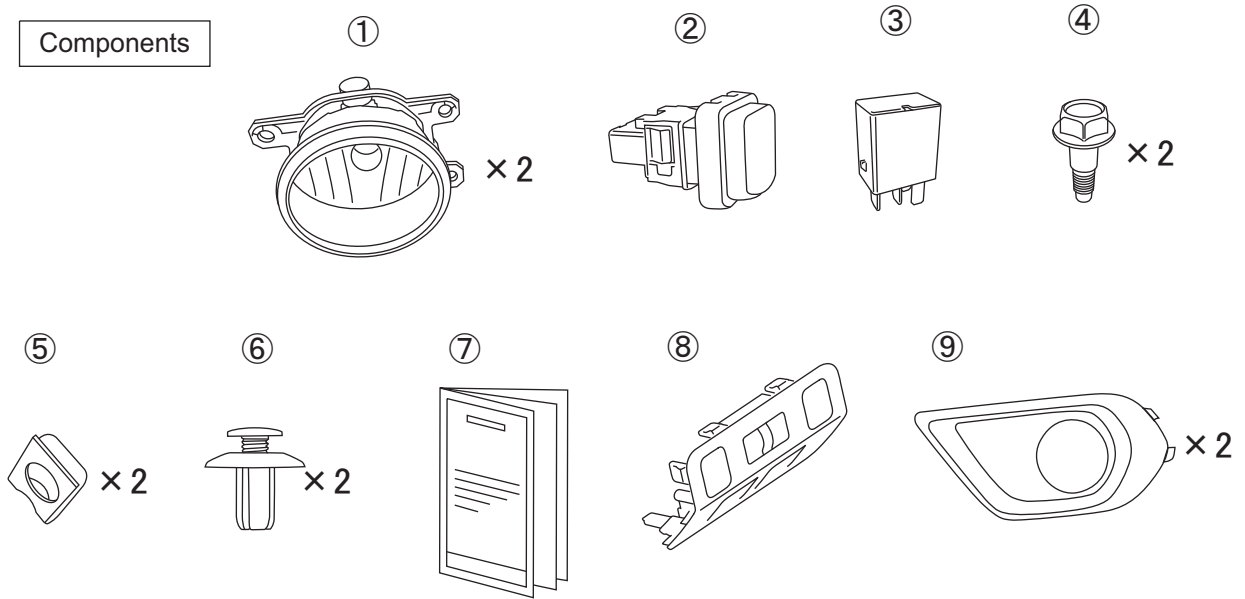


IMPORTANT

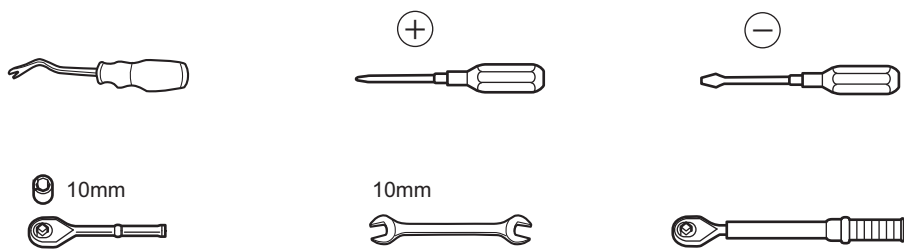
1. Read all instructions before proceeding with installation. If uncomfortable performing any procedures, such as lamp aiming in step 17, have installation performed by a Subaru dealer technician.
2. Pay special attention not to damage vehicle components when removing / installing them.
3. Route wiring so that it does not rub against any sharp edges.



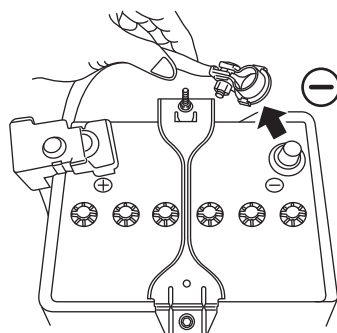
Components



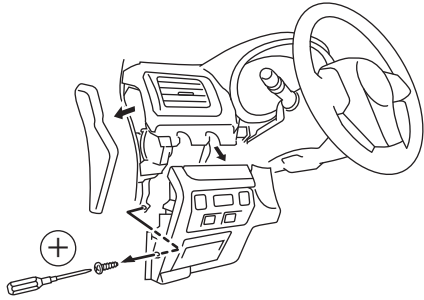
Tools



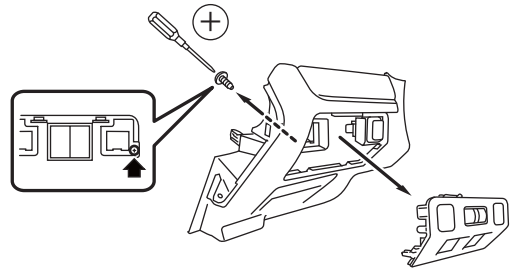
1



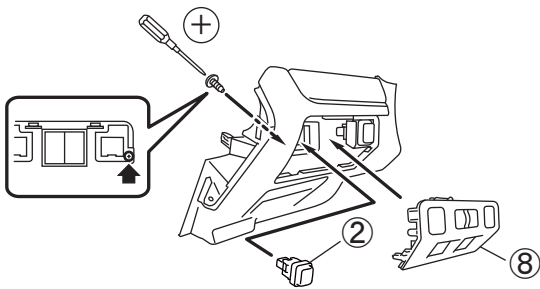
2



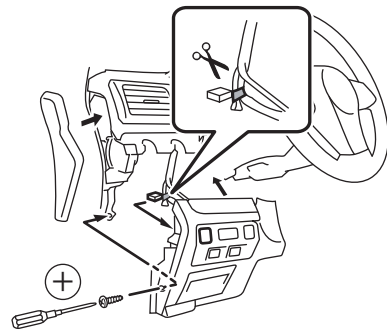
3



4

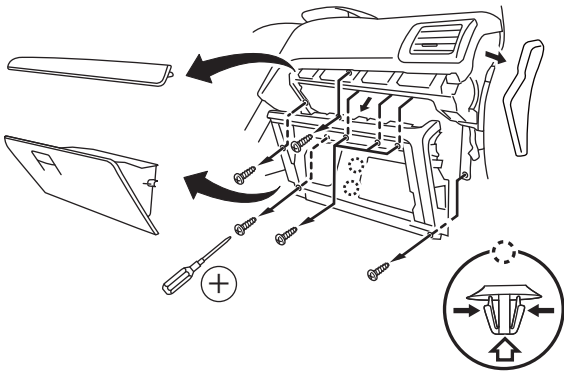


5

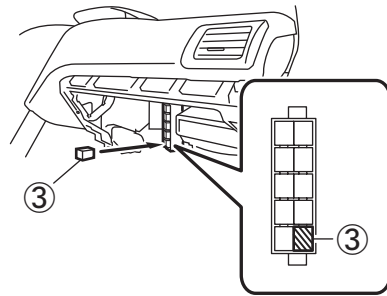


Transfer the switches or dials to the new panel.

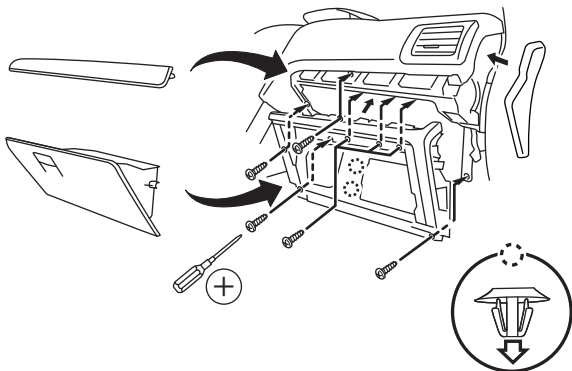
6



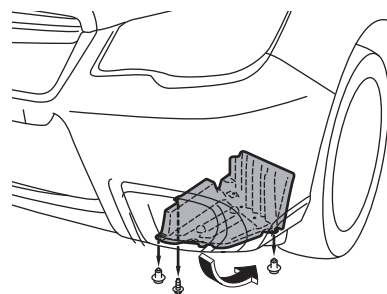
7



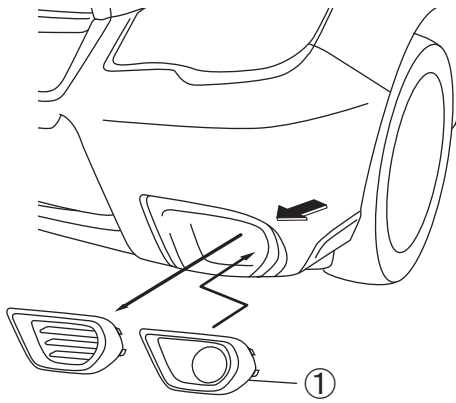
8



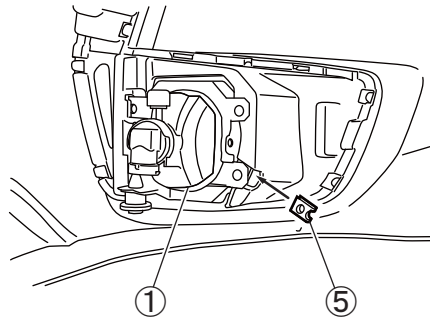
9



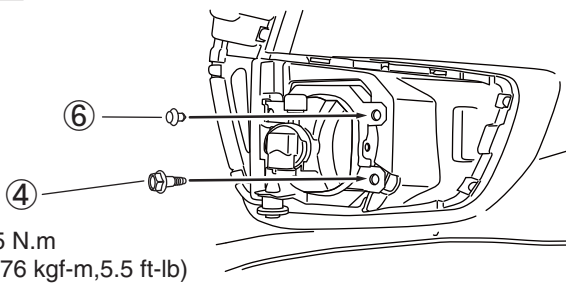
10



11



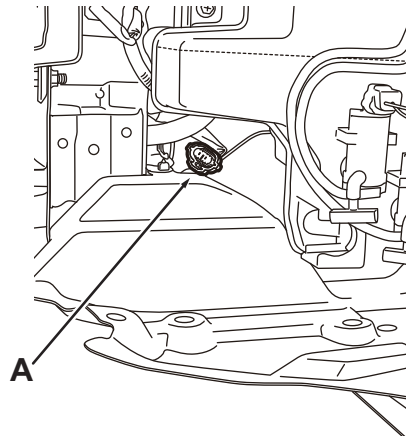
12



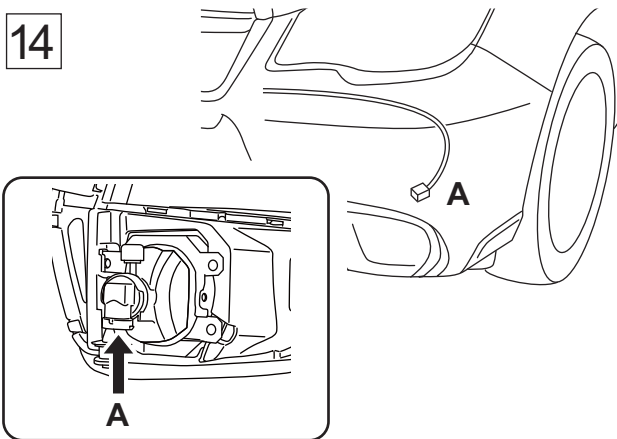
7.5 N.m
(0.76 kgf-m, 5.5 ft-lb)

Install plastic retaining pin 6 before tightening bolt 4.

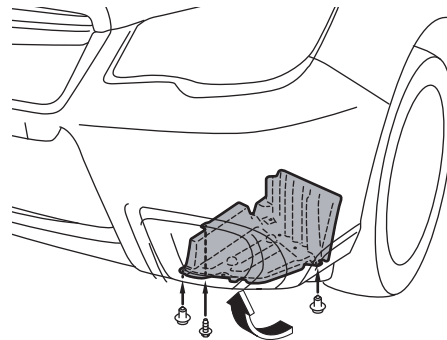
13



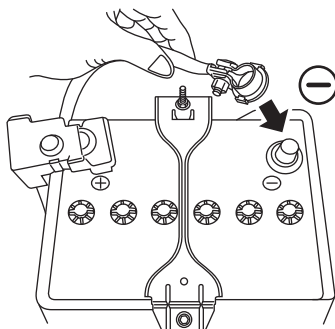
14



15



16



17

Wall View

