

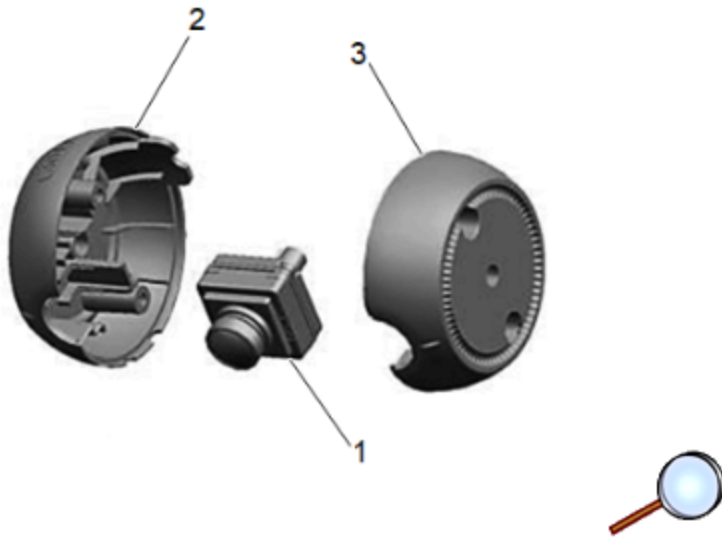
# Auxiliary Rearview Camera Package Installation (Camera Upgrade Instruction ID: 87866710)

## Installation Instruction Part Number

87866710

**Note:** This camera is compatible with model year 2024 and newer vehicles. All earlier model year vehicles use the previous generation camera. Consult the Accessory website for additional details.

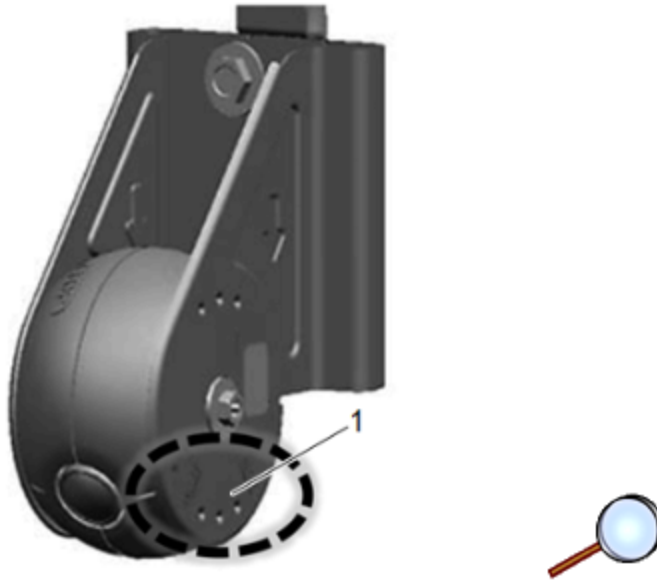
© 2025 General Motors. All rights reserved.



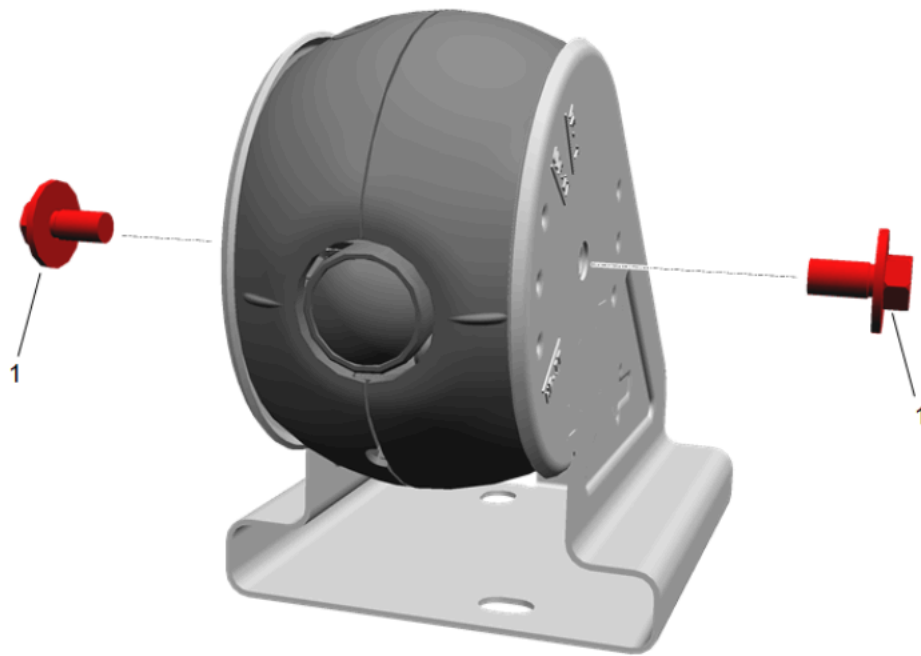
### Kit Contents

Item	QTY.	Description
1	1	Camera
2	1	Left Housing
3	1	Right Housing
-	1	Installation Instructions

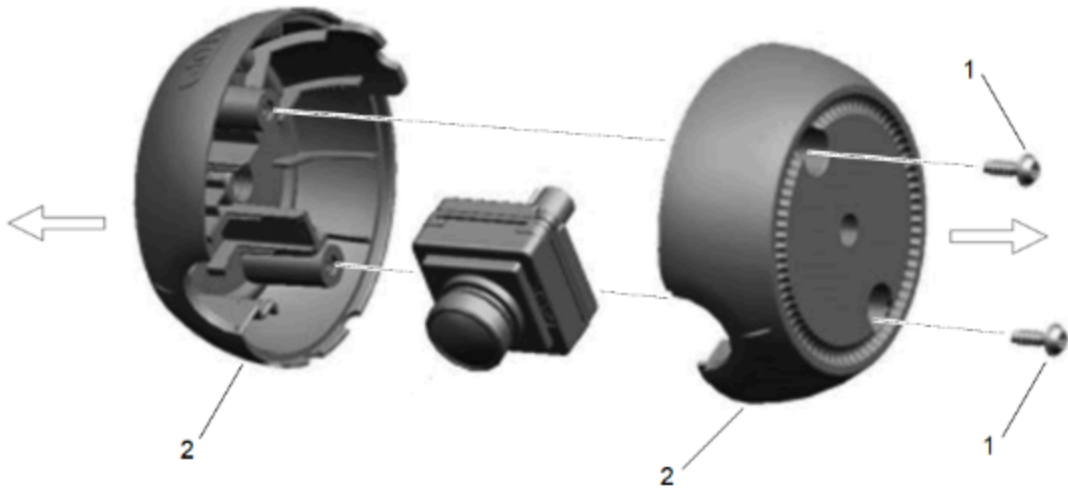
## [Procedure](#)



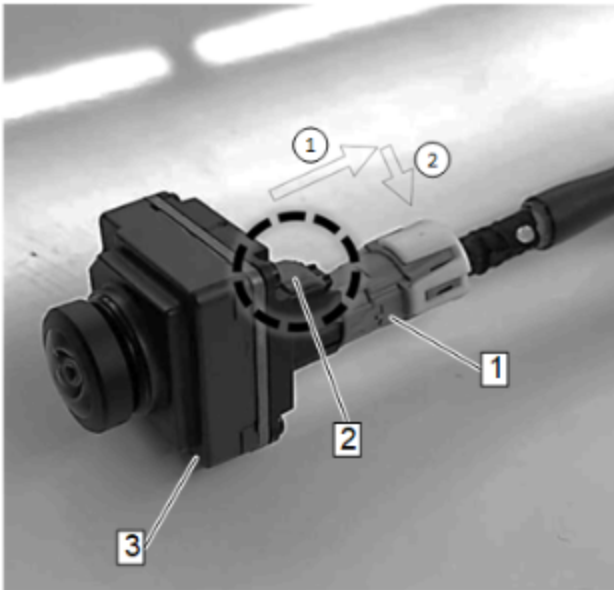
1. Take note of the current camera angle (1) using the reference lines on the housing.



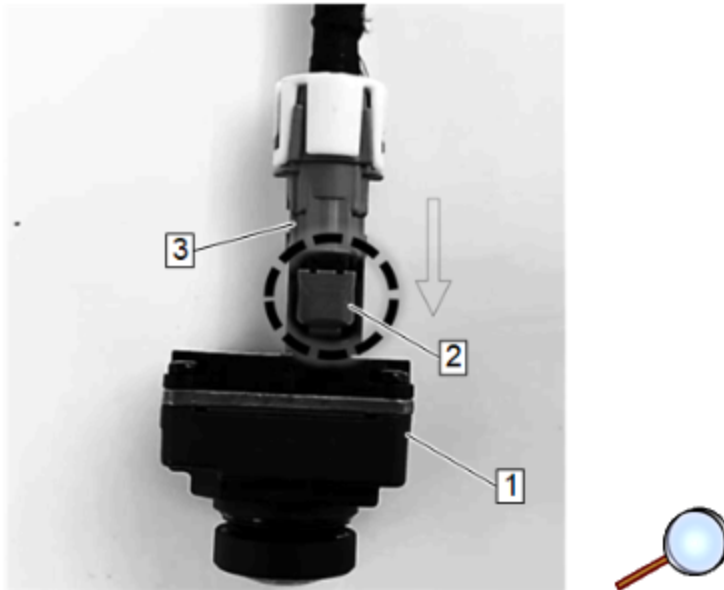
2. Remove both T25 Torx bolts/washers (1) on each side of the camera housing and remove camera from the bracket.



3. Remove the two T10 Torx bolts (1) from the side of the camera housing and separate the two halves (2).

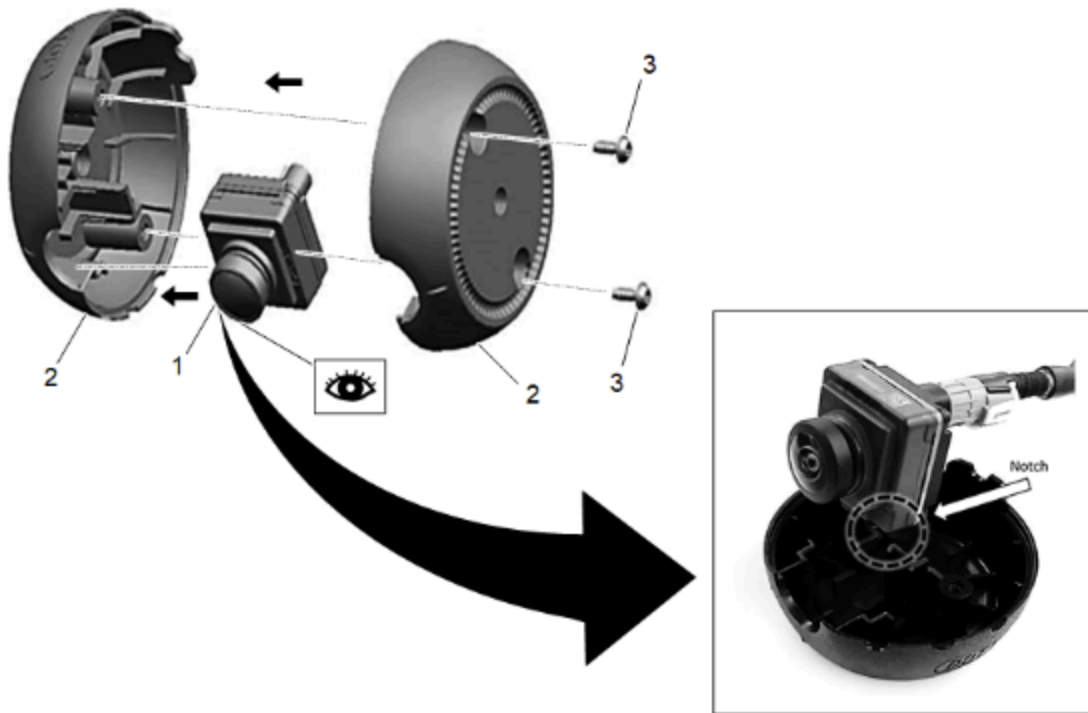


4. Disconnect the camera (3) from the cable (1) by sliding the red locking tab (2) away from the camera. Next, push down on the red tab (2) and pull camera away from the cable.



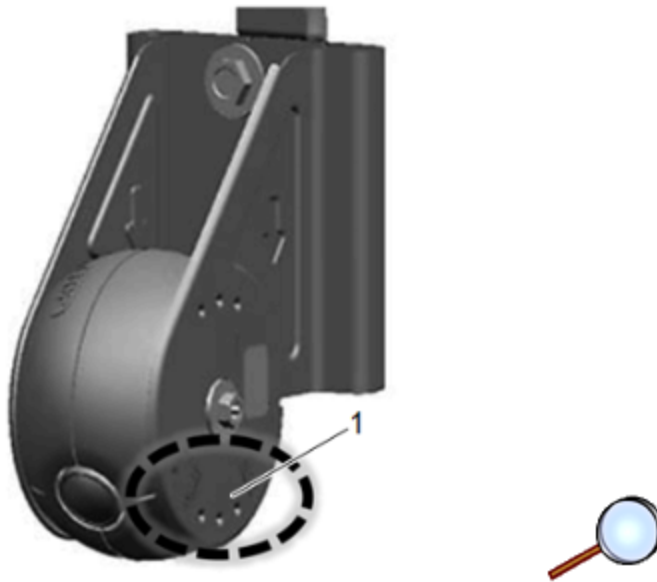
- Attach the new camera (1) to the cable (3) by pushing the connector onto the camera until it clicks in place. Lock the connector by pushing the red tab (2) towards the camera until it also clicks in place.

© 2025 General Motors. All rights reserved.

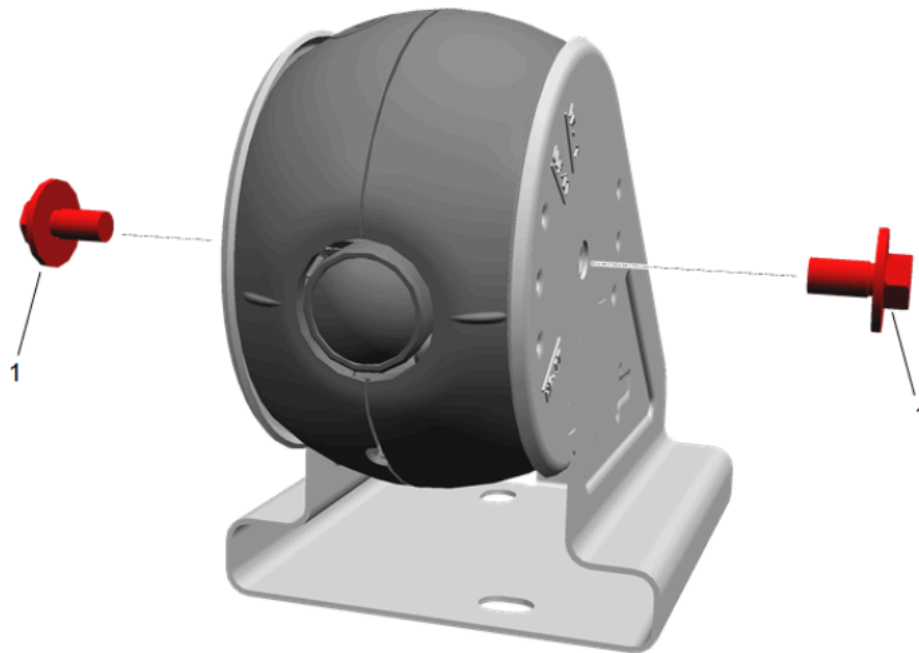


**Caution:** Use the correct fastener in the correct location. Replacement fasteners must be the correct part number for that application. Fasteners requiring replacement or fasteners requiring the use of thread locking compound or sealant are identified in the service procedure. Do not use paints, lubricants, or corrosion inhibitors on fasteners or fastener joint surfaces unless specified. These coatings affect fastener torque and joint clamping force and may damage the fastener. Use the correct tightening sequence and specifications when installing fasteners in order to avoid damage to parts and systems.

6. Position the camera (1) into the new housing (note the position of the notch on the camera). Join the two halves (2). Reinstall and tighten the two T10 Torx bolts (3).



7. Slide camera housing back into the metal bracket at the angle (1) previously noted.



8. Reinstall and tighten the two T25 Torx bolts (1) on each side of the camera bracket.