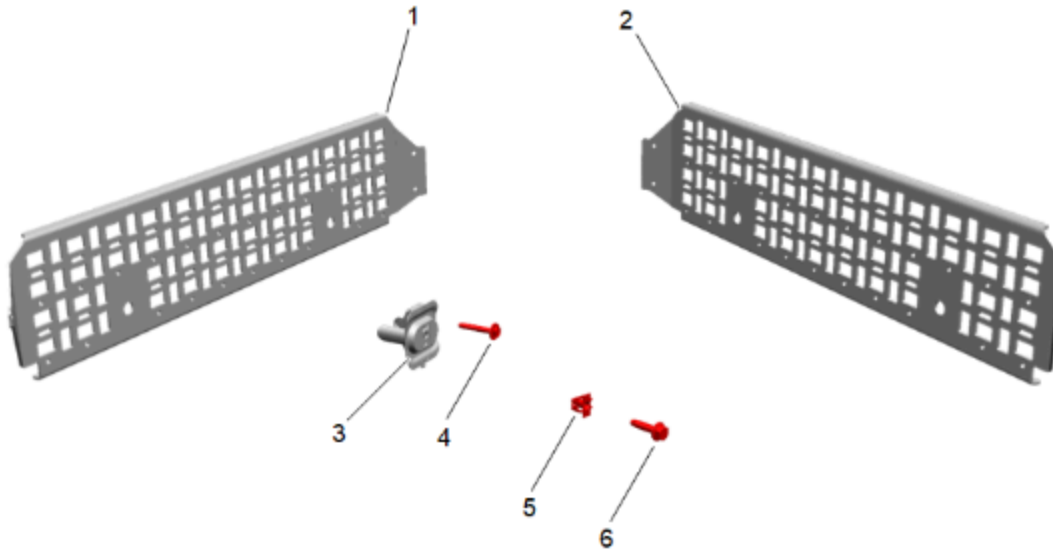


Pickup Box Utility Panel Package Installation (Instruction ID: 85666913)

Installation Instructions Part Number

85666913

© 2024 General Motors. All rights reserved.



Kit Contents

Item	Qty	Description
1	1	Utility Wall - Driver Side
2	1	Utility Wall - Passenger Side
3	4	Tie Down
4	4	Tie Down Bolt
5	6	Push Nut
6	6	Push Nut Bolt
-	1	Installation Instructions

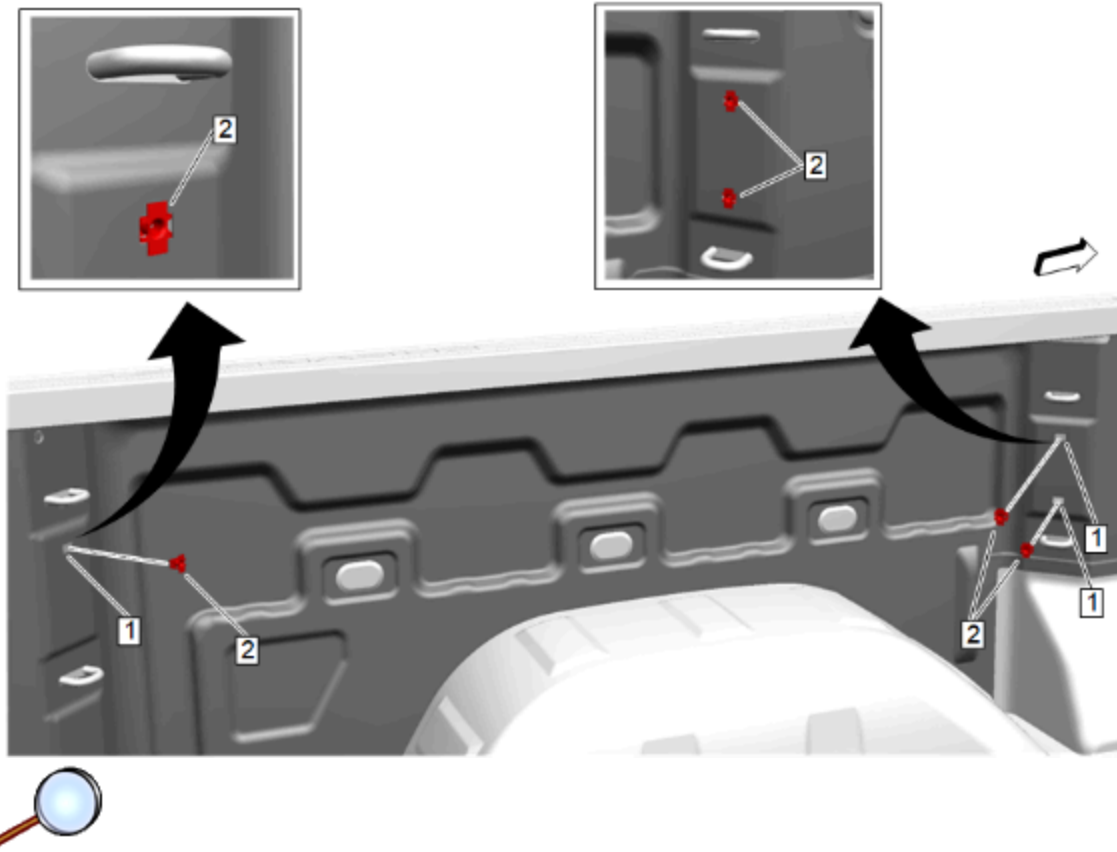
Tools Required

Power Drill

10mm Socket/Wrench

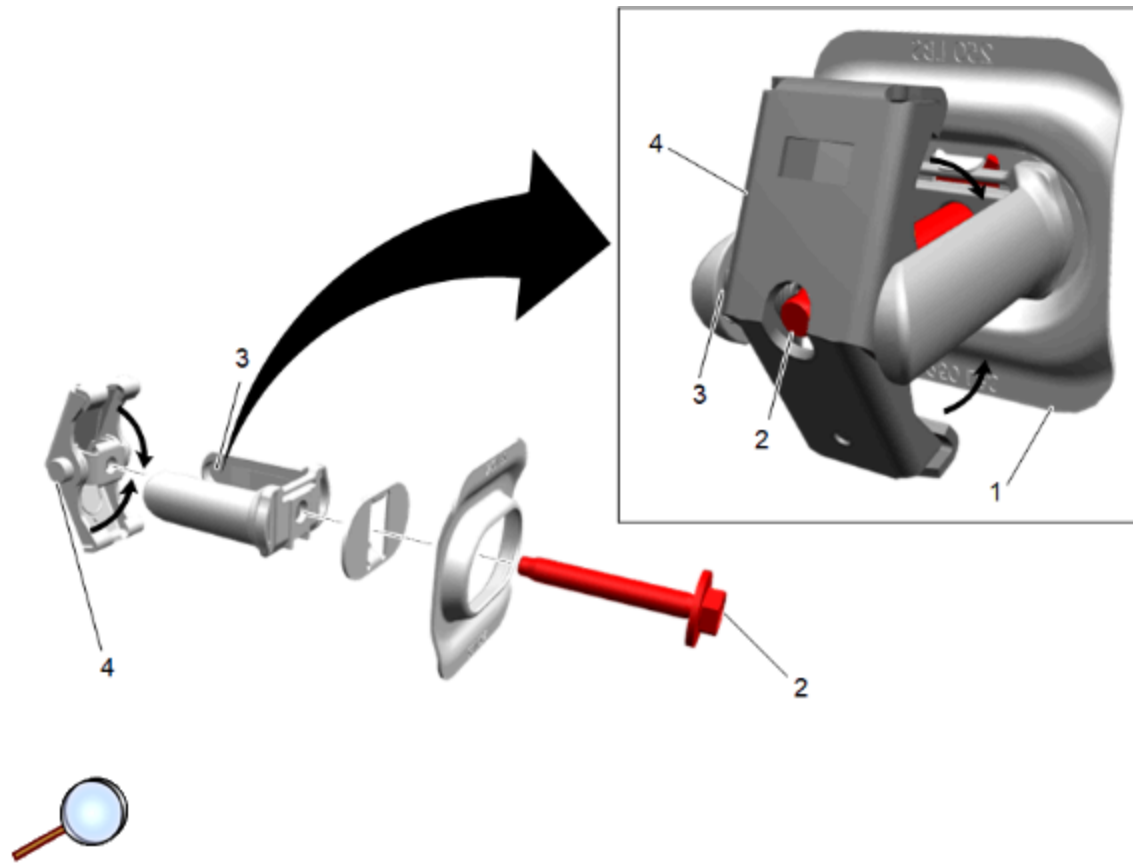
Procedure

1. Clear rear of truck of bed from any dirt or obstructions, clearing the area where the utility walls will be installed.



© 2024 General Motors. All rights reserved.

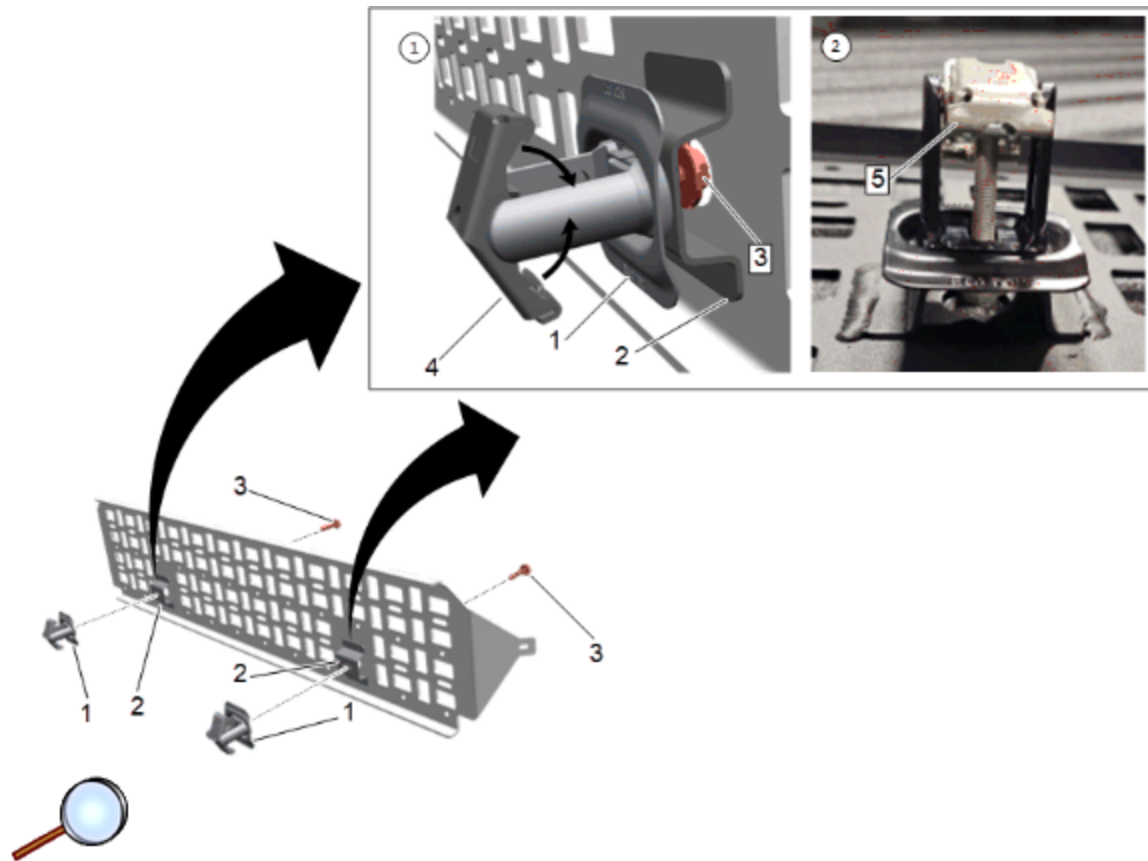
2. Locate the three rectangular holes (1) along the front and rear pillars of the inner panel and install the push-nuts (2). Make sure the push-nuts are flush with the metal panel.



© 2024 General Motors. All rights reserved.

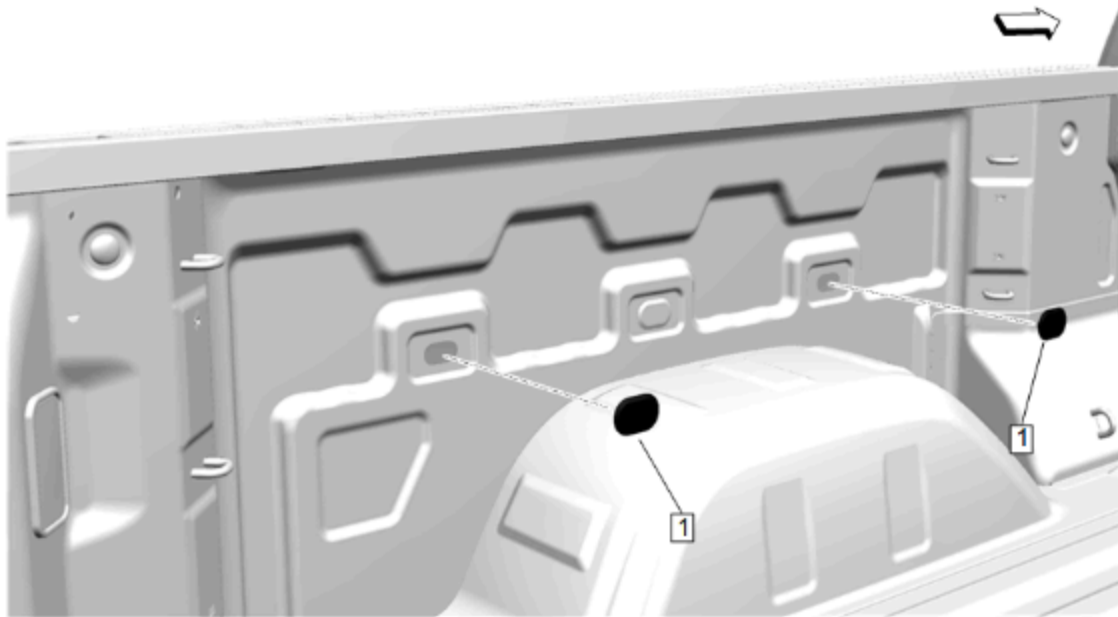
Caution: Use the correct fastener in the correct location. Replacement fasteners must be the correct part number for that application. Fasteners requiring replacement or fasteners requiring the use of thread locking compound or sealant are identified in the service procedure. Do not use paints, lubricants, or corrosion inhibitors on fasteners or fastener joint surfaces unless specified. These coatings affect fastener torque and joint clamping force and may damage the fastener. Use the correct tightening sequence and specifications when installing fasteners in order to avoid damage to parts and systems.

3. Assemble the anchor tie downs (1). Temporarily close alligator clip (4) (image shows finished product in open orientation) and lightly screw in bolt (2) (to remain together). The alligator clip (4) should remain in the detents (3) of the toggle.

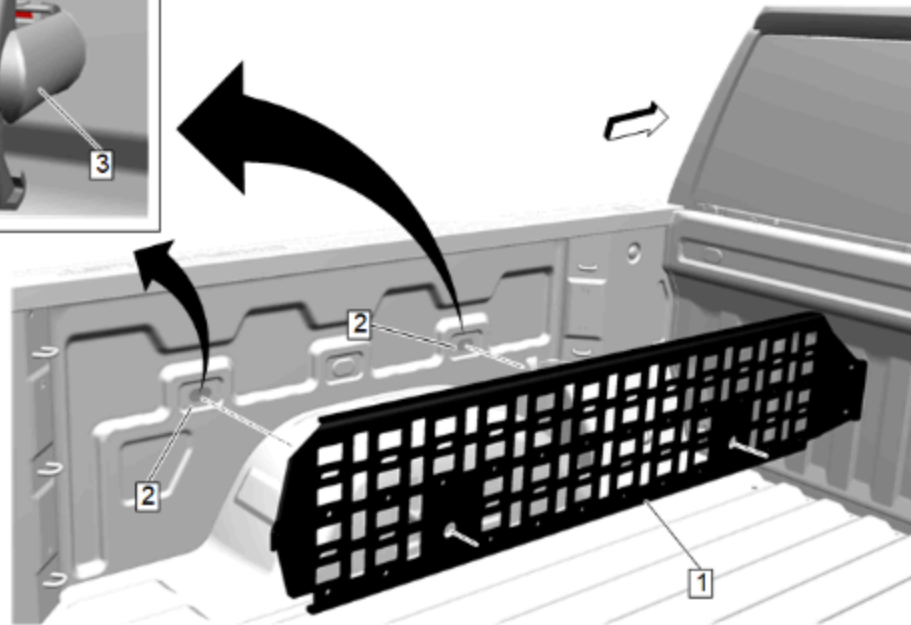
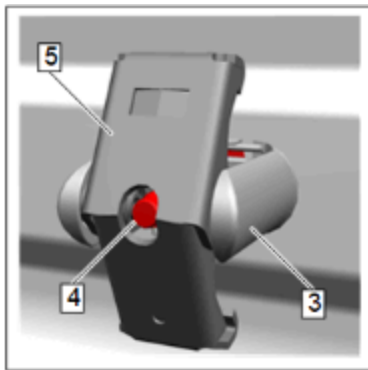


4. Separately from the vehicle, install anchor tie downs (1) to the welded brackets (2) on the back side of the utility panels. These parts are loosely installed at first, it is important that each part in the assembly is oriented correctly.
- 4.1. Remove bolt (3) from tie-down anchor and place assembly (1) behind the welded bracket (2) so that the slot of bracket aligns of with holes for the tie-down and front side of utility panel.
- 4.2. Clamp alligator brackets (4) closed, (image shows alligator bracket in open orientation) and re-install bolt (3). Tighten bolt slightly as the alligator brackets will need to close to slip into position. Alligator brackets should remain in the detents. Hand tighten bolt so the assembly is snug, eliminating play (alligator brackets should still remain in detent when tightened).

Note: Tie down anchors should be assembled to the side panel at this point with the alligator brackets in an open position (5) (Can be closed).

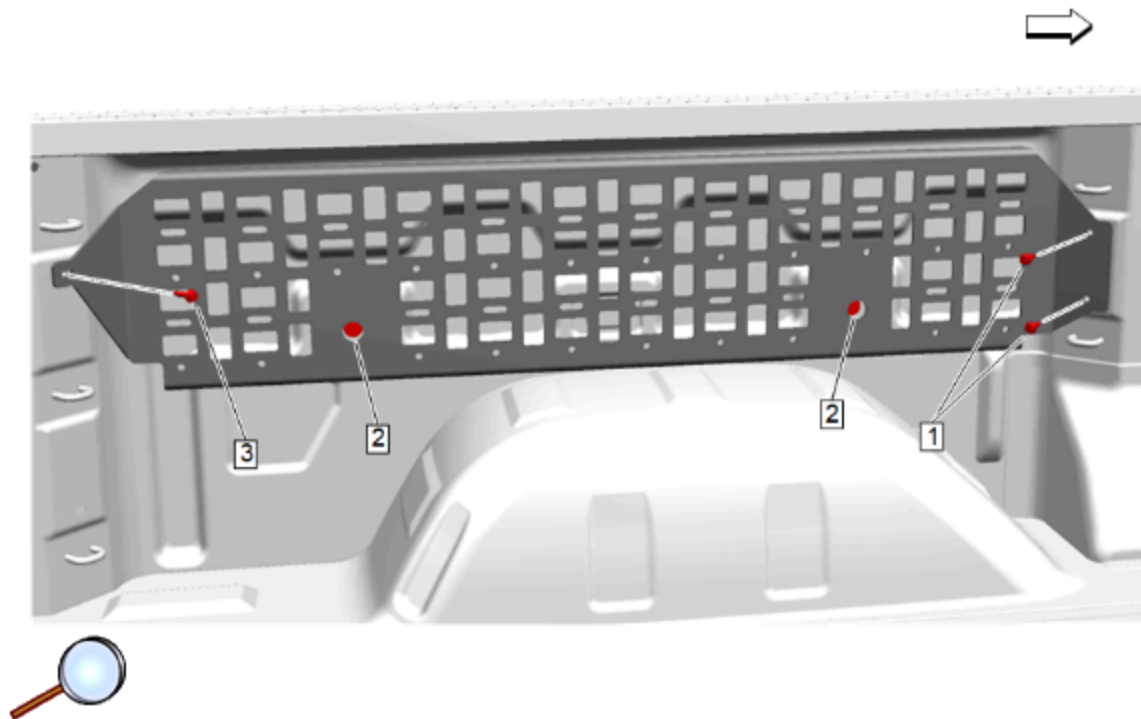


5. Remove the two outer rubber plugs (1) from the pickup box.



Note: Tie down anchors should be assembled to the side panel at this point with the alligator brackets in a close position.

6. Feed the tie-down anchors (3) through the tie-down slots (2) in the inner panels and gently place the utility wall assembly (1) on the side of the box. (Alligator brackets close to fit through inner panel).
- 6.1. Using your thumbs, apply pressure to the head of the tie down bolts and simultaneously push anchors (3) into position (this helps the assembly hold its shape and position). A loud clamp sound will happen when they are put into position.
 - Note:** If any issue pushing tie downs through holes, check that the alligator clip (5) is still in the detents. If not, the clip can't close to fit through hole.
 - Note:** If the wall needs to be removed, turn the bolts counterclockwise slowly and toggle anchors out of truck bed slowly by ensuring alligator clamp is rotated to clear the oval hole in the bed wall.
- 6.2. Tighten bolt (4) until snug, DO NOT torque at this time.



7. Install the front (1) and rear (3) push-nut bolts. Tighten bolts to 9 N.m (7 lb ft).
8. Tighten the tie down anchor bolts (2) to 9 N.m (7 lb ft).
9. Repeat steps for opposite side.