

Document ID: 5903345

Rear Compartment Floor Stowage Compartment Package Installation

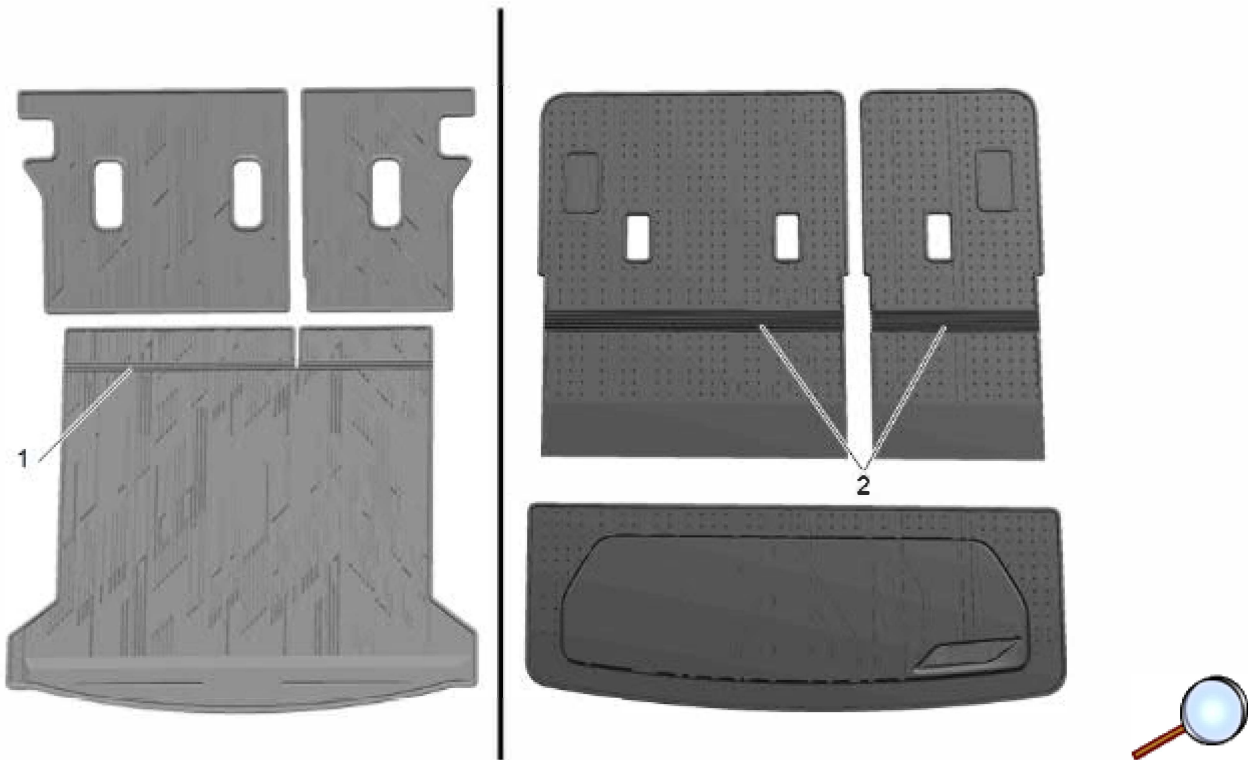
[Installation Instructions Part Number](#)

85540678

Kit Contents

Qty	Description
1	Rear Seat Back Cargo Tray
1	Rear Compartment Cargo Floor Tray
1	Installation Instructions

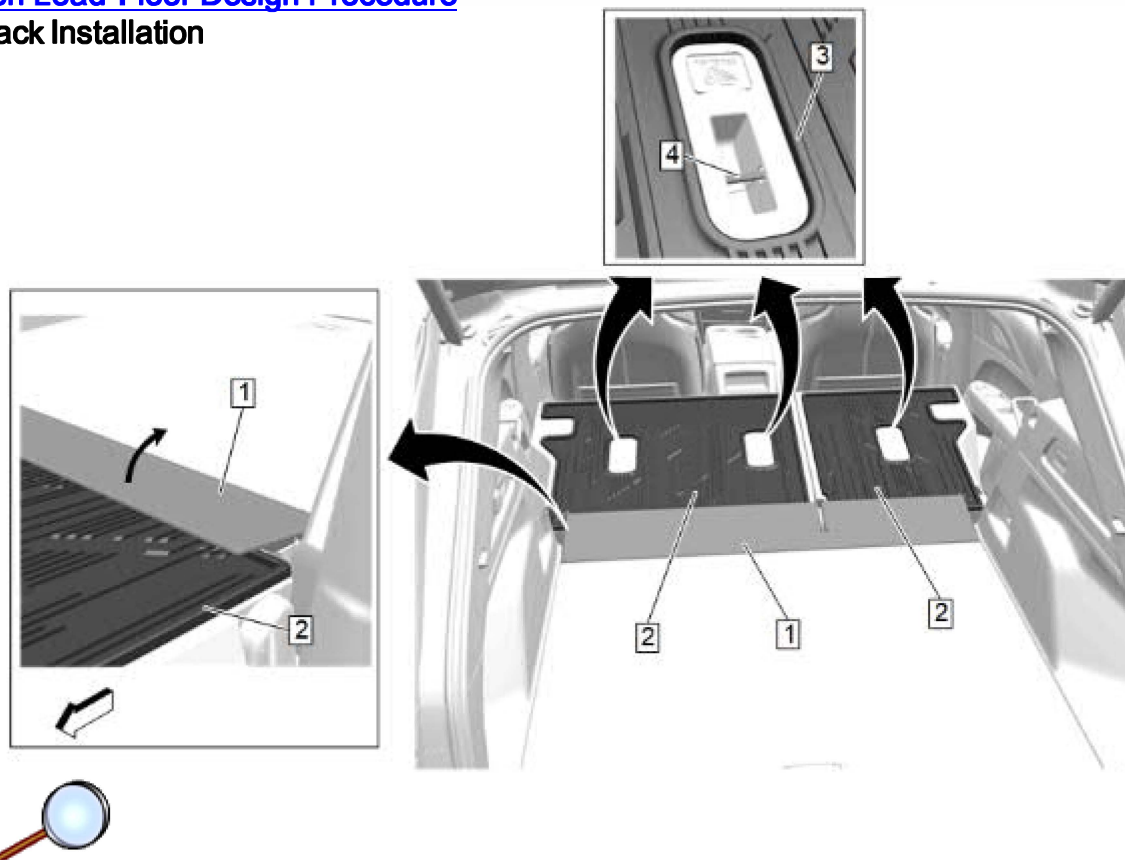
Description



Hinge on load floor design (1)

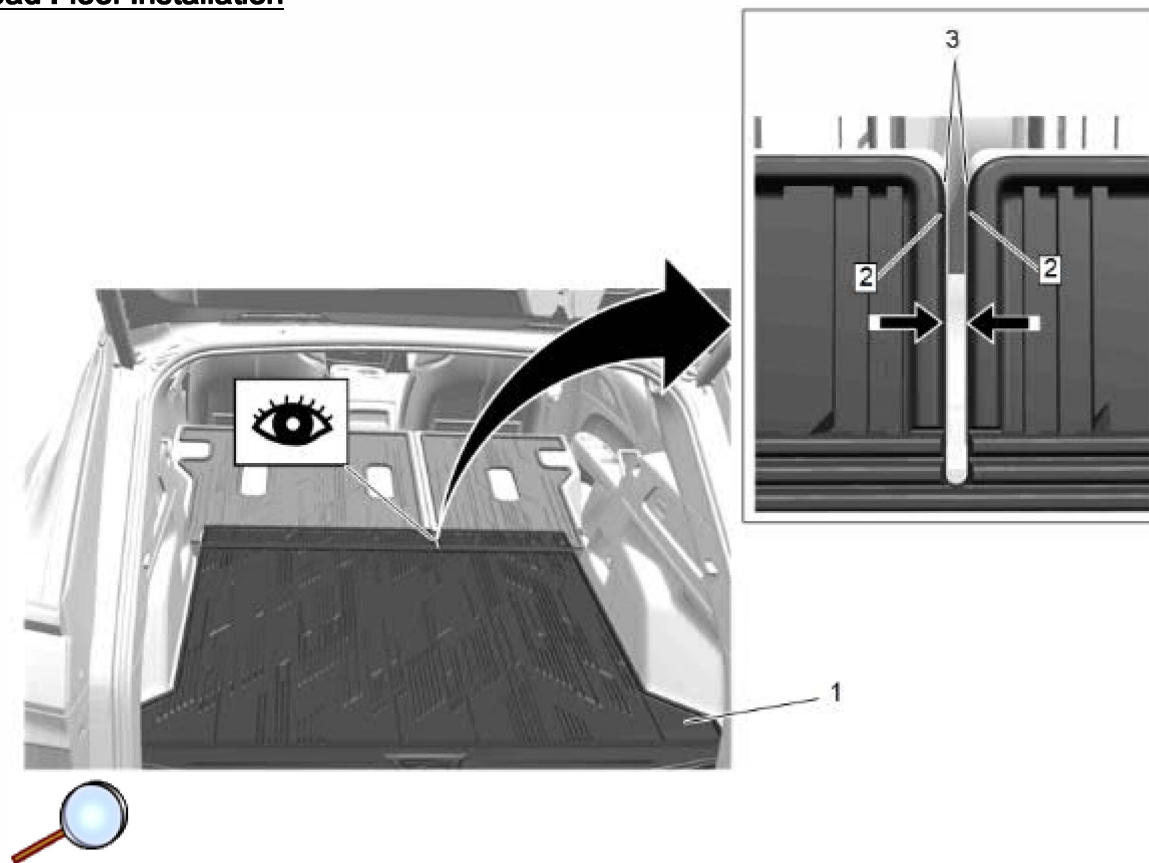
Hinge on seat back design (2)

Hinge on Load-Floor Design Procedure Seat Back Installation



1. Ensure the rear seats are in the down position.
2. Pull up on rear seat back flipper panel (1) and position seat back cargo trays (2) under flipper panel (1).
3. Install the seat back cargo trays (2) aligning the tether openings (3) to the seat tether anchors (4), and tether logo as shown.
4. Apply firm pressure at each hook & loop pad location to secure cargo trays to the seat back.

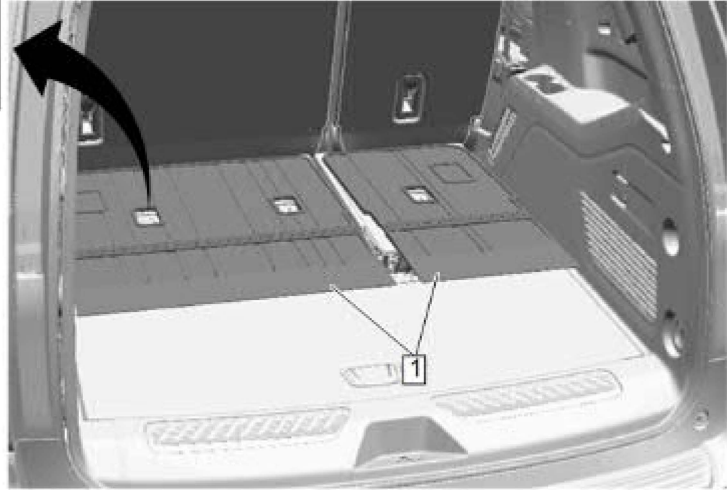
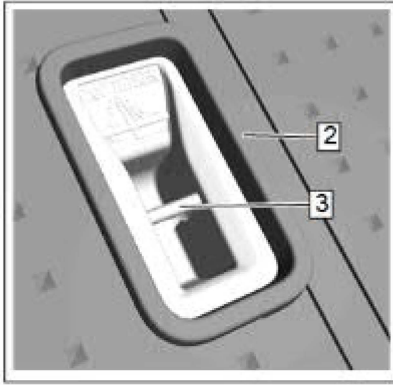
Note: If installed hook & loop pads are not compatible with vehicle carpet locate adhesive adapter pads within included attachment package and follow 'ADHESIVE ADAPTER PAD INSTALLATION' below.

Load Floor Installation

1. Install the rear cargo floor tray (1) aligning edge with the cargo sill plate.
2. Align upper flipper portion (2) of rear cargo floor tray to flipper panel (3) making sure each side is positioned evenly in opening.
3. Apply firm pressure at each hook & loop pad location to secure to the load floor.

Note: If installed hook & loop pads are not compatible with vehicle carpet locate adhesive adapter pads within included attachment package and follow 'ADHESIVE ADAPTER PAD INSTALLATION' below.

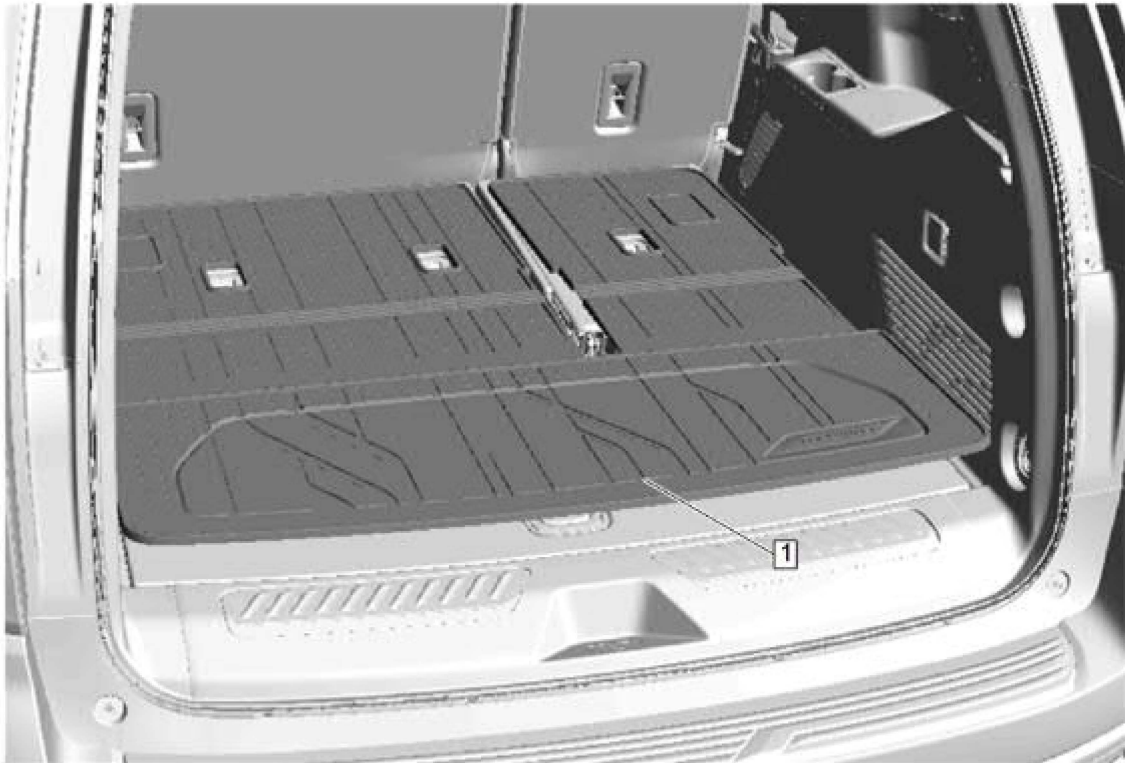
Hinge on Seat Back Design Procedure Seat Back Installation



1. Ensure the rear seats are in the down position.
2. Install the seat back cargo tray pieces (1) aligning the tether openings (2) to the seat tether anchors (3), and tether logo as shown.
3. Apply firm pressure at each hook & loop pad location to secure cargo trays to the seat back.

Note: If installed hook & loop pads are not compatible with vehicle carpet locate adhesive adapter pads within included attachment package and follow 'ADHESIVE ADAPTER PAD INSTALLATION' below.

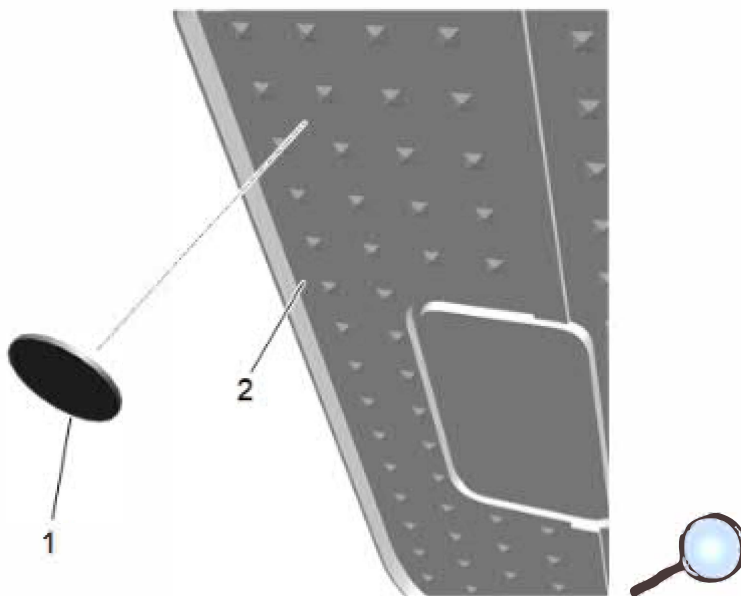
Load Floor.Installation



1. Install the rear cargo floor tray (1) aligning edge with the cargo sill plate.
2. Apply firm pressure at each hook & loop pad location to secure to the load floor.

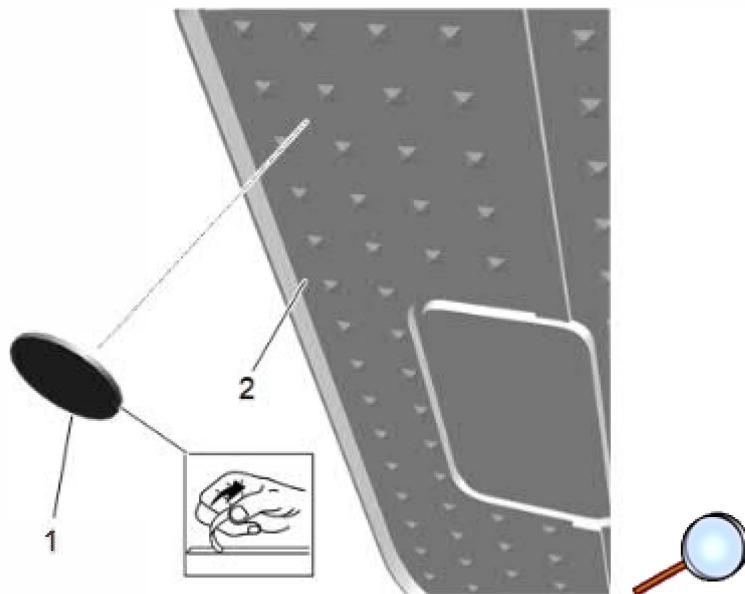
Note: If installed hook & loop pads are not compatible with vehicle carpet locate adhesive adapter pads within included attachment package and follow 'ADHESIVE ADAPTER PAD INSTALLATION' below.

ADHESIVE ADAPTER PAD INSTALLATION



Note: Hook and loop pad quantities vary on application.

1. Remove existing hook & loop pads (1) from seat back or load floor.cargo tray (2).



Note: Hook and loop pad quantities vary on application.

2. Install new adhesive adapter pads (1) to seat back or load floor cargo tray (2) and remove the backing paper from adhesive adapter pads.
3. Install the seat back or load floor cargo tray pieces as per vehicle application above.
4. Apply firm pressure at each hook & loop pad location to secure cargo trays.
5. Wait 15 minutes before adjusting/removing tray from vehicle to allow adhesive to cure.