

Front Grille Package Installation

[Installation Instructions Part Number](#)

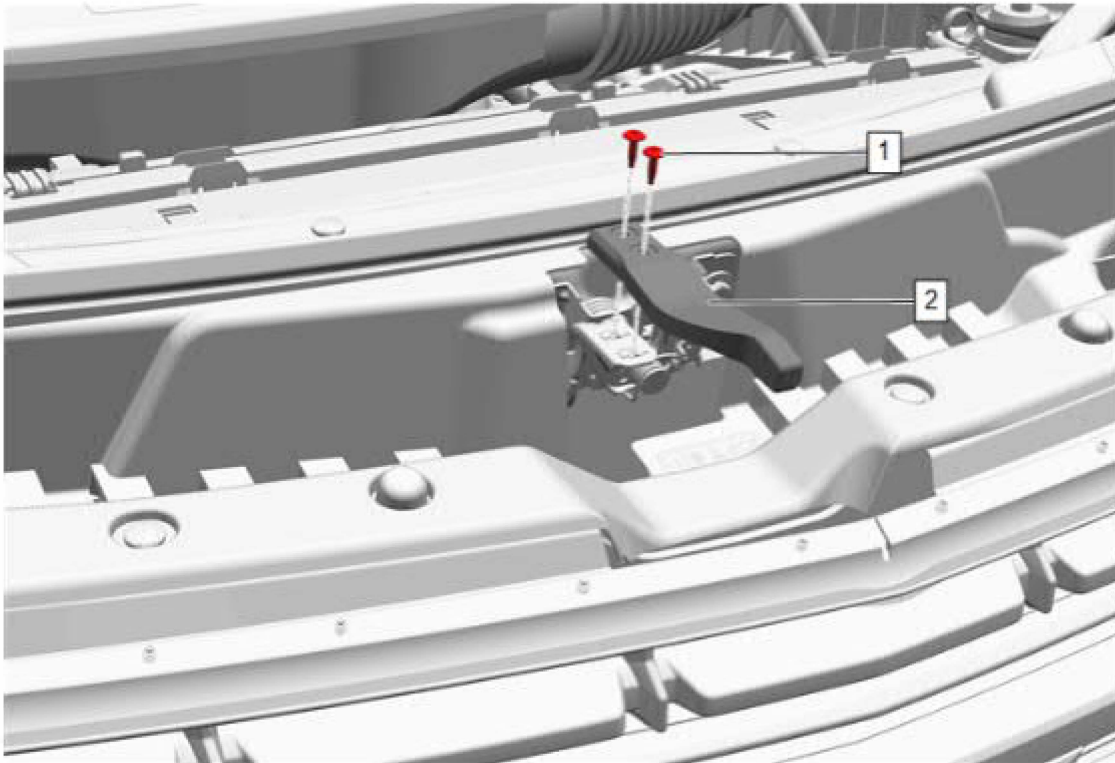
84714647

Kit Contents

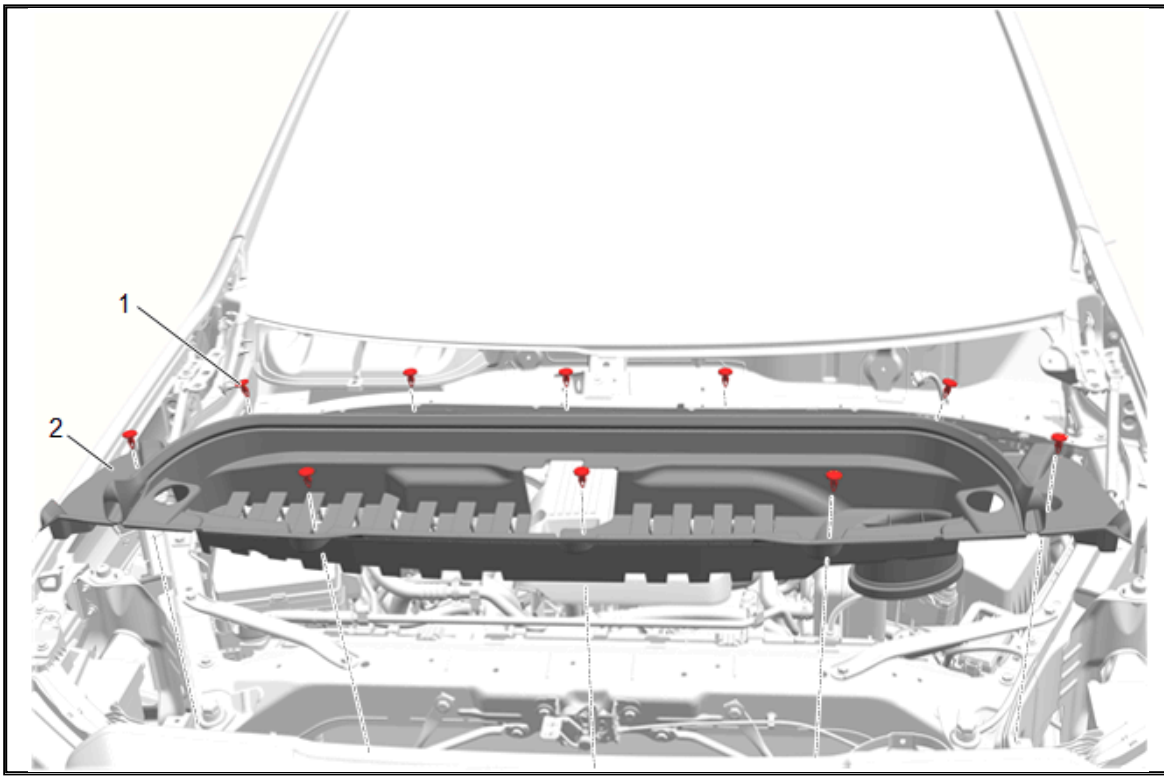
Qty	Description
1	Front Grille
1	Installation Instructions

[Procedure](#)

Remove OEM Grille

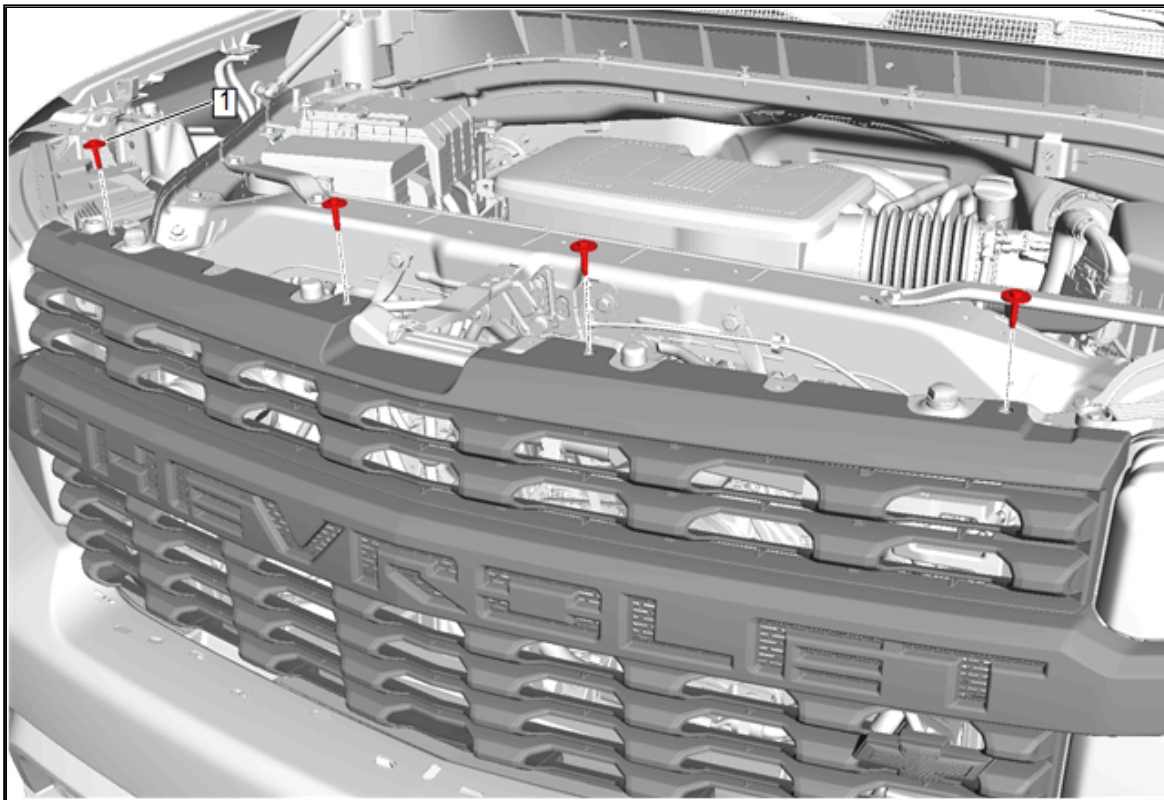


1. Hood Latch Actuator Bolt (1) » Remove [2x]
2. Hood Secondary Latch Release Handle (2) » Remove

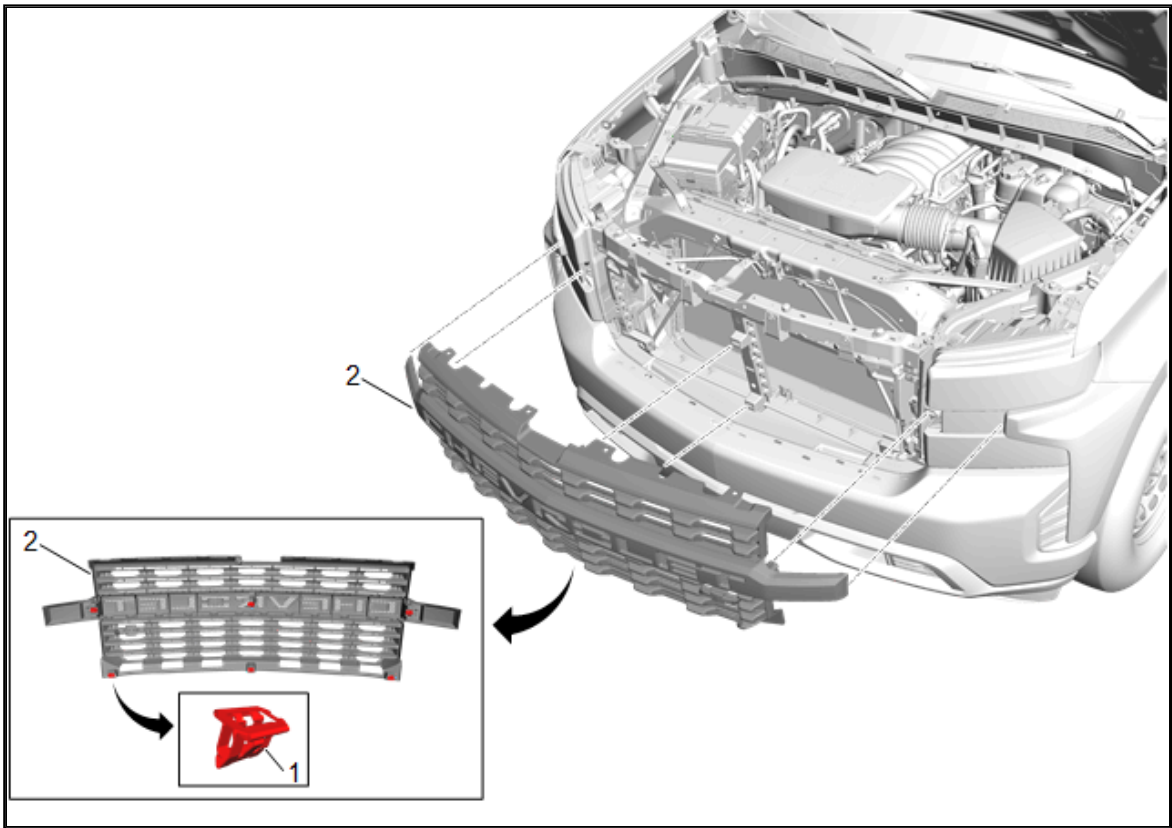


3. Intake Air Baffle Retainer (1) » Remove [10x]

4. Intake Air Splash Shield (2) » Remove



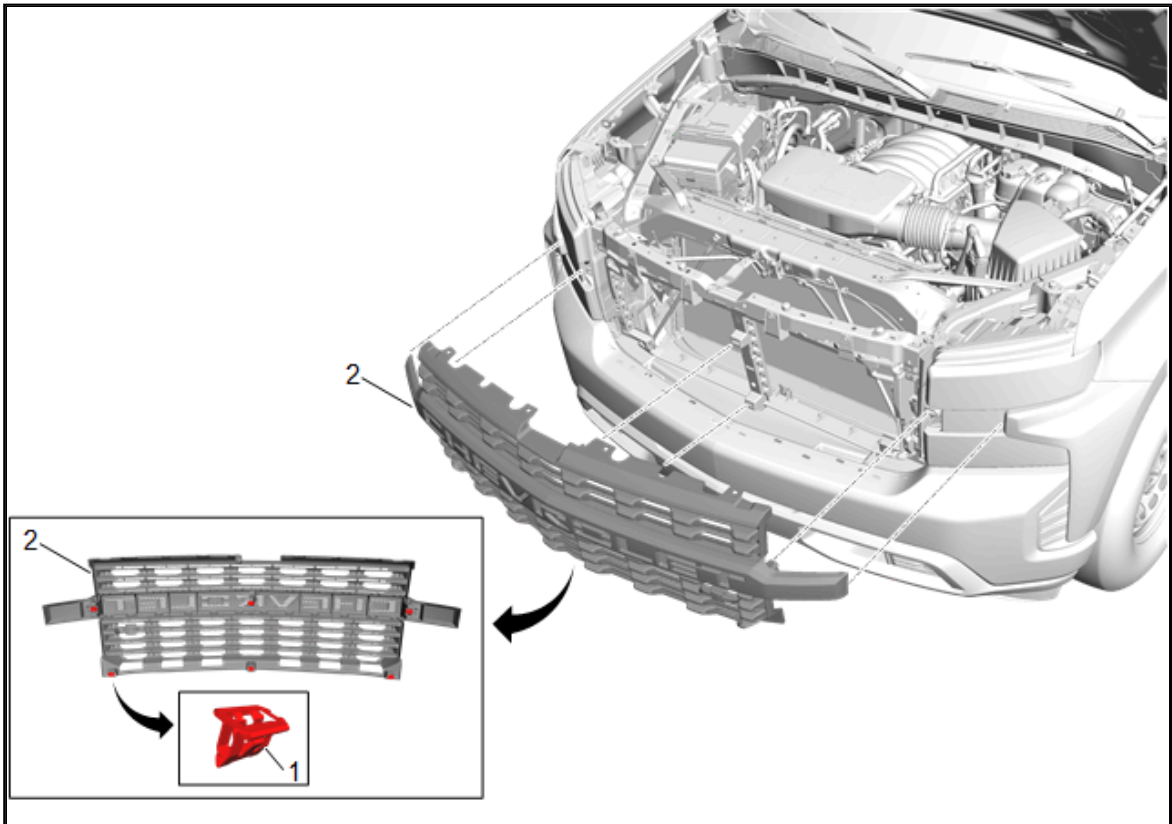
5. Front Grille Bolt (1) » Remove [4x]



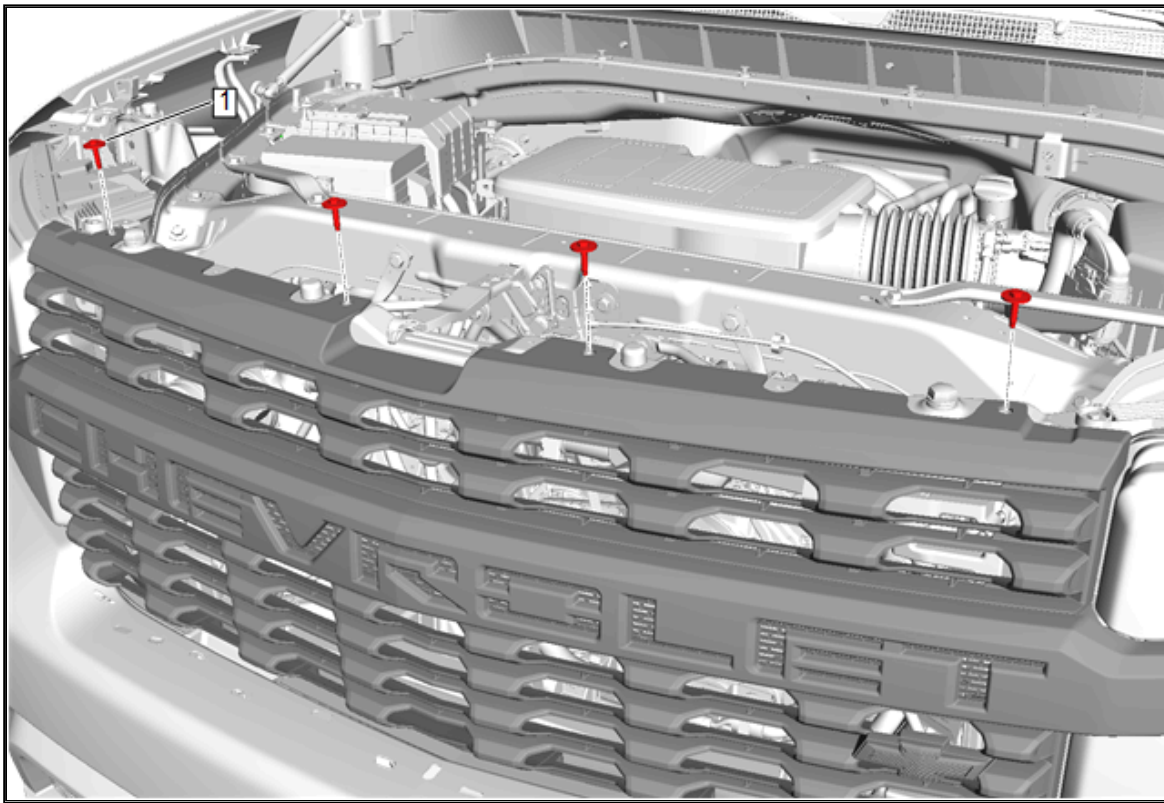
6. Front Grille Clip (1) » Release [6x]

7. Front Grille (2) » Remove

Install Accessory Grille

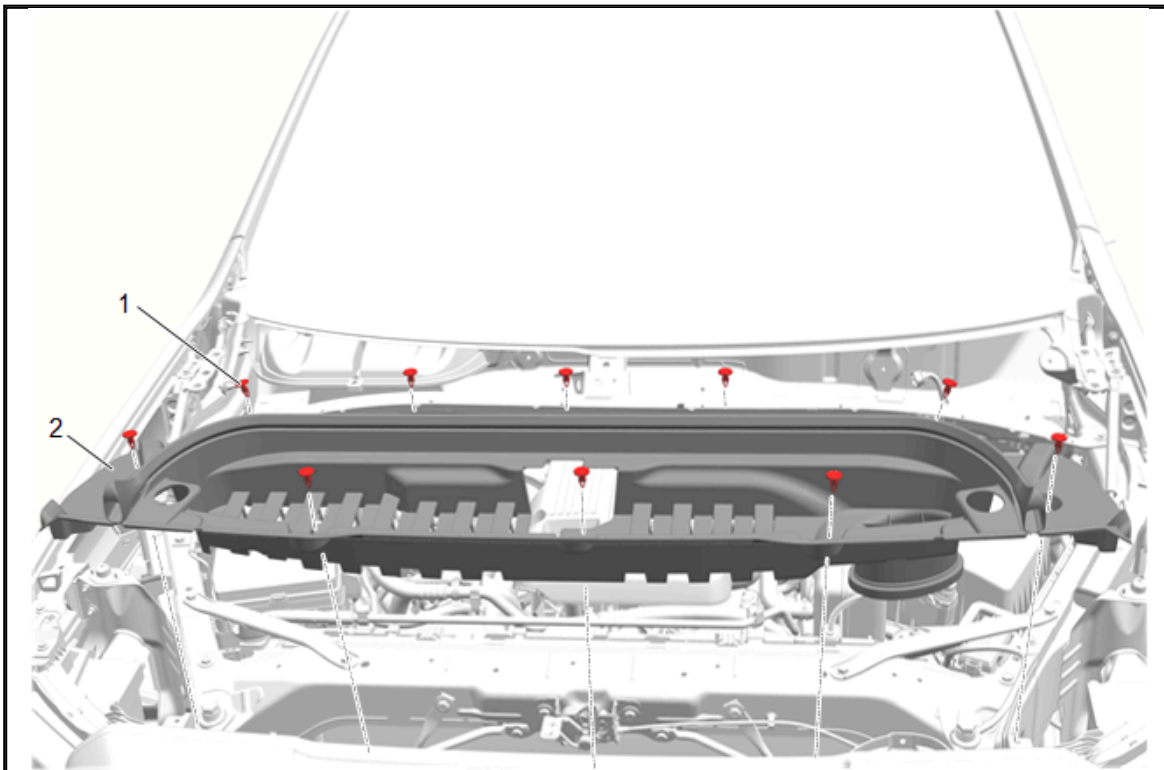


1. Front Grille (2) » Install



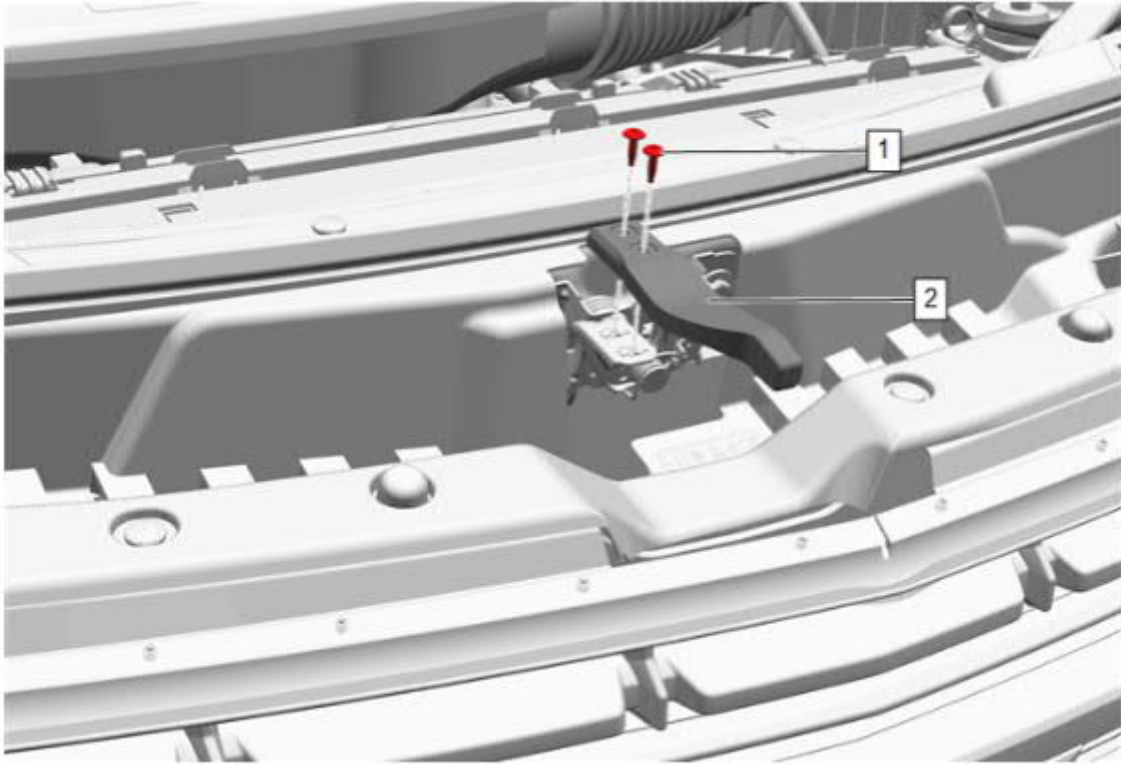
Caution: Use the correct fastener in the correct location. Replacement fasteners must be the correct part number for that application. Fasteners requiring replacement or fasteners requiring the use of thread locking compound or sealant are identified in the service procedure. Do not use paints, lubricants, or corrosion inhibitors on fasteners or fastener joint surfaces unless specified. These coatings affect fastener torque and joint clamping force and may damage the fastener. Use the correct tightening sequence and specifications when installing fasteners in order to avoid damage to parts and systems.

2. Front Grille Bolt (1) » Install and tighten [4x] — Tighten to 7 N.m (62 lb in).



3. Intake Air Splash Shield (2) » Install

© 2021 General Motors. All rights reserved.



5. Hood Secondary Latch Release Handle (2) » Install
6. Hood Latch Actuator Bolt (1) » Install and tighten [2x] — Tighten to 2.5 N.m (22 lb in).