

# Front Tow Hook Package Installation

## Installation Instructions Part Number

84726051

### Kit Contents

Qty	Description
2	Tow hook
2	Bolt P/N 11589273
2	Bolt P/N 11610915
2	Nut P/N 11549169
1	Installation Instructions

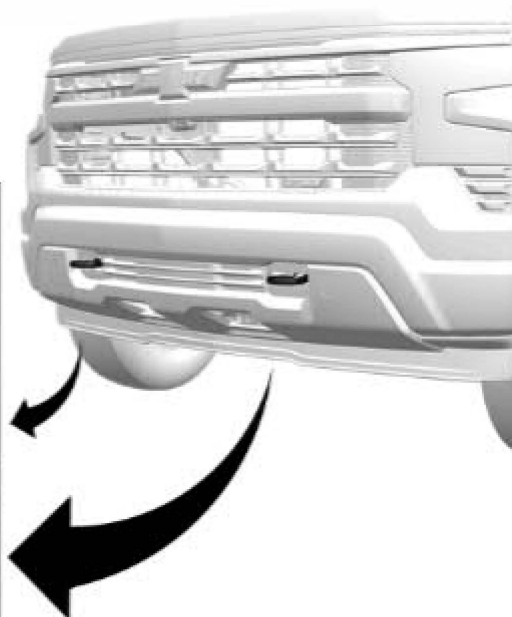
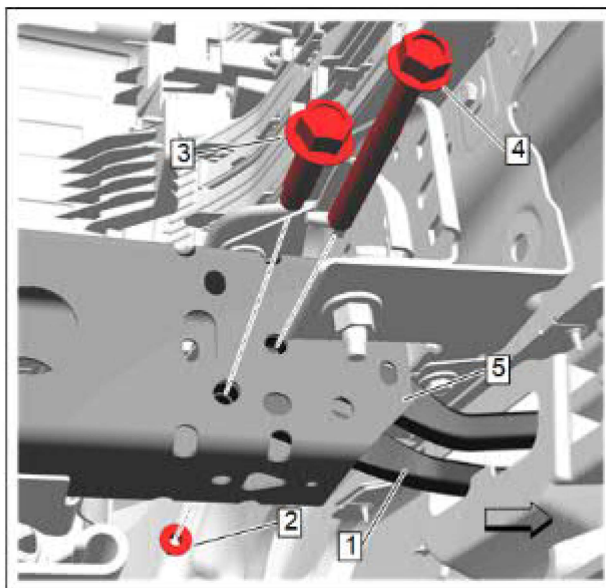
### Special Tools

- EN-45059 Angle Meter

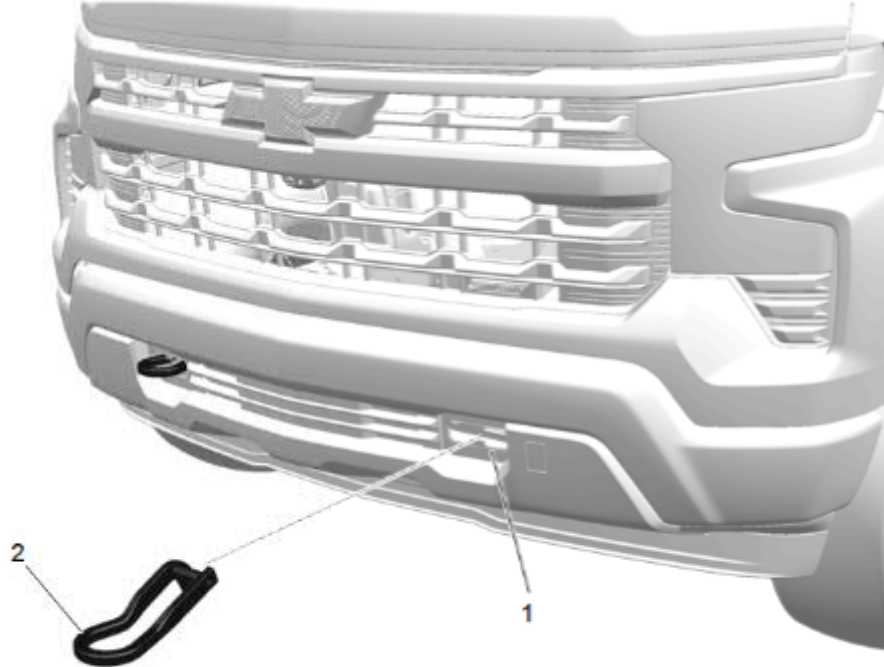
Equivalent regional tools: [Special Tools](#)

### Removal Procedure

1. Raise and support the vehicle. [Lifting and Jacking the Vehicle](#)

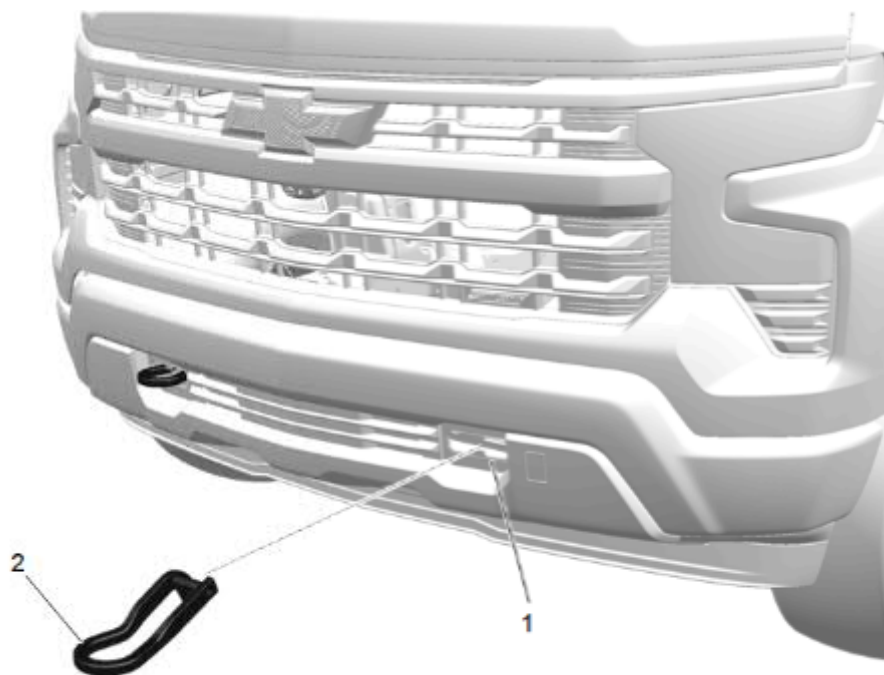


2. Remove the front tow hook nut (2) and discard.
3. Remove front tow hook bolt (4) from tow hook (1) and frame (5). Discard bolt.
4. Remove front tow hook bolt (3) from tow hook (1) and frame (5). Discard bolt.

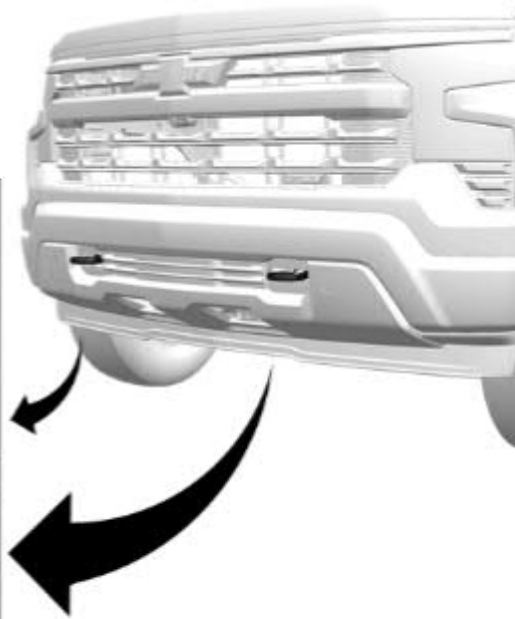
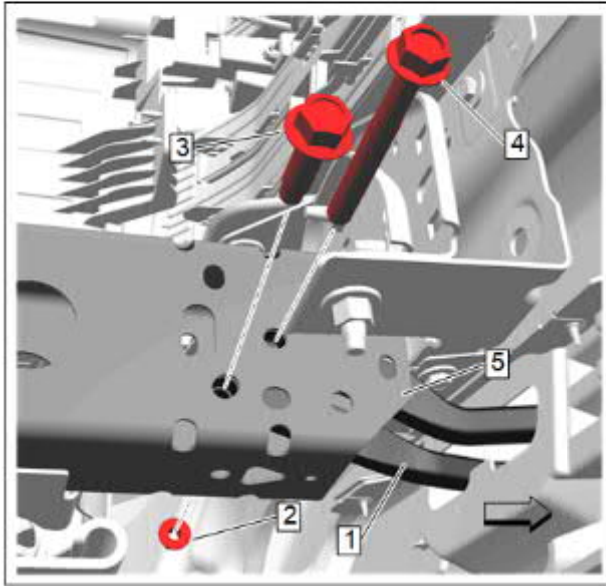


5. Remove front tow hook (2) from front bumper fascia tow hook opening (1).
6. Repeat steps 2 through 5 for opposite side.

### **Installation Procedure**



1. Install new front tow hook (2) through front bumper fascia tow hook opening (1).



2. Position new front tow hook (1) to the holes in the frame (5).

**Caution:** Refer to [Fastener Caution](#).

3. Install new front (short) tow hook bolt (3).

4. Install new (long) front tow hook bolt (4).

5. Install new front tow hook nut (2). Hand tighten.

**Caution:** This vehicle is equipped with torque-to-yield or single use fasteners. Install a NEW torque-to-yield or single use fastener when installing this component. Failure to replace the torque-to-yield or single use fastener could cause damage to the vehicle or component.

6. Front Tow Hook Bolt (3) » Install NEW and tighten

6.1. First Pass: **75 Y (55 lb ft)**

6.2. Final Pass: **60 - 75 degrees**, using the *EN-45059* Angle Meter

**Caution:** This vehicle is equipped with torque-to-yield or single use fasteners. Install a NEW torque-to-yield or single use fastener when installing this component. Failure to replace the torque-to-yield or single use fastener could cause damage to the vehicle or component.

7. Front Tow Hook Bolt (4) » Tighten

7.1. First Pass: **75 Y (55 lb ft)**

7.2. Final Pass: **90 - 105 degrees**, using the *EN-45059* Angle Meter

8. Repeat steps 1 through 7.2. for opposite side.

9. Lower the vehicle.