

Document ID: 5343308

## Body Emblem Package Installation

**Table 1:** [Kit Contents \(Tahoe\)](#)

**Table 2:** [Kit Contents \(Suburban\)](#)

**Table 3:** [Kit Contents \(Premier/Duramax/HighCountry\)](#)

### Installation Instructions Part Number

84583211

#### Kit Contents (Tahoe)

Qty	Description
2	Emblem (Side Doors) -"TAHOE"
1	Emblem (Liftgate) - "TAHOE"
1	Emblem (Liftgate) - "LT"
1	Emblem (Liftgate) - "RST"
—	Alcohol Wipes
1	Installation Instructions

#### Kit Contents (Suburban)

Qty	Description
2	Emblem (Side Doors) -"SUBURBAN"
1	Emblem (Liftgate) - "SUBURBAN"
1	Emblem (Liftgate) - "LT"
1	Emblem (Liftgate) - "RST"
—	Alcohol Wipes
1	Installation Instructions

#### Kit Contents (Premier/Duramax/HighCountry)

Qty	Description
1	Emblem (Liftgate) - "PREMIER"
1	Emblem (Liftgate) - "DURAMAX"

Qty	Description
1	Emblem Badge (FENDER – RH) – "HIGH COUNTRY"
1	Emblem Badge (FENDER – LH) – "HIGH COUNTRY"
—	Alcohol Wipes
1	Installation Instructions

### Tools Required

Masking Tape

Rubber Roller

Scissors

Plastic Flat-Bladed Tool

Isopropyl Alcohol

Clean lint-free towels

### Before you start

**Note:** For the emblem to adhere best, the vehicle's mating surface (doors, rear compartment, etc.) should be free of damage (dents, scratches, creases, fractures, etc.).

**Caution:** Use a plastic, flat-bladed tool to prevent paint damage when removing an emblem/name plate.

- The part and surface should be 21°C (70°F) prior to installation. The vehicle should remain 21°C (70°F) for one hour after assembly to allow adhesive to develop sufficient bond strength.
- Wash the vehicle mating surfaces (Door or Liftgate) with a non-petroleum based cleaning product. If a stronger cleaner is required to remove any contaminants, use 3M general purpose Adhesive Cleaner (P/N 08984). Then, thoroughly dry with a soft clean cloth.

### Procedure

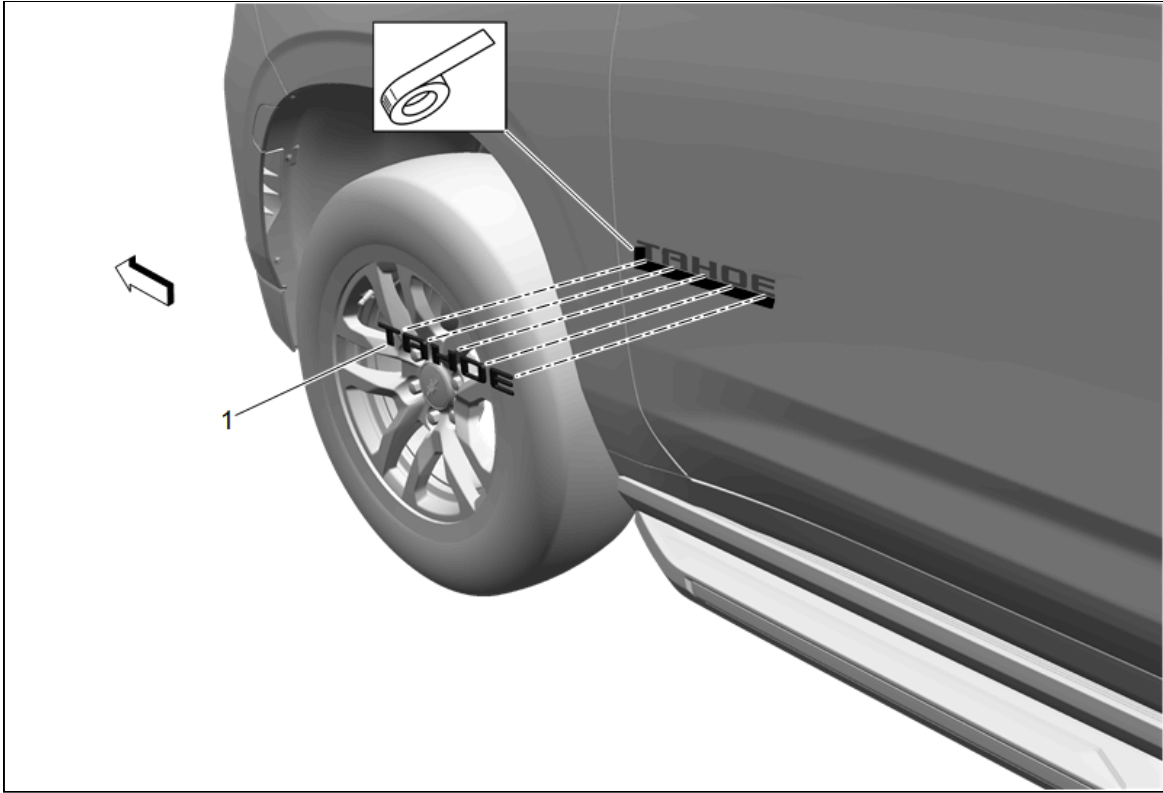
**Caution:** Only install black badges as a direct replacement of the existing vehicle content and discard any unused parts which are not used for this trim level.

- Apply masking tape around existing nameplates to be replaced. Tape the left side and the bottom edge of the existing nameplate. This will be the locating feature for the new Accessory emblem.

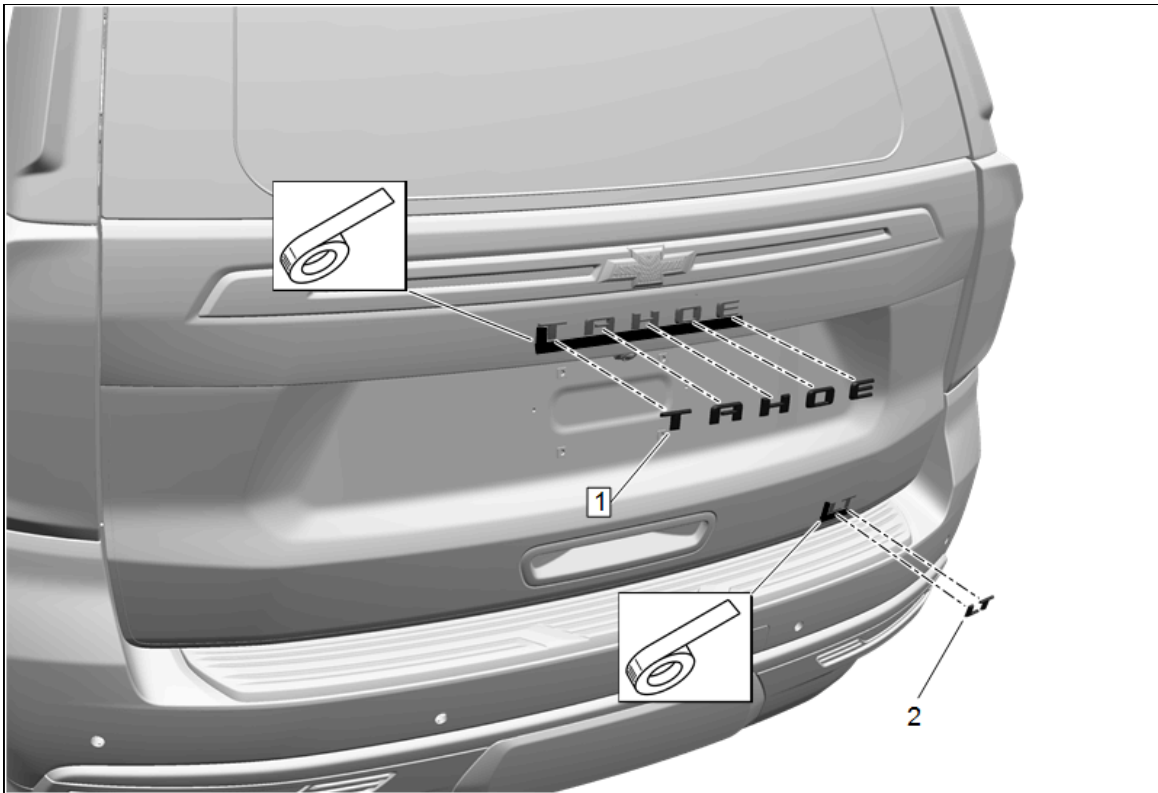
**Caution:** DO NOT use heat gun to remove emblems from any plastic part (applique) or around any plastic part. Applying heat to emblem may damage the finish of the surrounding plastic part (applique) resulting in replacing the plastic parts (applique).

- Pry the emblem/nameplate off the vehicle body using a plastic flat-bladed tool.
- Heavy foam/adhesive residue remaining on the paint surface can be removed by soaking a clean lint-free towel in isopropyl alcohol/water and applying to surface to clean.
- Using the supplied alcohol wipe, wipe the area of the surface where the emblem will be installed. Wipe surface dry with a clean lint-free towel.
- Take one of the painted emblems and peel the protective liner from the adhesive backing. Be careful not to touch the tape with hands and do not allow tape to come in contact with dirt or any foreign matter prior to adhesion.
- IMPORTANT:** The adhesive will bond quickly to the paint. In the event that the emblem should be mis-aligned after installation, do not attempt to remove the emblem as this will cause paint damage. To avoid mis-alignment, do not drop the emblem into place. Instead, first align the bottom edge of the emblem lettering to the masking tape. Then, toggle the emblem into place.

7. Using the palm of the hand or an applicable roller with approximately 10 lbs of pressure, wet out the emblem/name plate to the mating surface to ensure full adhesion of the nameplate is made.
8. Repeat the same procedure for the remaining emblems.
9. **TAHOE PACKAGE:**

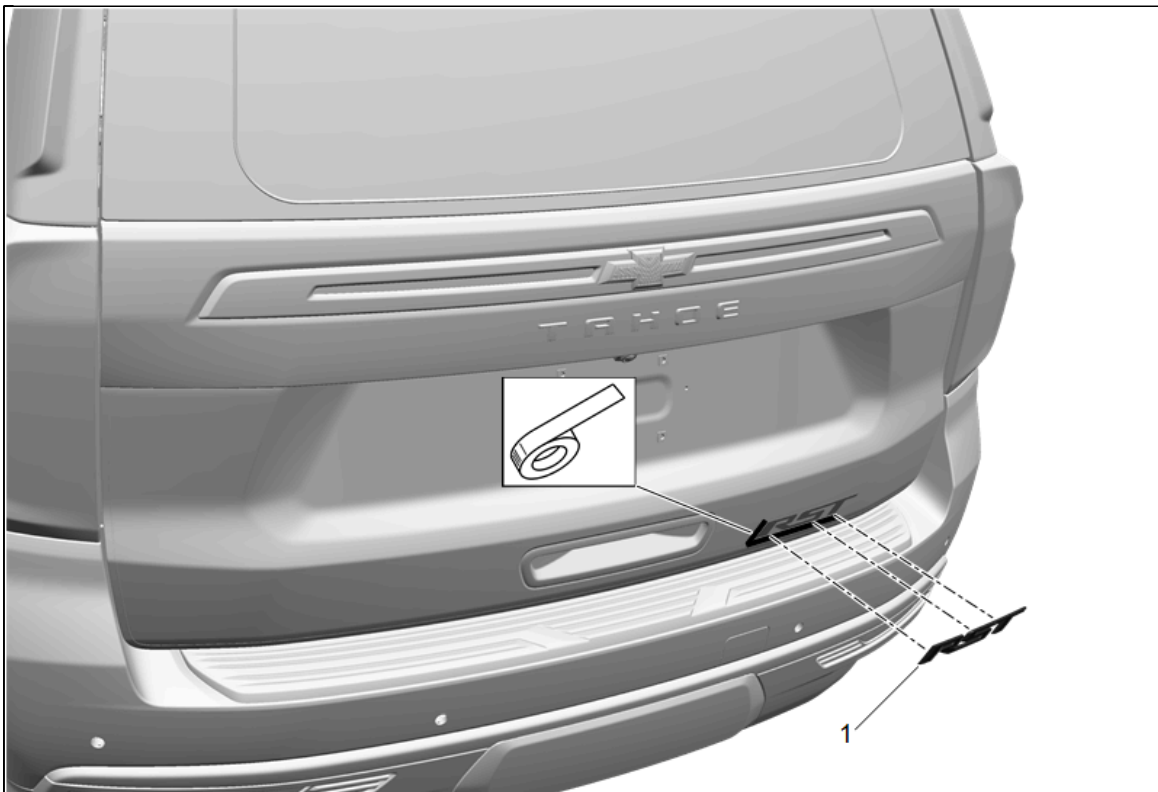


9.1. Door emblem TAHOE (1).



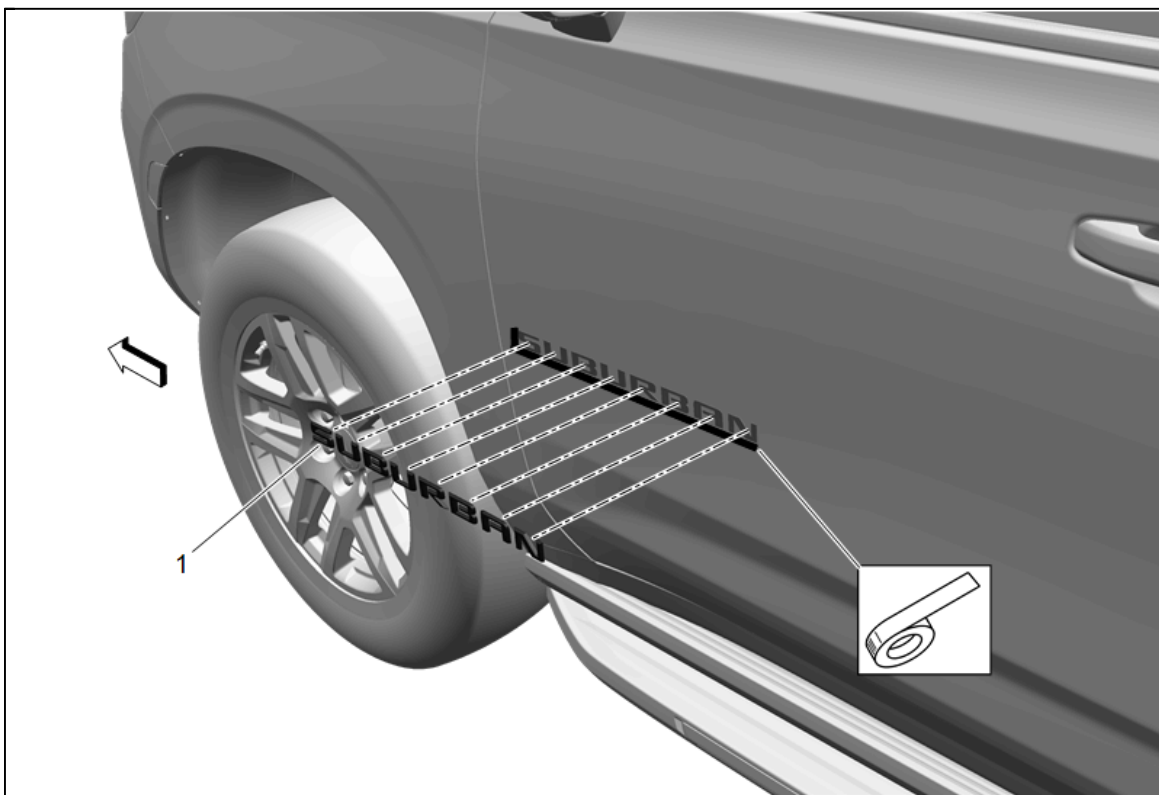
9.2. Liftgate emblem TAHOE (1).

9.3. Liftgate emblem LT (2).

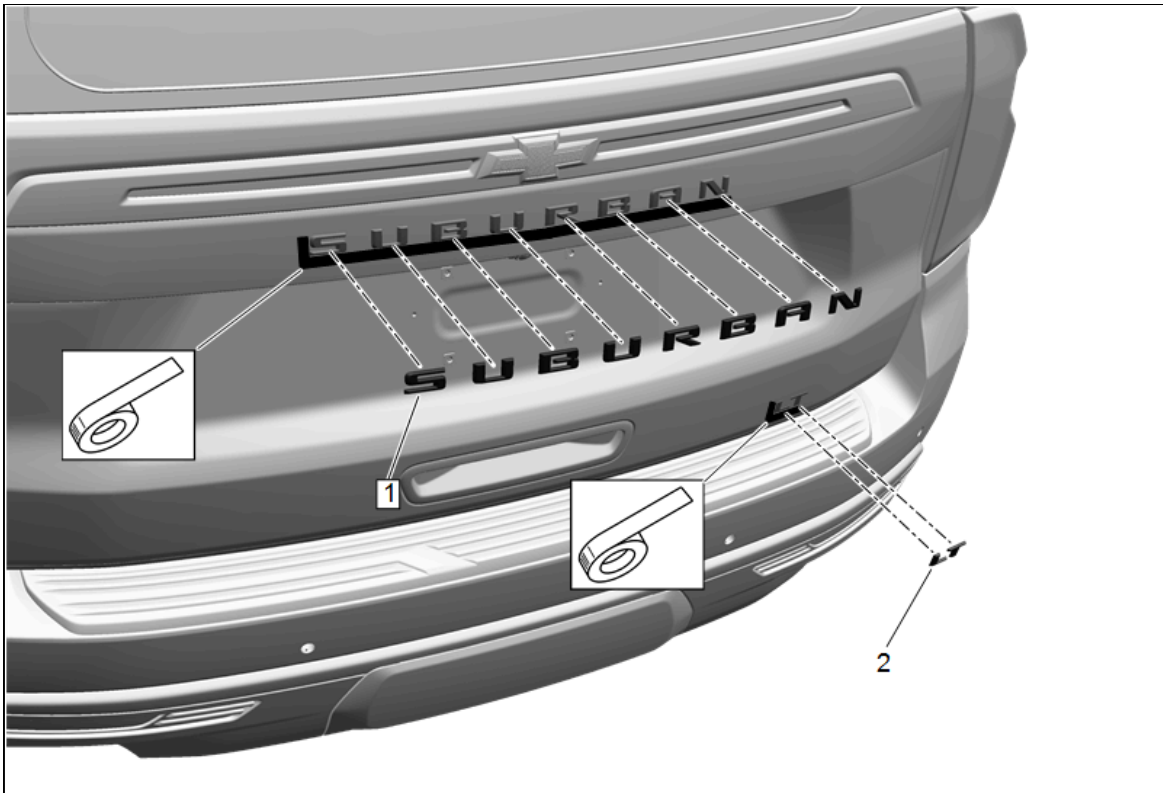


9.4. Liftgate emblem RST (1).

10. **SUBURBAN PACKAGE:**

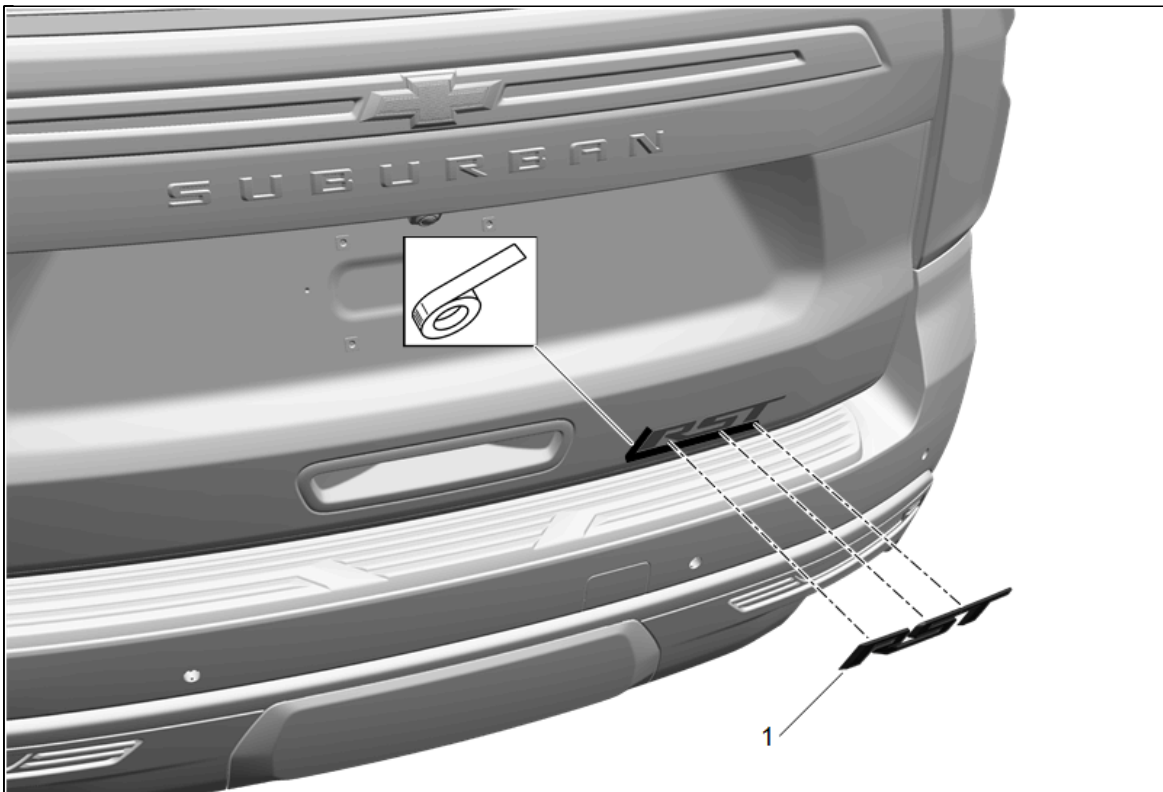


10.1. Door emblem SUBURBAN (1).



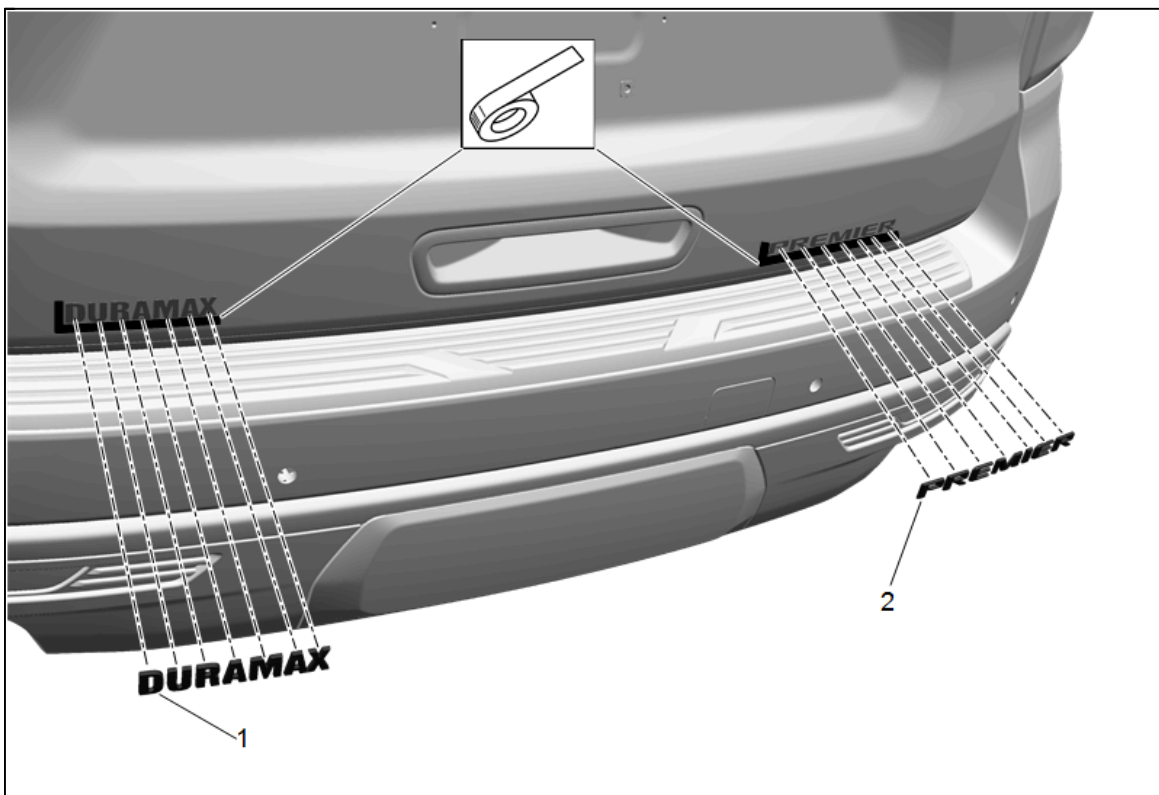
10.2. Liftgate emblem SUBURBAN (1).

10.3. Liftgate emblem LT (2).



10.4. Liftgate emblem RST (1).

11. **PREMIER / DURAMAX / HIGH COUNTRY PACKAGE:**



11.1. Liftgate emblem DURAMAX (1).

11.2. Liftgate emblem PREMIER (2).



11.3. Fender Emblem Badge HIGH COUNTRY (1).