

Document ID: 5421955

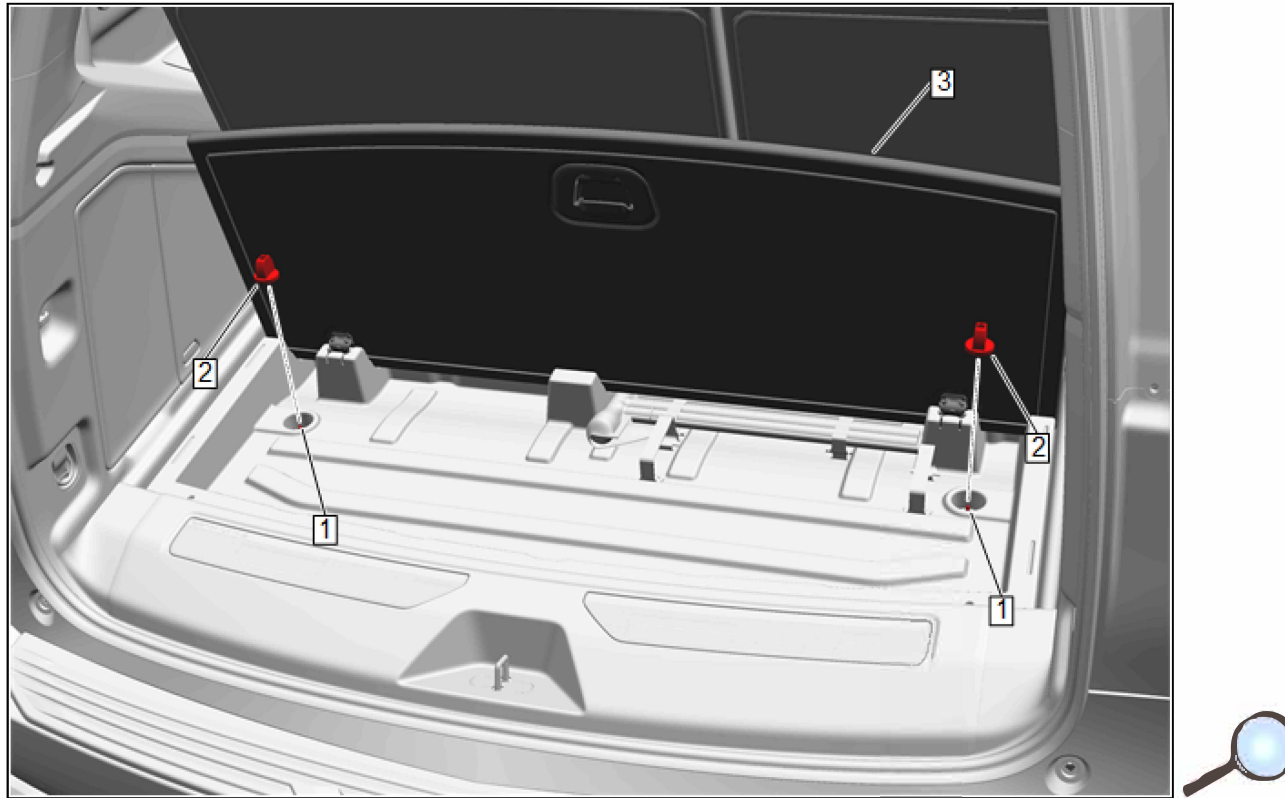
Liftgate Sill Garnish Molding Package Installation

Installation Instructions Part Number

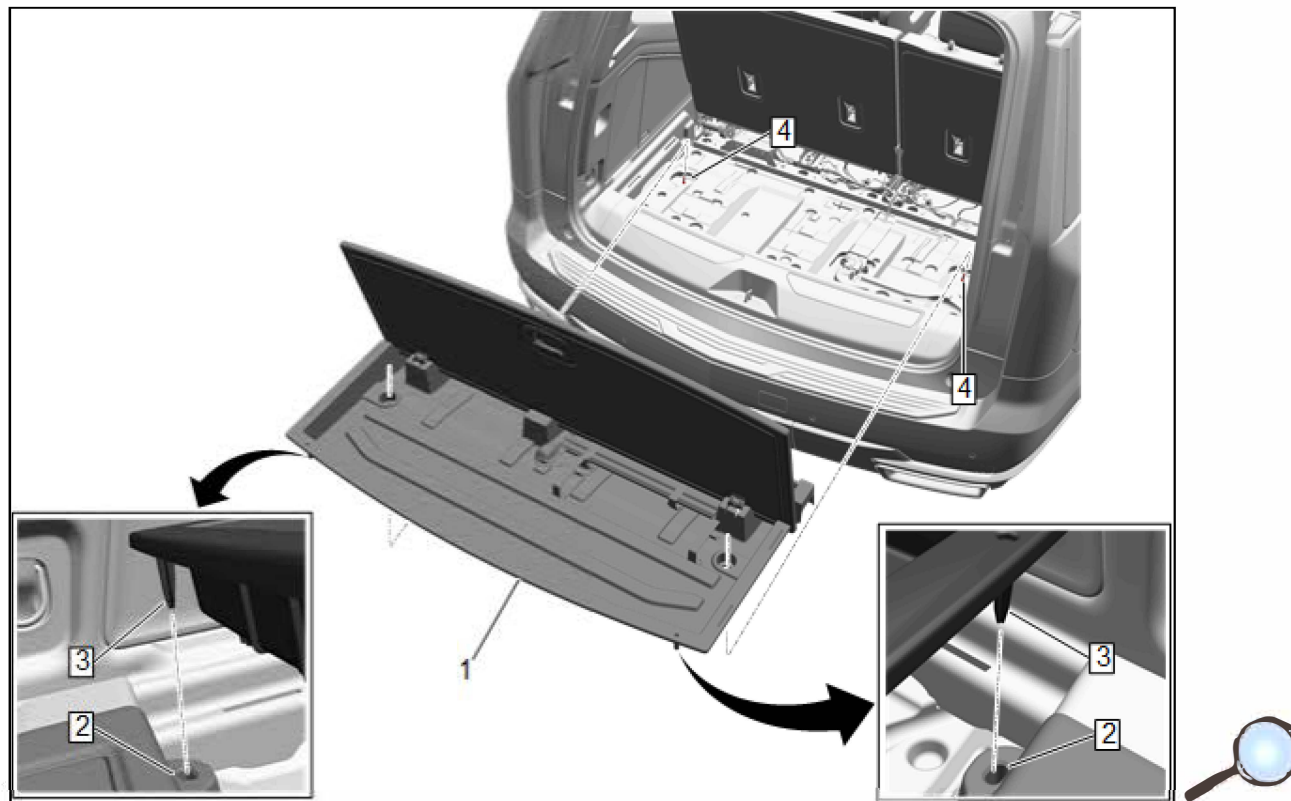
84429066

Procedure

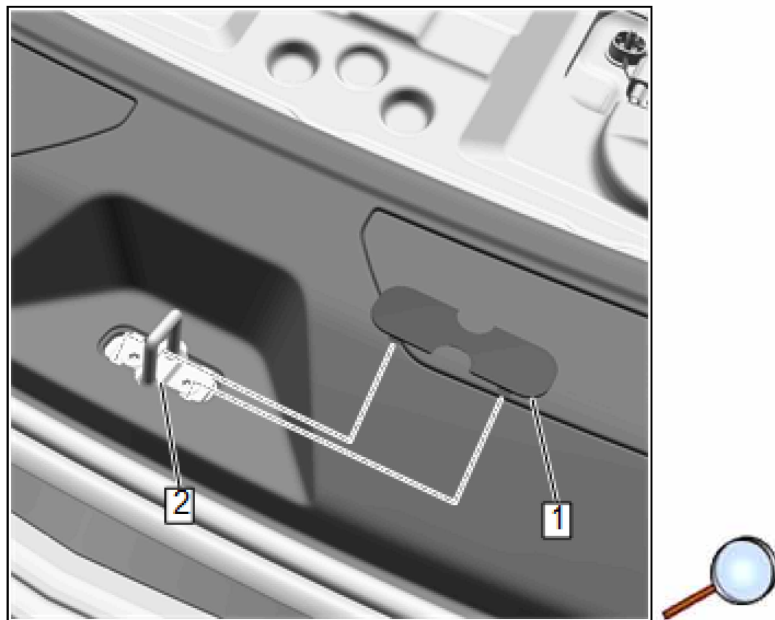
1. Open the rear lift gate.



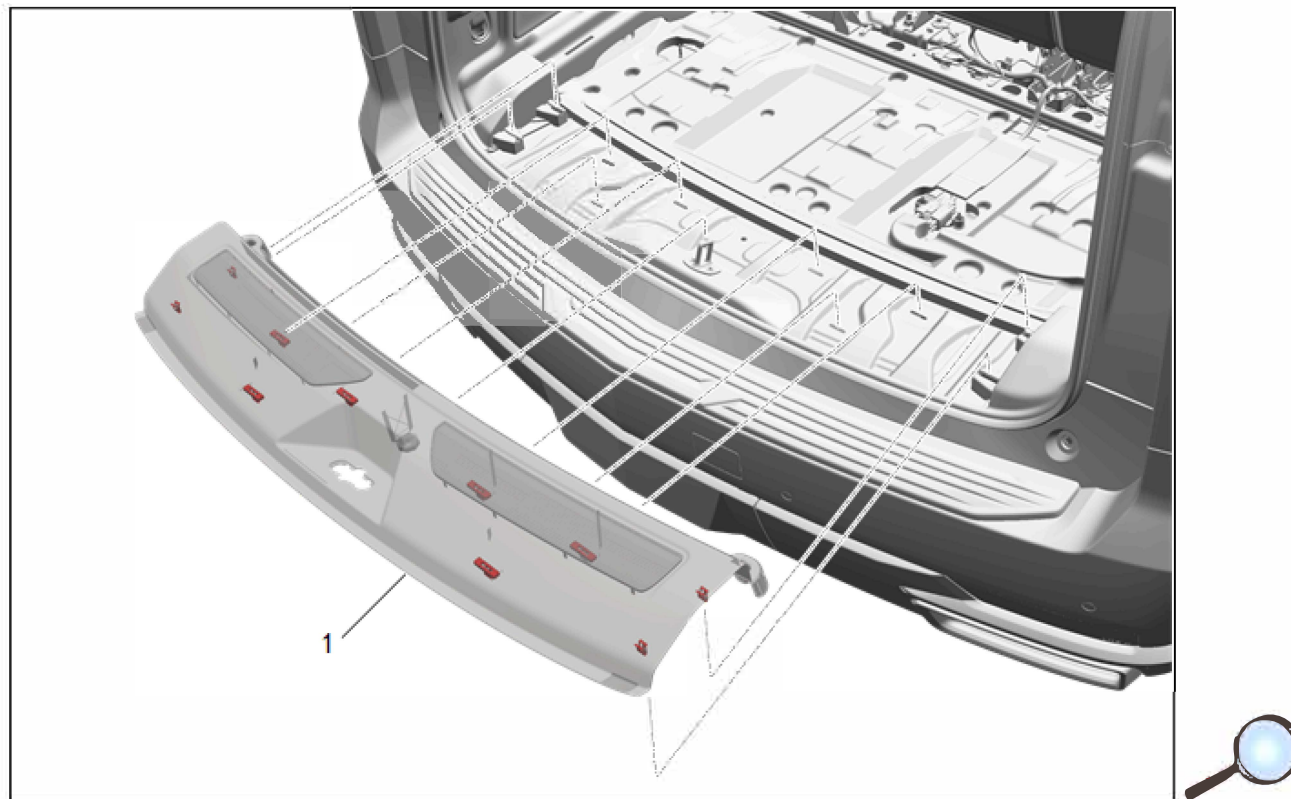
2. Lift up rear floor storage compartment cover (3).
3. Remove the retainers (2) (Qty 2) for short wheel base and (Qty 4) for long wheel base from the rear compartment floor stud (1).



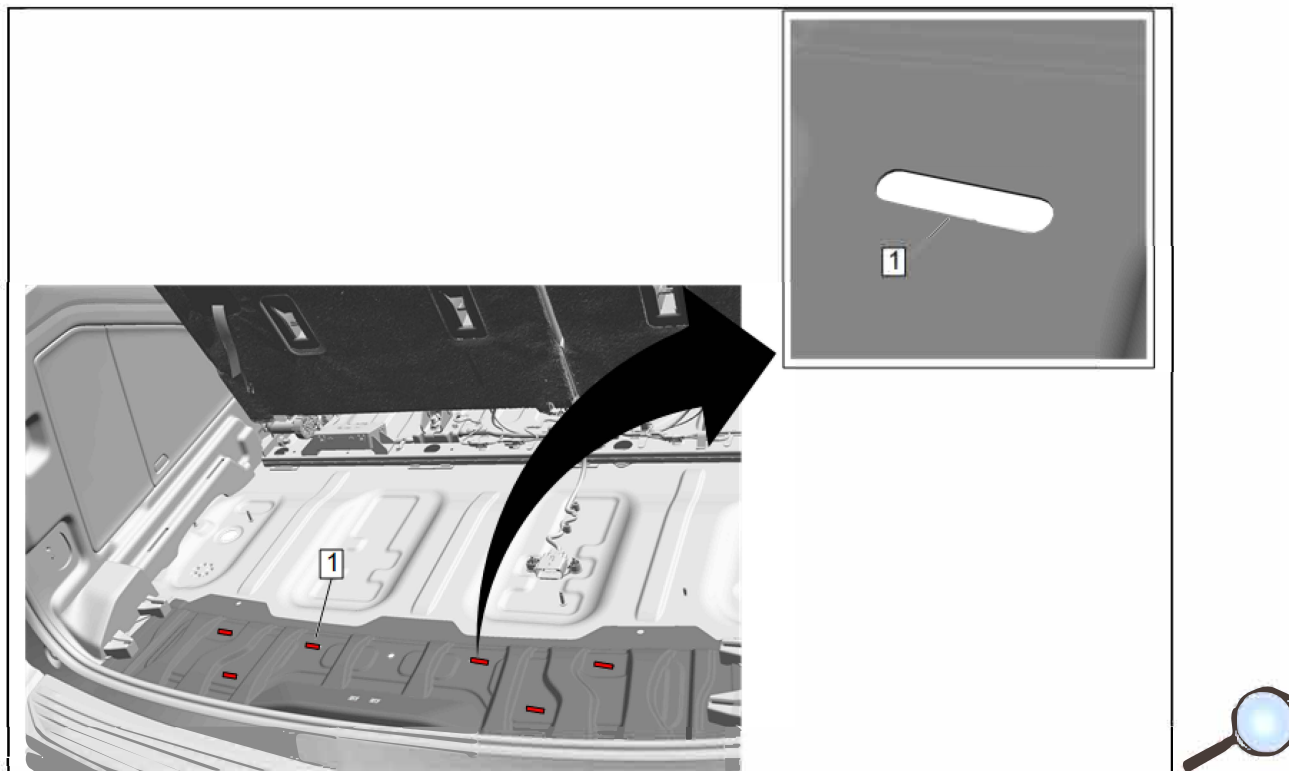
4. Disengage the rear seat lower/floor trim from the velcro on rear floor stowage compartment.
5. Lift up and remove rear floor stowage compartment (1) from rear compartment floor studs (4) while disengaging the locator posts (3) from the sill locator openings (2).



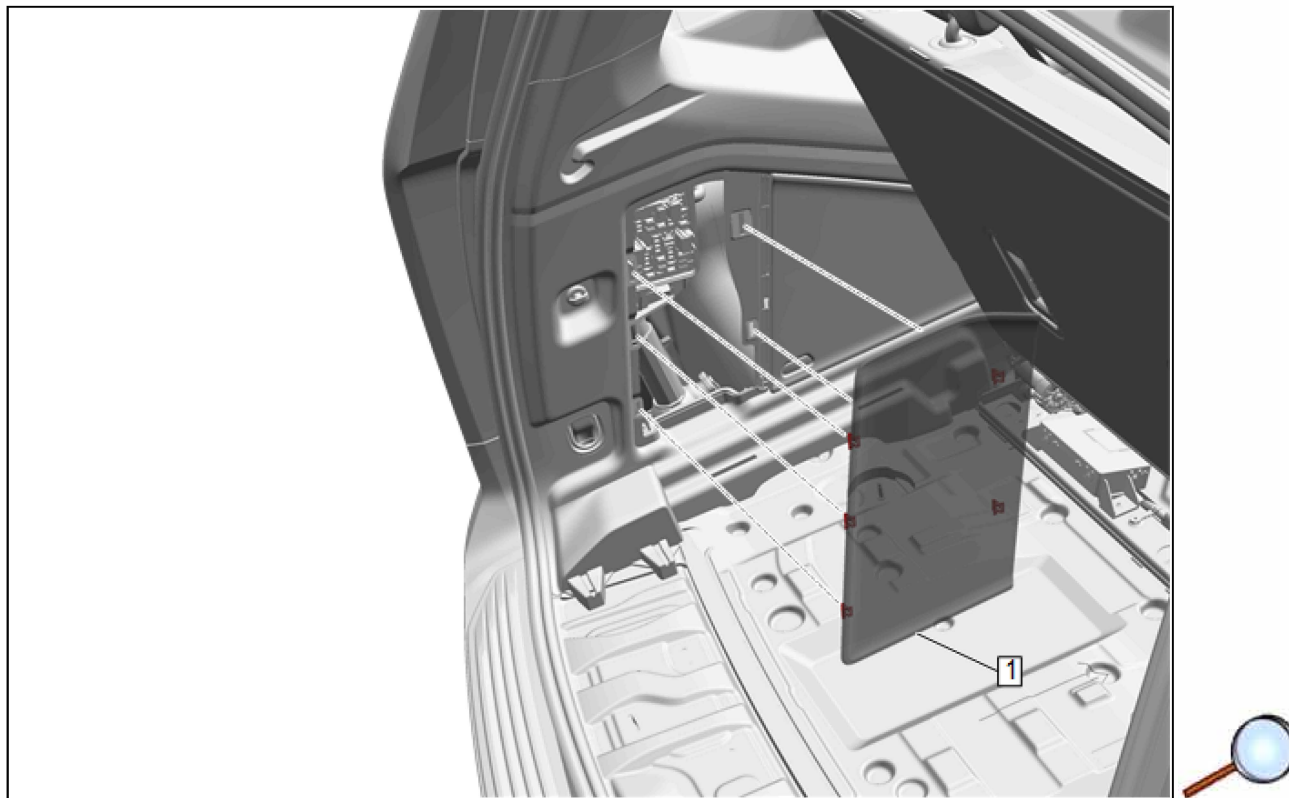
6. Remove rear striker cover (1) from rear striker (2) and discard.



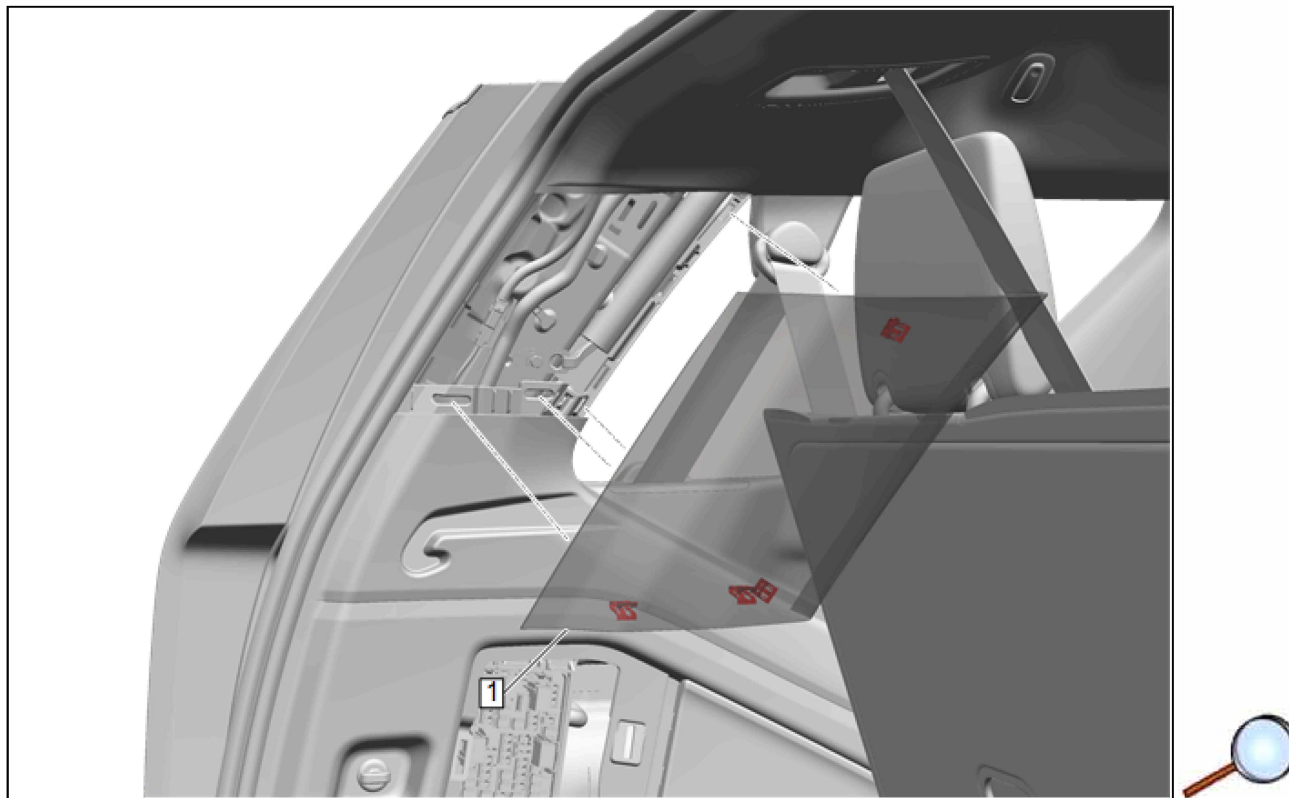
7. Using a flat-bladed trim tool, release the clips and remove the rear sill trim (1).



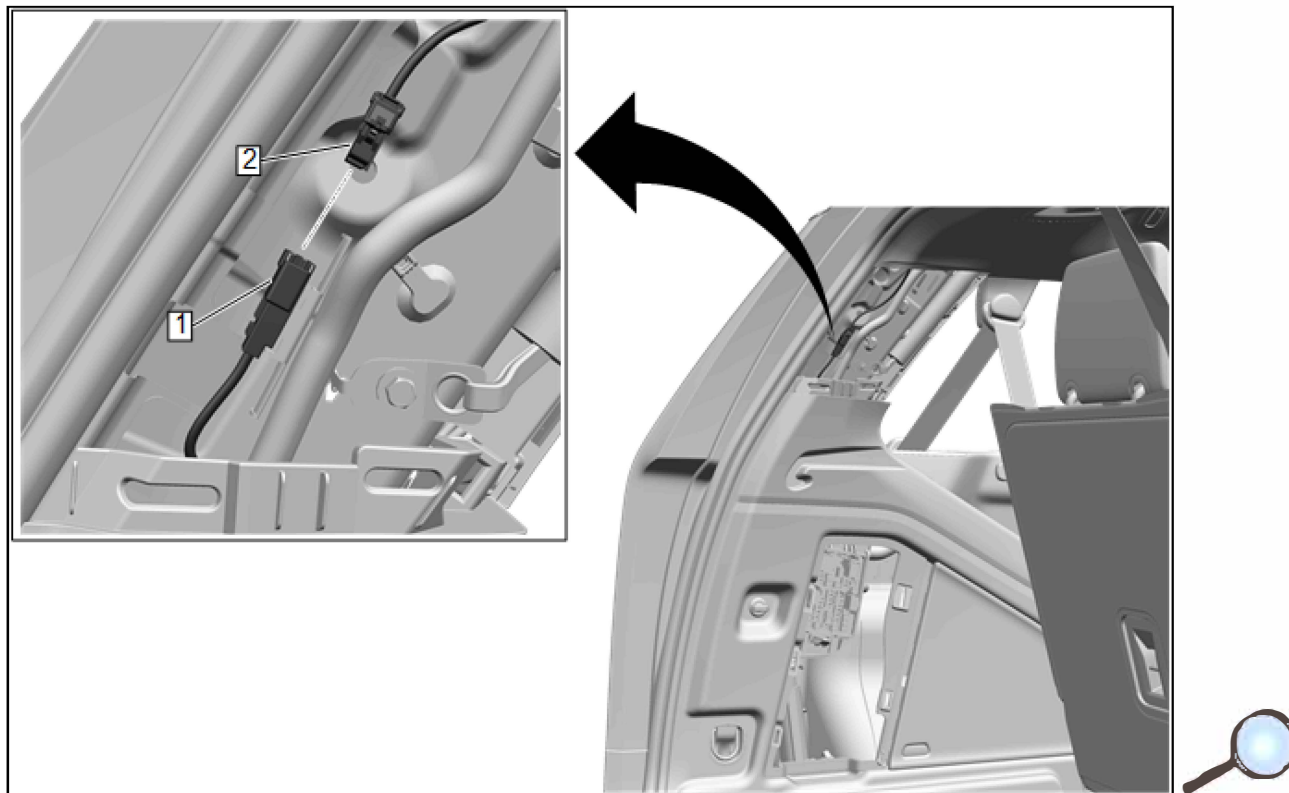
8. Tap down and flatten any sheet metal around the clip attachment holes (1) that may have been deformed during removal of the production rear sill trim.



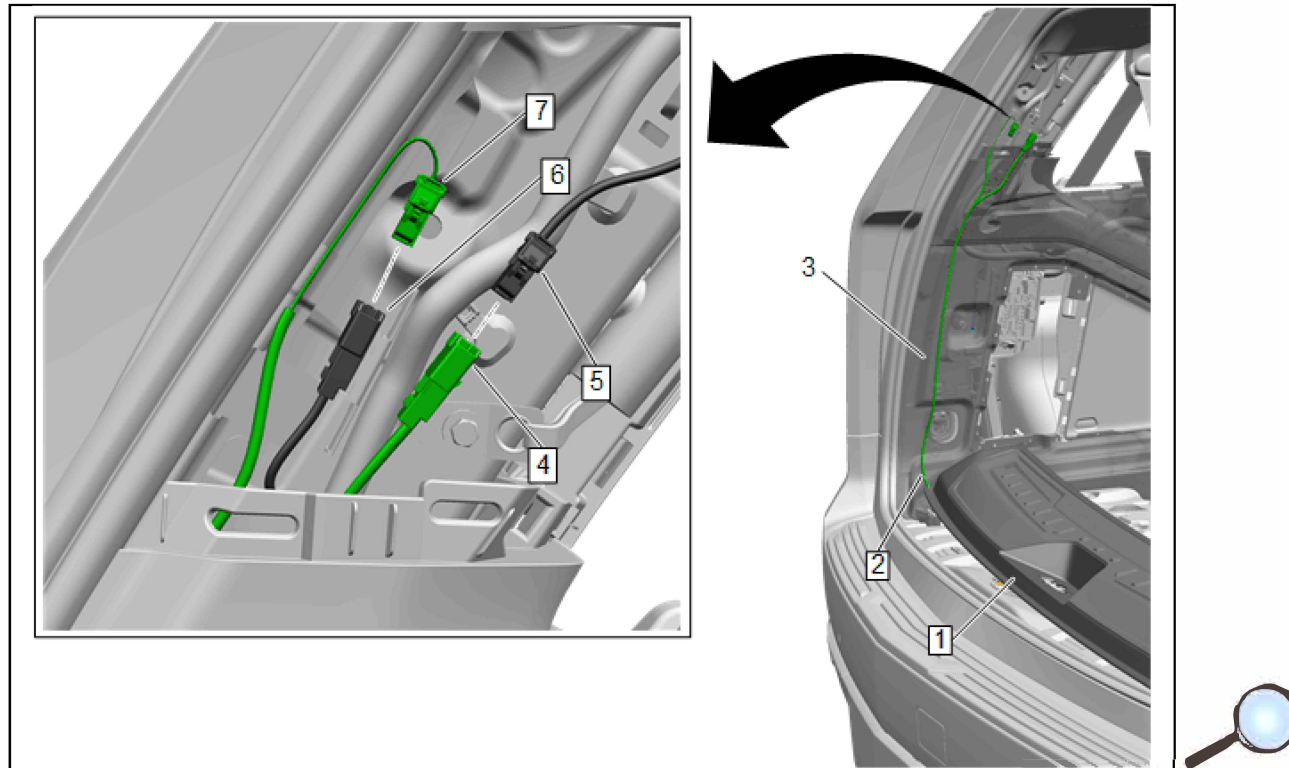
9. Using a flat-bladed trim tool, release the clips and remove the fuse panel access trim (1).



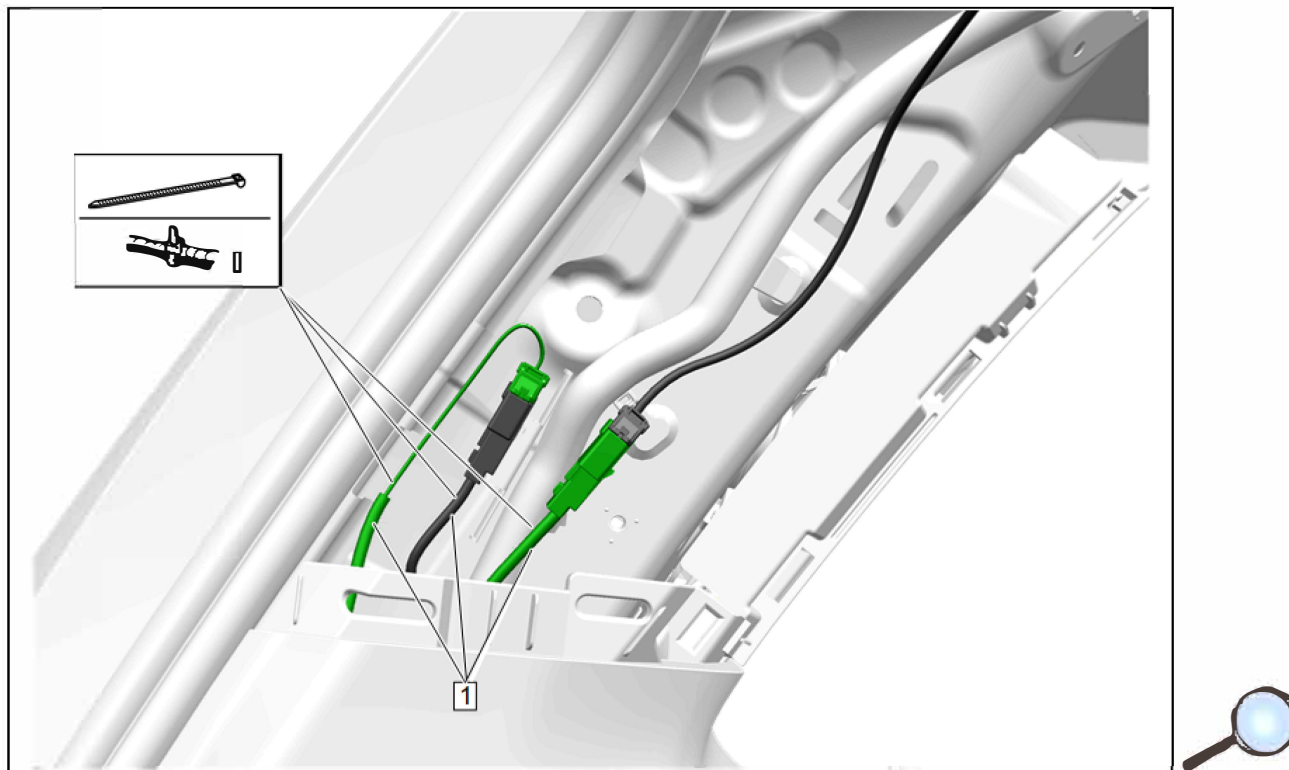
10. Using a flat-bladed trim tool, release the clips and remove the left rear upper quarter trim (1).



11. Locate the illuminated cargo lamp harness behind the rear upper quarter trim. Disconnect the cargo lamp harness connector (2) from the body harness connector (1).

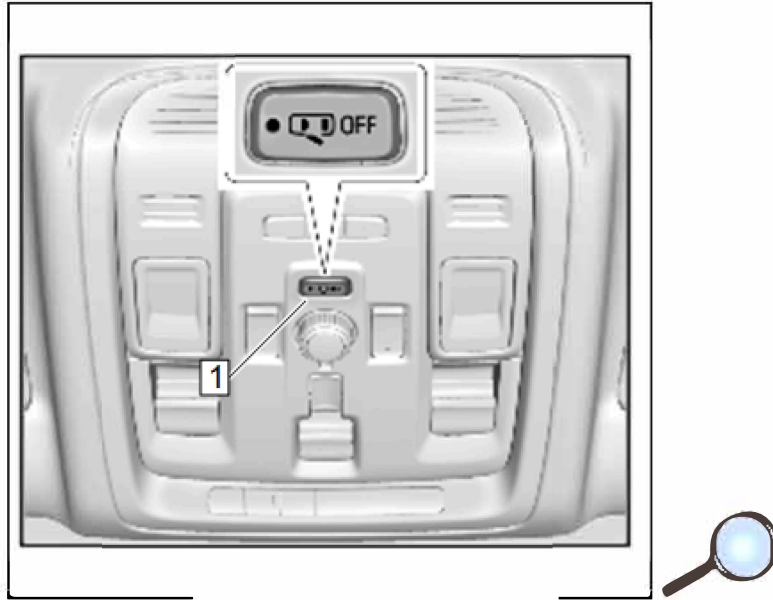


12. Position the new rear sill plate (1) to the rear compartment area, do not install sill at this time.
13. Loosen lower quarter trim (3) to allow easier routing of rear sill plate harness.
14. Starting at the top of the lower quarter trim, route the rear sill plate harness (2) behind the lower quarter trim (3) and out the bottom of the lower quarter trim.
15. Connect the female connector (4) of sill plate harness to the cargo lamp connector (5).
16. Connect the male connector (7) of sill plate harness to the body harness connector (6).

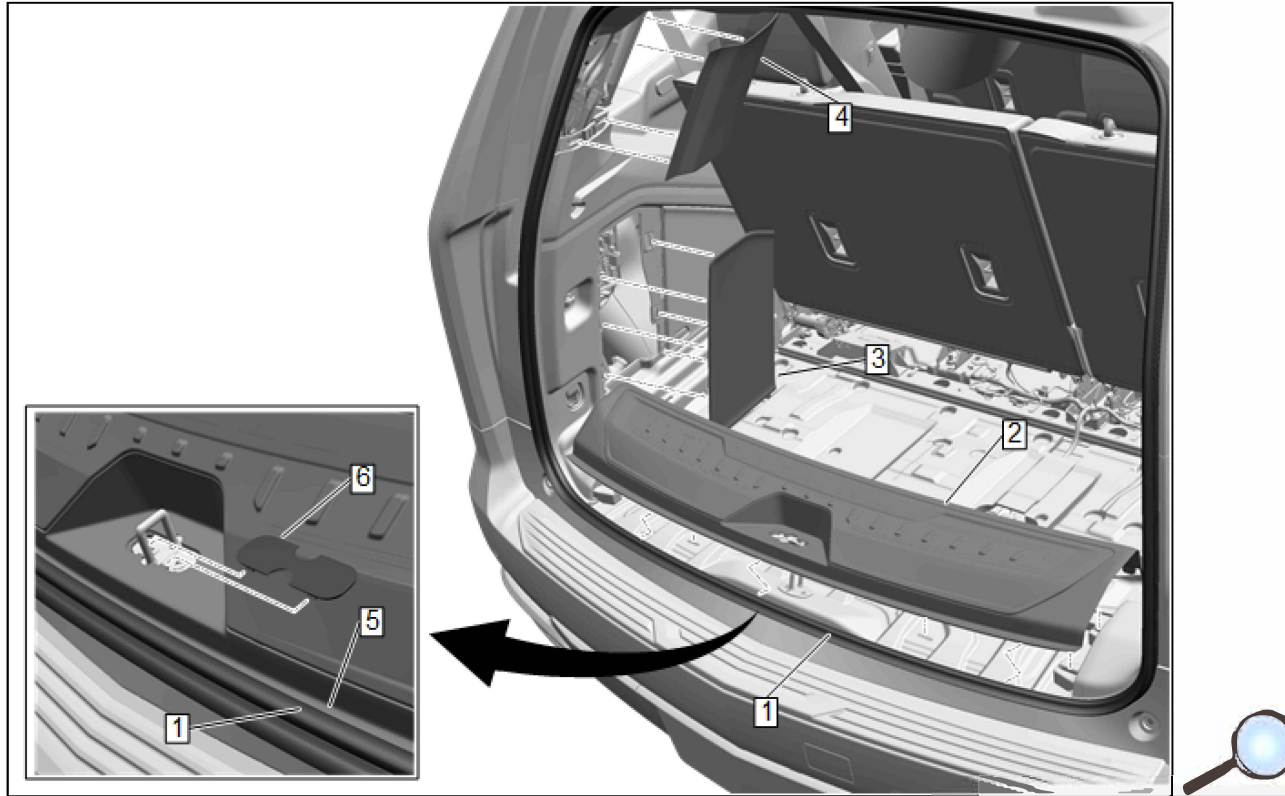


17. After connections are made, secure wires (1) with zip tie.

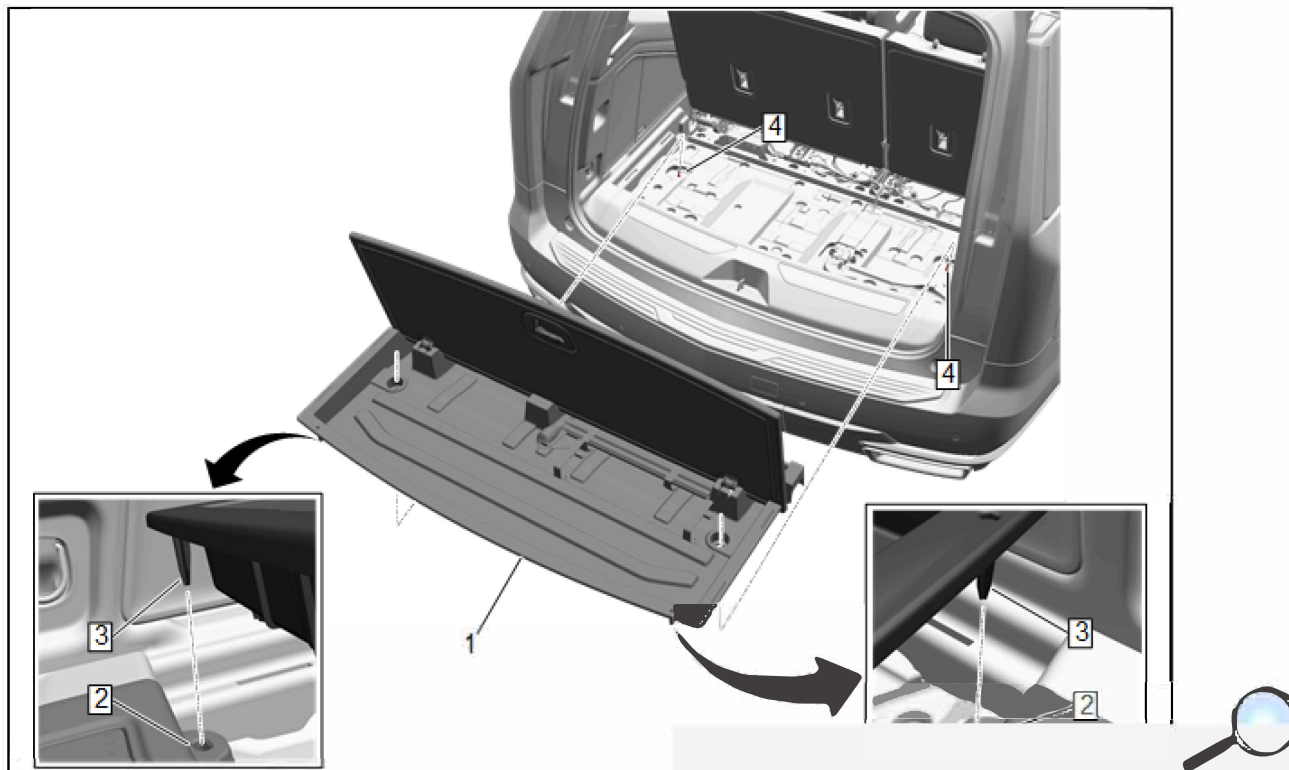
18. Lay excess harness in rear stowage compartment area.



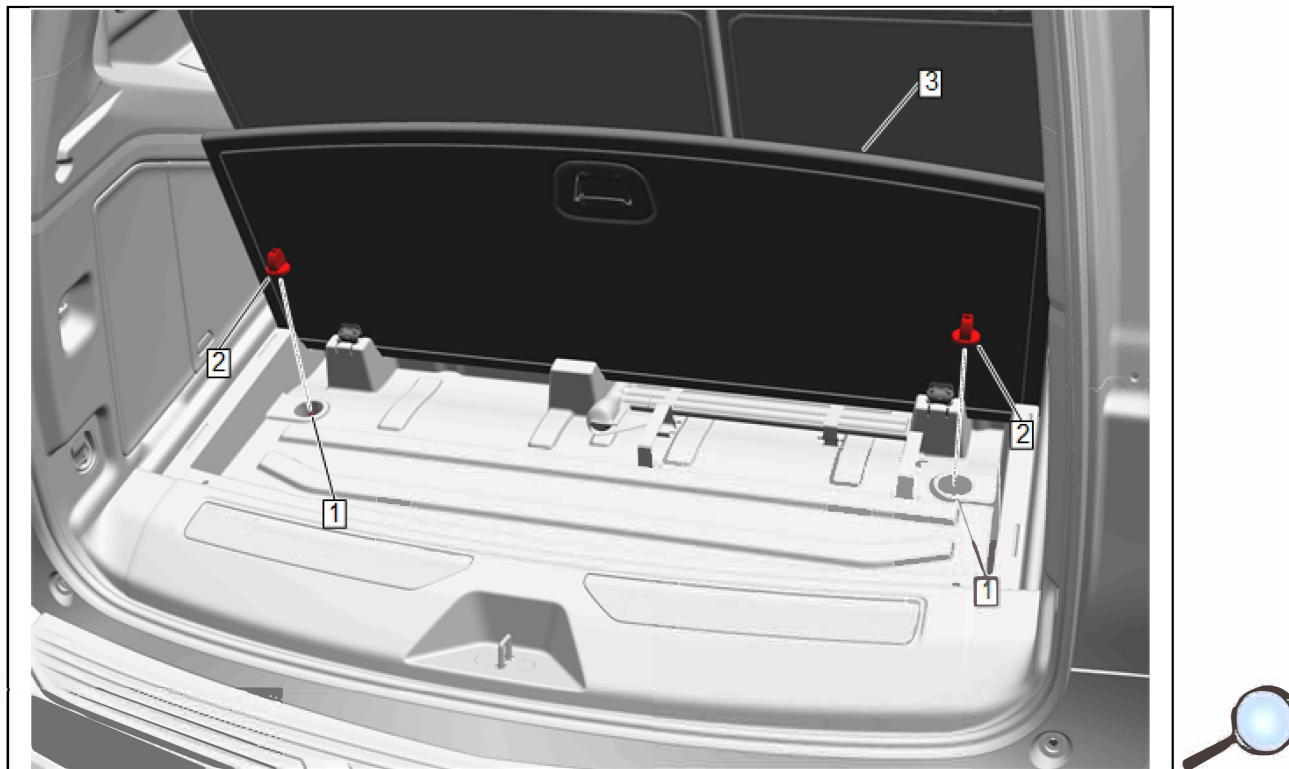
19. Check and confirm functionality of rear sill plate by opening and closing any of the doors or liftgate. If rear sill plate does not illuminate, check that the dome lamps Off button (1) in the overhead console is not turned on. If indicator light on the button is on then the dome lamps and cargo sill will not illuminate.



20. Reinstall the left rear lower quarter trim panel, upper quarter trim panel (4) and fuse access panel trim (3) engaging the retainers.
21. Position rear sill plate (2) to the rear sill of vehicle (use locator post under center of sill as a guide to vehicle attachment points) and engage the clips to the rear sill. Ensure that the door seal gasket (1) is rolled over rear lip of sill (5) to ensure best fit to vehicle.
22. Install supplied rear striker cover (6) to rear striker.
23. Re-position liftgate seal lip to proper position over trim and rear sill.



24. Reinstall the rear floor storage compartment (1) to the studs (4) in the rear compartment.
25. Ensure that the rear floor storage compartment locator posts (3) are through the sill locator openings (2).
26. Engage the rear seat lower/floor trim to the velcro.



27. Install the retainers (2) (Qty 2) for short wheel base and (Qty 4) for long wheel base to the rear compartment floor stud (1).
28. Close rear floor stowage compartment cover (3).
29. Close the rear lift gate.