

# Frame Reinforcement Package Installation (ZR2 Cross Car Beam Instruction ID: 84423277)

## Installation Instructions Part Number

84423277

### Parts Included with Accessory Kit

Description	Quantity
Beam Assembly	1
Outer Bracket	2
M10 x 1.5 x 40 Bolt	8
M10x1.5 Nut	8
Performance Emblem	1
Instruction sheet	1

© 2024 General Motors. All rights reserved.

The parts listed in this catalog are intended for installation in competition vehicles for operation in Off Road racing applications only. By "competition vehicles," GM means vehicles (i) used exclusively for competitions organized and sanctioned by a local or private body and (ii) not designed for use on public streets or highways. Consumers are strongly advised not to install parts accompanied by this warning on vehicles that will be driven on public roads. They have not been designed or tested for crashworthiness or to meet the safety needs of the motoring public, and they may not meet the full durability requirements that Chevrolet validates for its street legal, production vehicle components.

US, federal and state, and Canadian law prohibit an automobile manufacturer or dealer from removing, modifying or rendering inoperative any part installed on a motor vehicle in compliance with an applicable Federal Motor Vehicle Safety Standard. Further, US, federal and state, and Canadian law prohibit any person from knowingly removing, modifying, or making inoperative, or causing someone to remove or render inoperative, or otherwise tampering with, any part or element of design installed in compliance with motor vehicle emission standards on a motor vehicle or non-road vehicle, or otherwise modifying any required emission and noise control system.

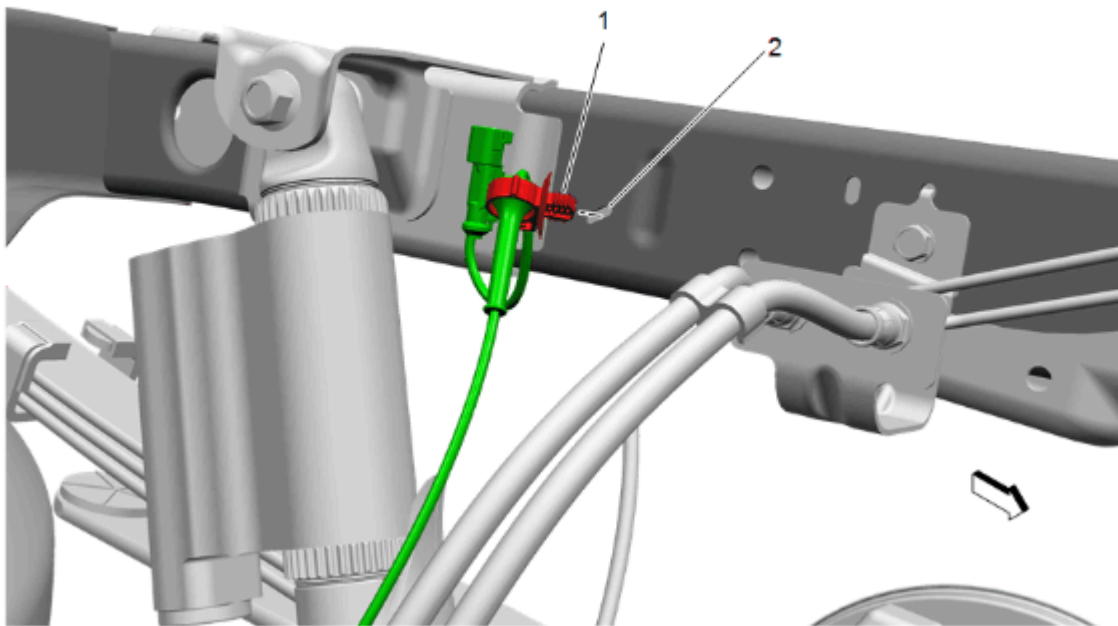
Unless specifically noted to the contrary herein, vehicles equipped with Chevrolet Off Road Racing Parts may not meet Federal Motor Vehicle Safety Standards and should not be operated on public roads. Installation or use of these parts on a vehicle operated on public streets or highways is also likely to violate U.S., Canadian, and state and provincial laws and regulations relating to motor vehicle emissions. US, federal and state, and Canadian provincial agencies have the authority to administer substantial monetary penalties against individuals and companies who do not comply with these laws. Chevrolet Performance customers are responsible for ensuring their use of Chevrolet Off Road Racing Parts complies with applicable federal, state/provincial and local laws, regulations and ordinances, and for ensuring that modified vehicles are operated in a manner that complies with applicable laws.

The use of these components in a GM vehicle may adversely affect the original intended performance or handling characteristics of the vehicle. These parts are designed and intended to be used with experts supervising their installation and use, to help assure the proper and safe operation of the vehicle. Use of

certain Chevrolet Off Road Racing Parts may result in the failure of other components or systems, which would not be covered under the New Vehicle Limited Warranty. For Off Road Racing Parts in this catalogue designated with an asterisk (\*), installation of such parts may void part or all of the New Vehicle Limited Warranty; these components are warranted against defects in workmanship or materials for 12 months / unlimited miles for parts only. Otherwise, vehicles do retain their New Vehicle Limited Warranty coverage with Chevrolet Performance components installed by an authorized GM Dealer or qualified Independent Service Center.

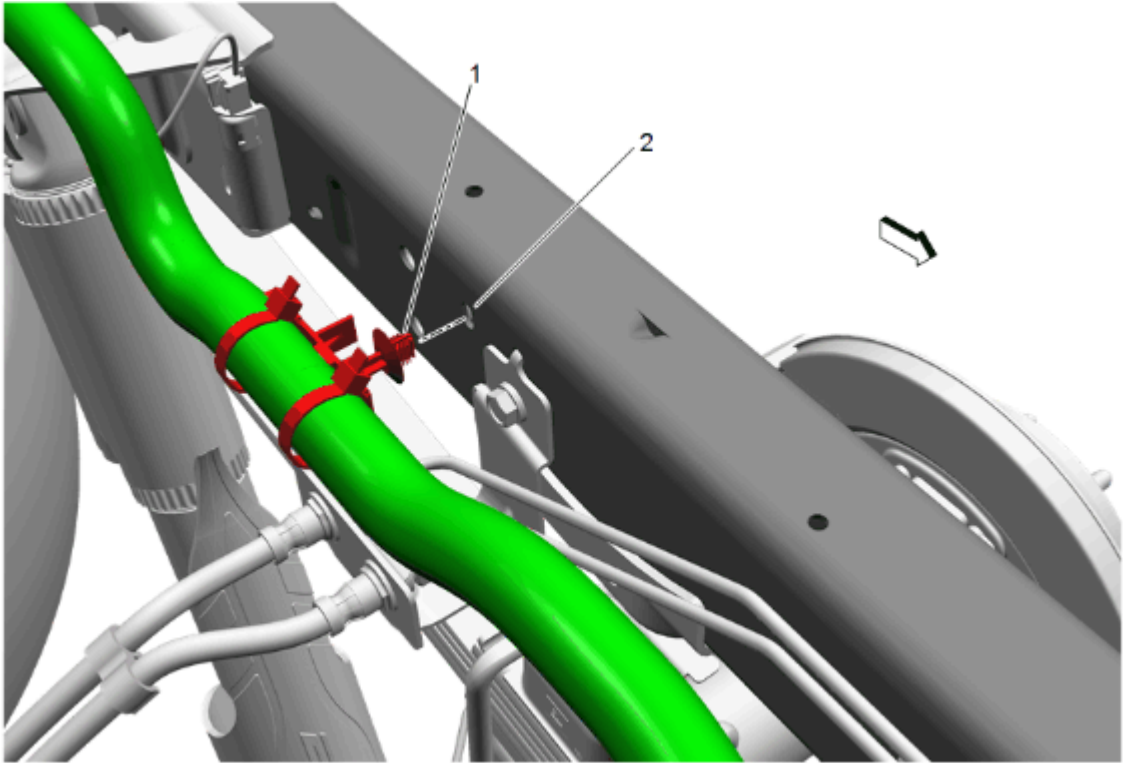
### **Installation Procedure**

1. Raise and support the vehicle. [Lifting and Jacking the Vehicle](#) in Vehicle Service Manual.
2. Remove the left and right rear wheel and tire assemblies. Refer to [Tire and Wheel Removal and Installation](#) in Vehicle Service Manual.
3. Remove the left and right rear wheelhouse liners. Refer to [Rear Wheelhouse Liner Replacement](#) in Vehicle Service Manual.

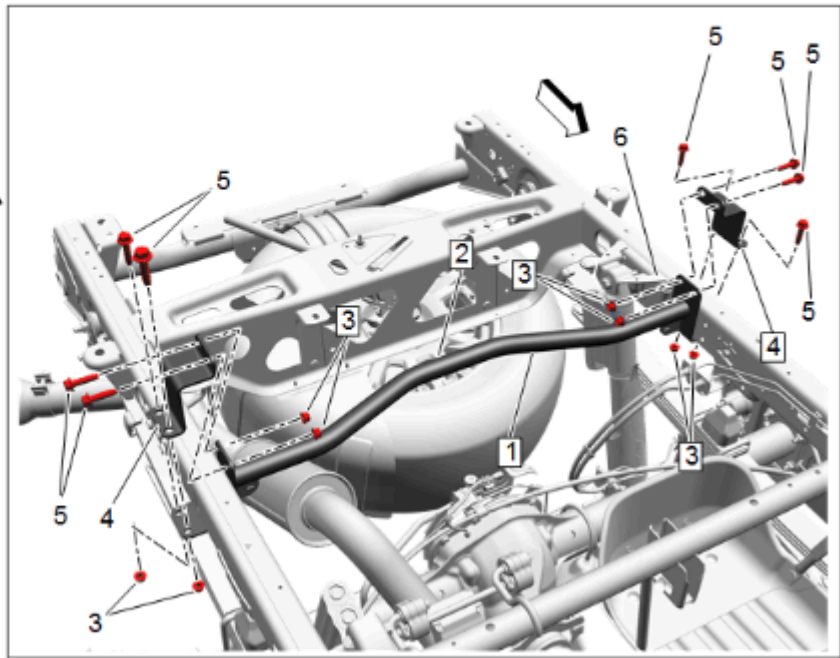
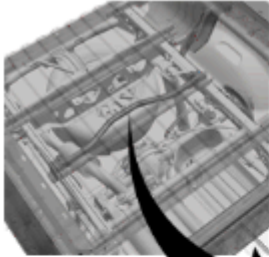


4. Remove the rear ABS sensor wiring clip (1) from both sides of the frame (2).

**Note:** Driver side shown, passenger side similar.



5. Remove the electrical harness clip (1) from the driver side frame rail (2).



**Note:** Pickup box removed to show clarity.

6. Position the cross car beam (1) between the frame rails, behind the bed support and in front of the driver's side shock bracket (6). Ensure the cross car beam points rearward (2) to avoid contact with rear axle.

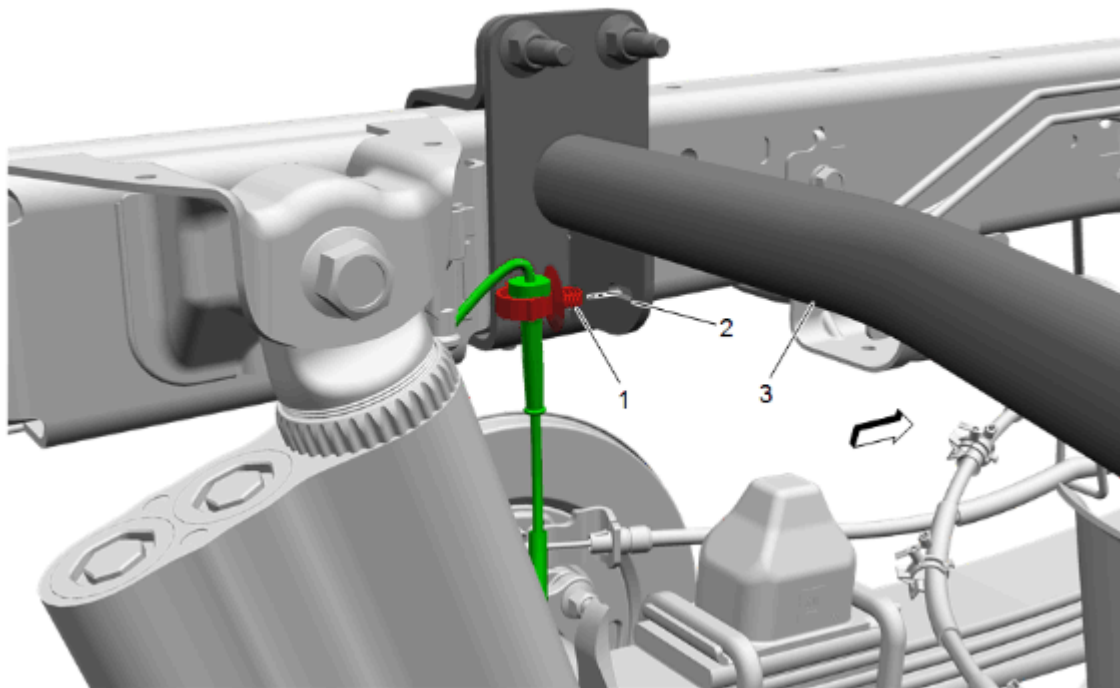
7. Install outer bracket (4) over cross car beam (1).

**Caution:** Use the correct fastener in the correct location. Replacement fasteners must be the correct part number for that application. Fasteners requiring replacement or fasteners requiring the use of thread locking compound or sealant are identified in the service procedure. Do not use paints, lubricants, or corrosion inhibitors on fasteners or fastener joint surfaces unless specified. These coatings affect fastener torque and joint clamping force and may damage the fastener. Use the correct tightening sequence and specifications when installing fasteners in order to avoid damage to parts and systems.

8. Install each bolt (5) through the holes in the outer bracket (4) and cross car beam (1). Hand start the nuts (3) onto each of the bolts (5).

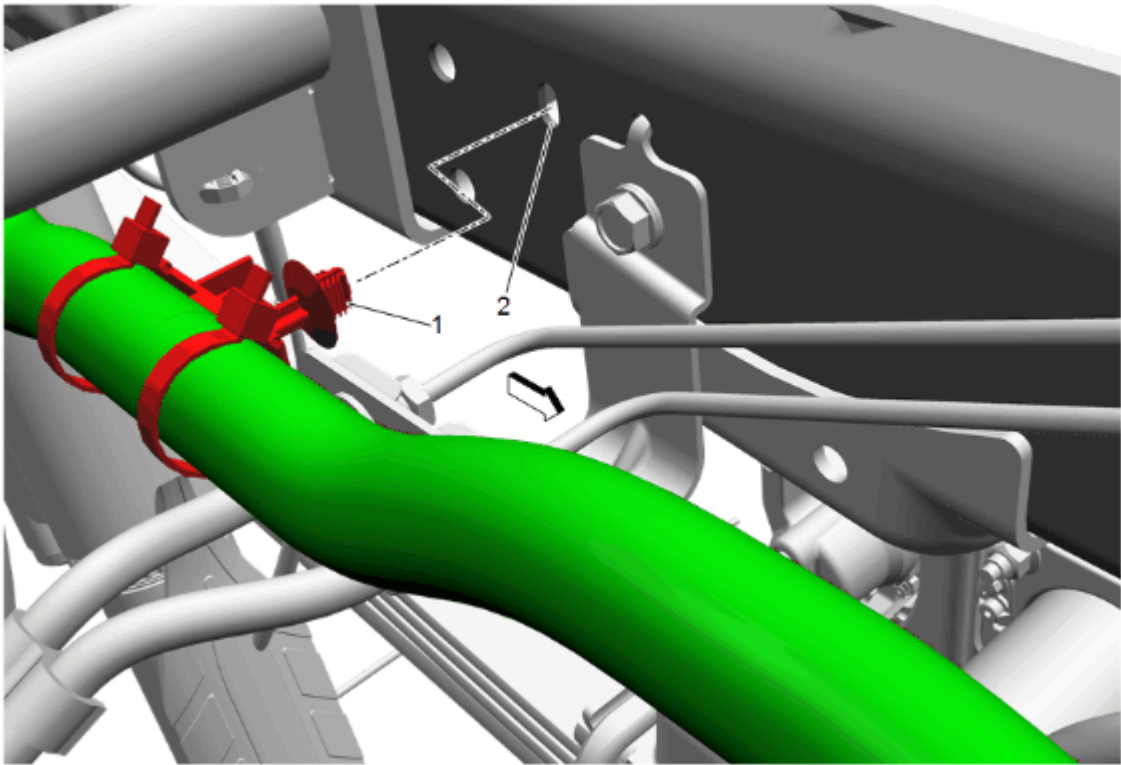
**Tighten**

the nuts to 58 N.m (44 lb ft).

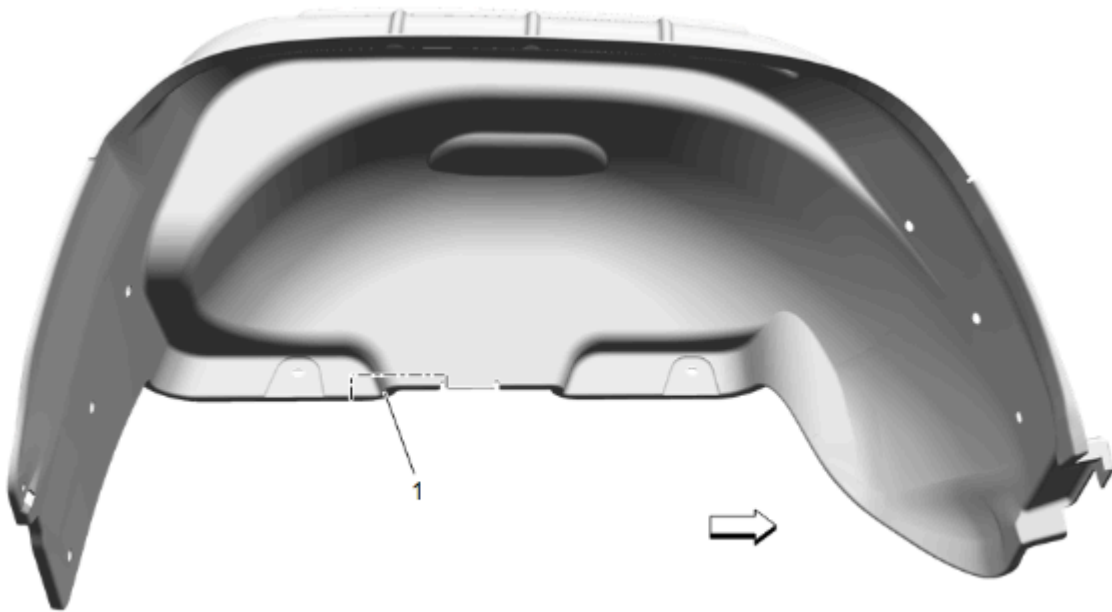


9. Install the ABS sensor wiring clip (1) into the slot (2) on both ends of the cross car beam (3).

**Note:** Driver side shown, passenger side similar.



10. Install the electrical harness clip (1) to the driver side frame rail (2).



11. Trim the flange off the passenger side rear wheelhouse liner in the area shown (1).
12. Repeat the trimming on driver side rear wheelhouse liner.

13. Install the left and right rear wheelhouse liners. Refer to [Rear Wheelhouse Liner Replacement](#) in Vehicle Service Manual.
14. Install the left and right rear wheel and tire assemblies. Refer to [Tire and Wheel Removal and Installation](#) in Vehicle Service Manual.
15. Lower the vehicle.