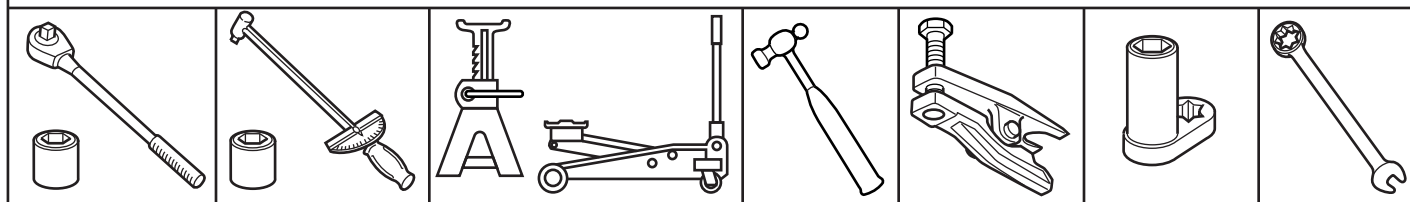
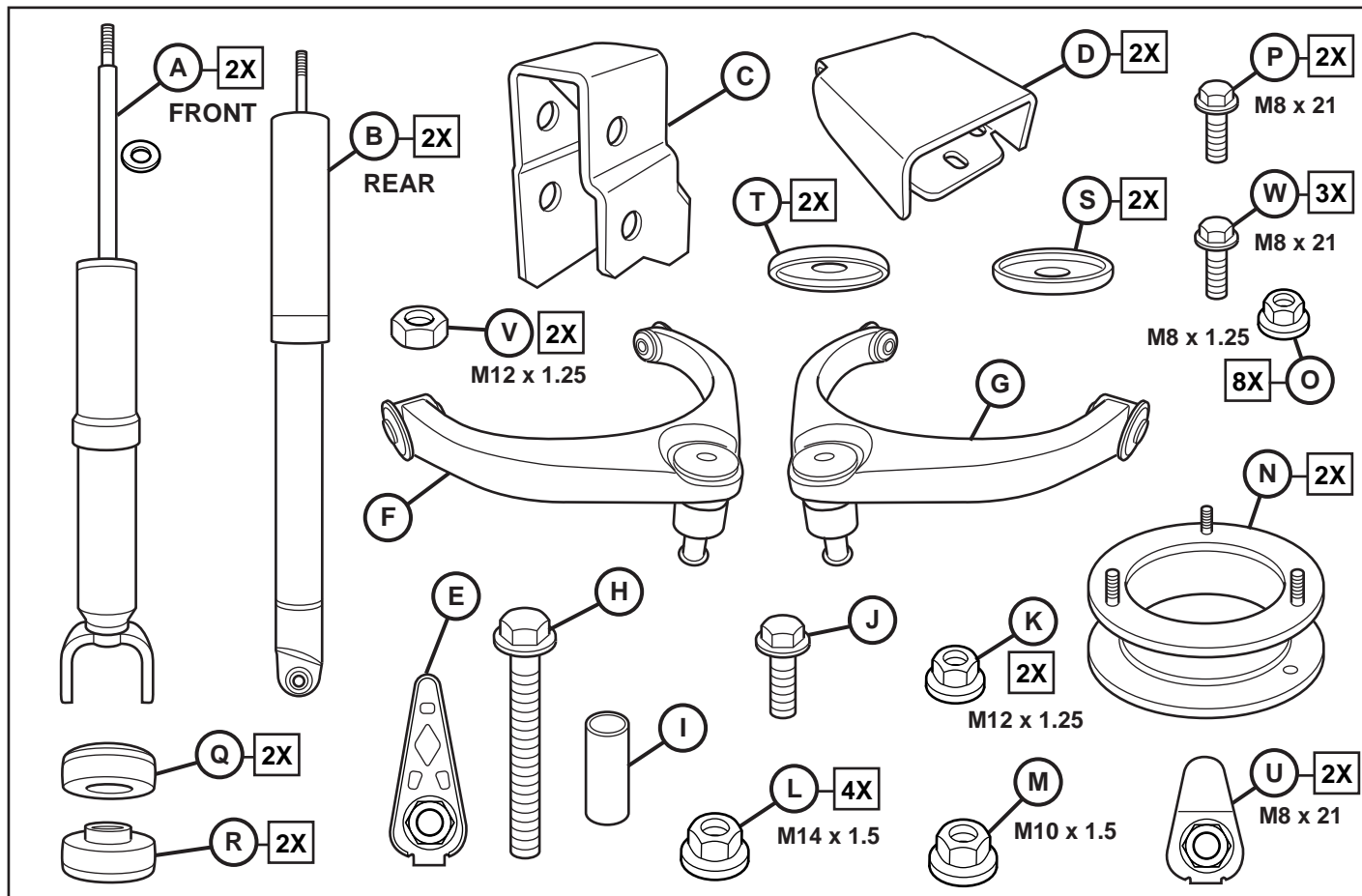




2" LIFT KIT RAM

www.mopar.com



IMPORTANT:

Prior to beginning, inspect the vehicles steering, driveline, and brake systems, paying close attention to the suspension link arms and bushings, stabilizer bars and bushings, tie rod ends, pitman arm, ball joints and wheel bearings.




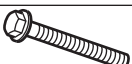










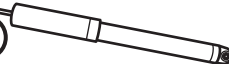






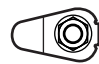
Also check the steering sector-to-frame and all suspension-to-frame attaching points for stress cracks.

The overall vehicle must be in excellent working condition. Repair or replace all worn parts.

Read instructions several times before starting.

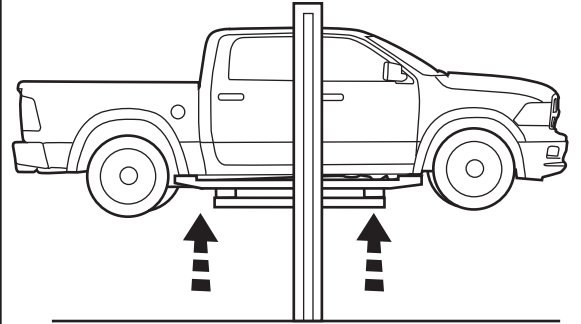
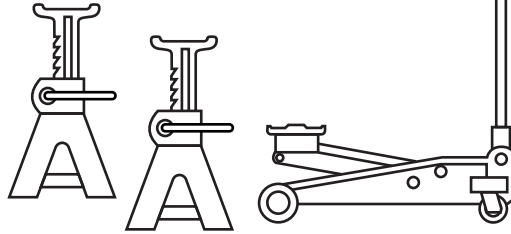
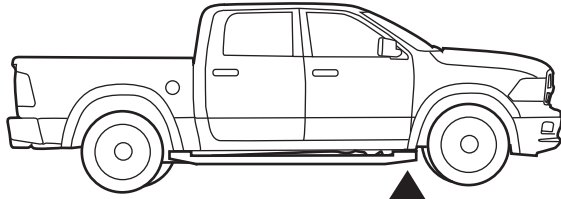
Be sure you have all needed parts and know where they install. Read each step completely as you go.

RETAIN ALL FASTENERS FOR LATER REINSTALLATION.

PART DESCRIPTION		PART NUMBER	QTY
(P)	 REAR BUMPER PAD BOLT M8 x 1.25 x 21	05143356AC	2
(O)	 SPRING SPACER / BUMPER PAD NUT M8 x 1.25	06101695	8
(M)	 REAR TRACK BAR NUT M10 x 1.5	06101696	1
(H)	 REAR TRACK BAR SPACER BOLT M14 x 1.5 x 90	06104265AA	1
(V)	 REAR SHOCK UPPER NUT M12 x 1.25	06503029	2
(K)	 FRONT SHOCK NUT M12 x 1.25	06506276AA	2
(L)	 FRONT UCA BALL JOINT / TIE ROD NUT M14 x 1.5	06506557AA	4
(W)	 REAR TRACK BAR / BUMPER PAD BOLT M10 x 1.5 x 25	06508224AA	3
(E)	 REAR TRACK BAR SPACER FLAG NUT M14 x 1.5	06511267AA	1
(T)	 REAR SHOCK UPPER WASHER	52038257	2
(S)	 REAR SHOCK LOWER WASHER	52038258	2
(Q)	 REAR SHOCK UPPER BUSHING	68157180AA	2
(R)	 REAR SHOCK LOWER BUSHING	68157184AA	2
(A)	 FRONT SHOCK	68323528AA	2
(B)	 REAR SHOCK	68323529AA	2
(F)	 FRONT UPPER CONTROL ARM RH	68323530AA	1
(G)	 FRONT UPPER CONTROL ARM LH	68323531AA	1
(N)	 REAR SPRING SPACER	68323532AA	2
(C)	 REAR TRACK BAR BRACKET	68393941AA	1
(D)	 REAR BUMPER PAD SPACER	68393948AA	2
(I)	 REAR TRACK BAR SPACER	68426828AA	1
(U)	 REAR TRACK BUMPER PAD FLAG NUT M10 x 1.5	06507078AA	2

FRONT DISASSEMBLY

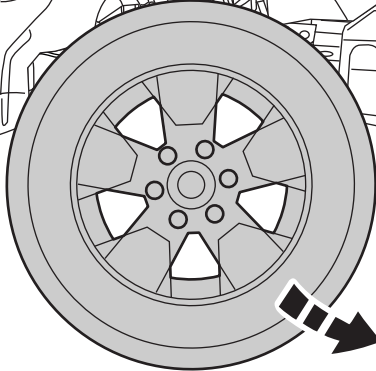
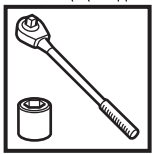
P
R
N
D



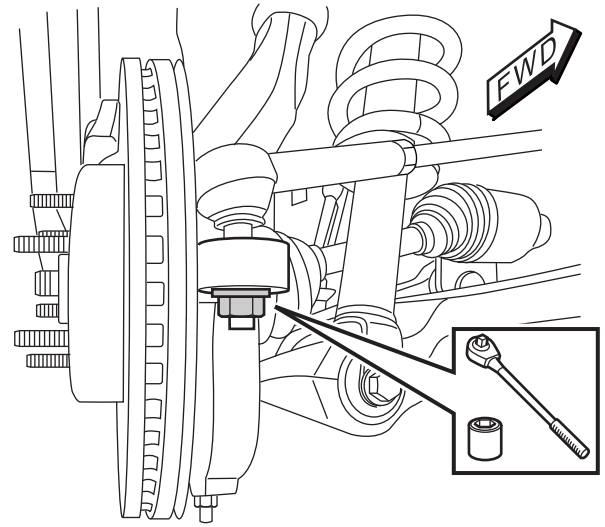
2

REMOVE FRONT TIRE

FWD



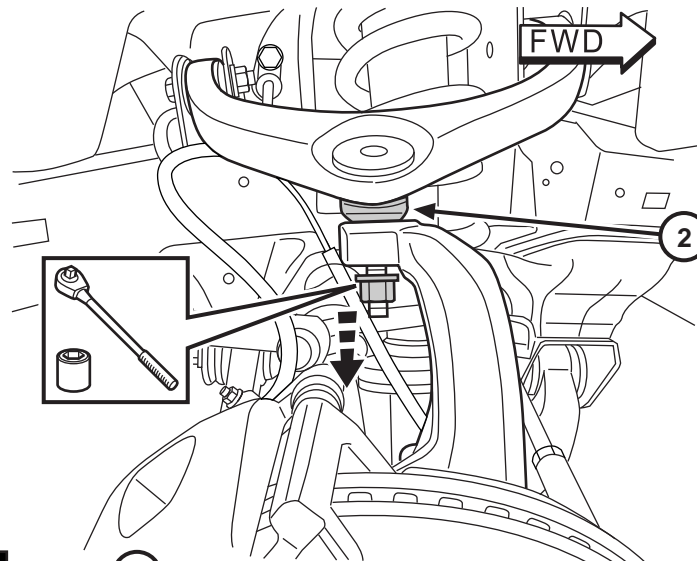
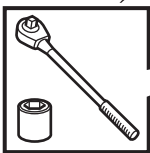
3



4

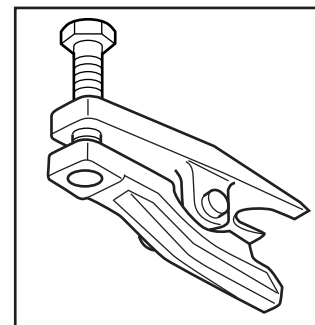
LOOSEN TIE ROD, DO NOT REMOVE

FWD



2

LOOSEN UPPER BALL JOINT

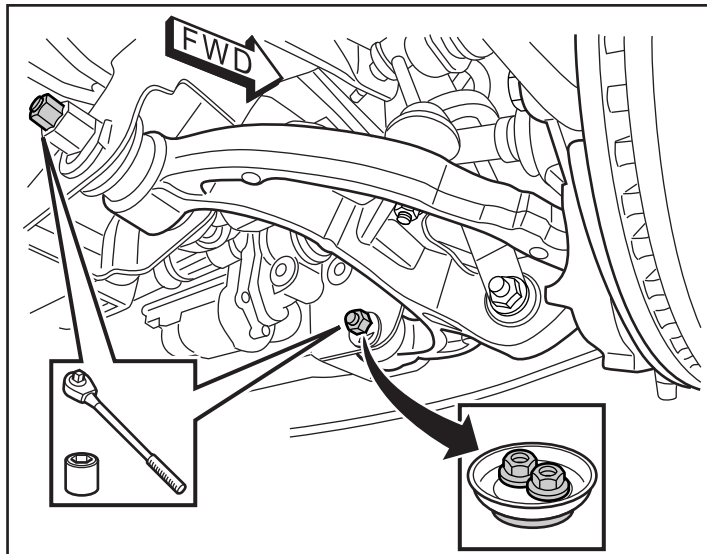


SEPARATOR TOOL
RECOMMENDED

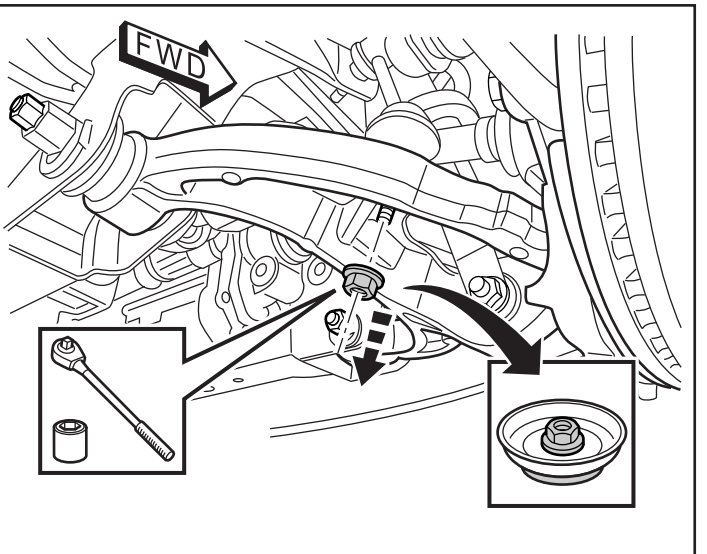
5

1

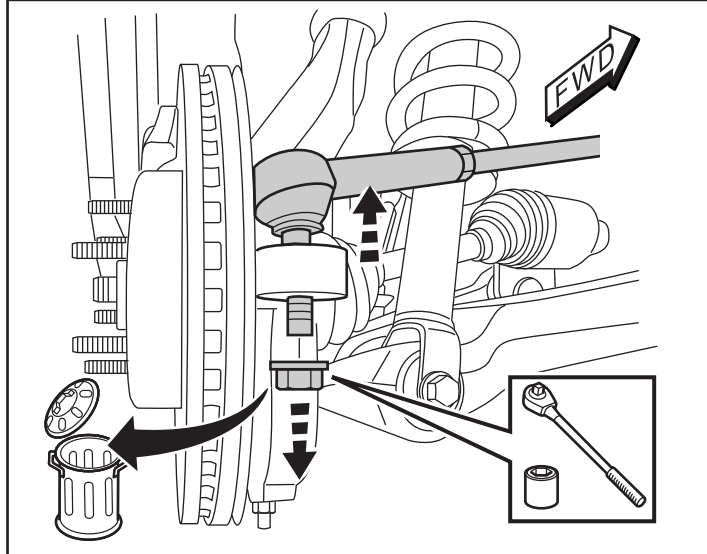
LOOSEN UPPER ARM NUT



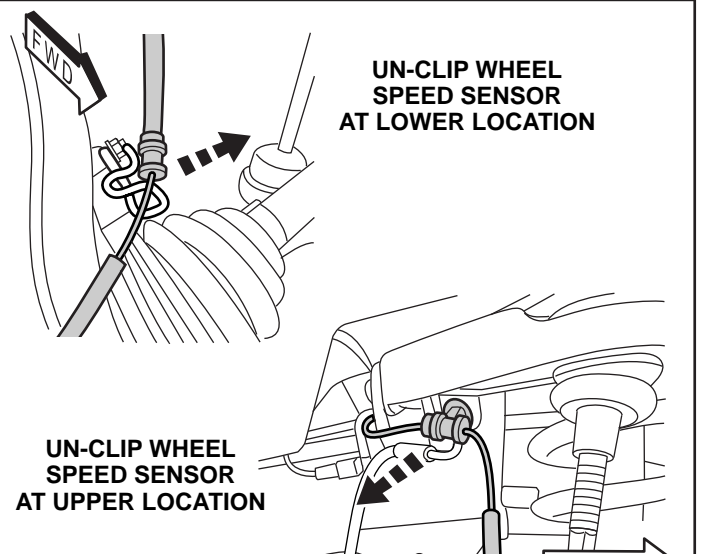
6 REMOVE (2) LOWER ARM BOLTS AND RETAIN FOR REINSTALLATION



7 REMOVE LOWER STABILIZER LINK NUT AND RETAIN FOR REINSTALLATION



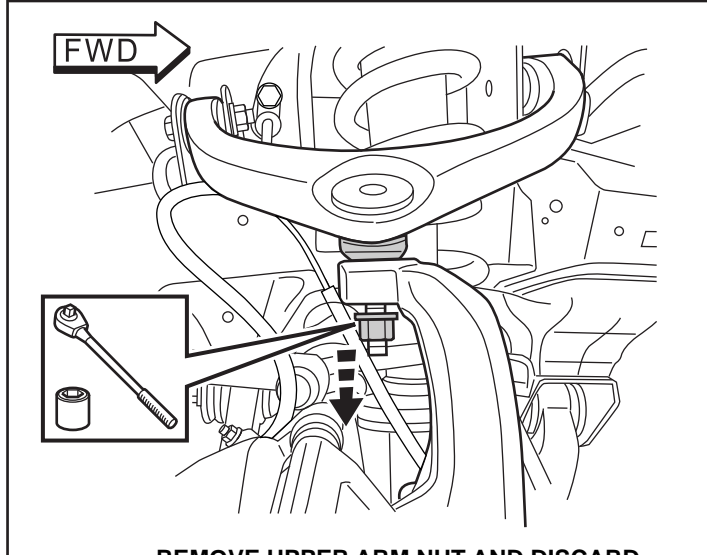
8 FULLY REMOVE TIE ROD



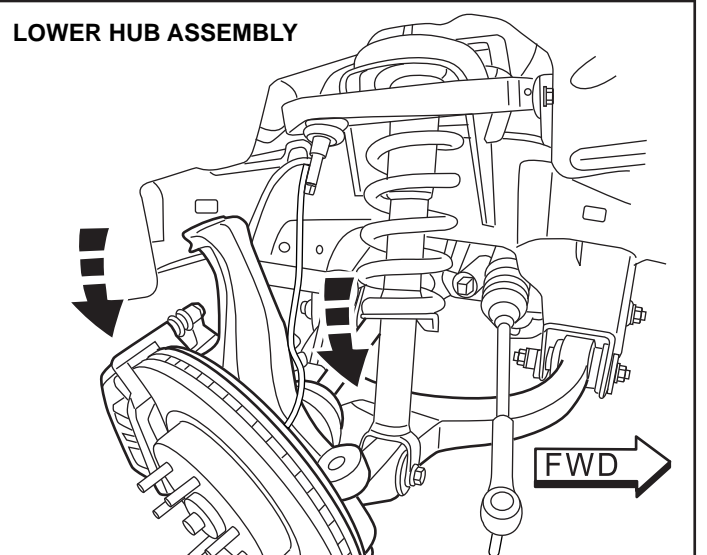
UN-CLIP WHEEL SPEED SENSOR AT LOWER LOCATION

UN-CLIP WHEEL SPEED SENSOR AT UPPER LOCATION

FWD



10 REMOVE UPPER ARM NUT AND DISCARD



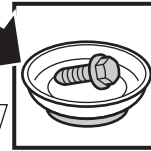
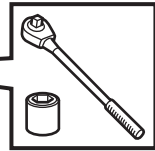
LOWER HUB ASSEMBLY

FWD

11

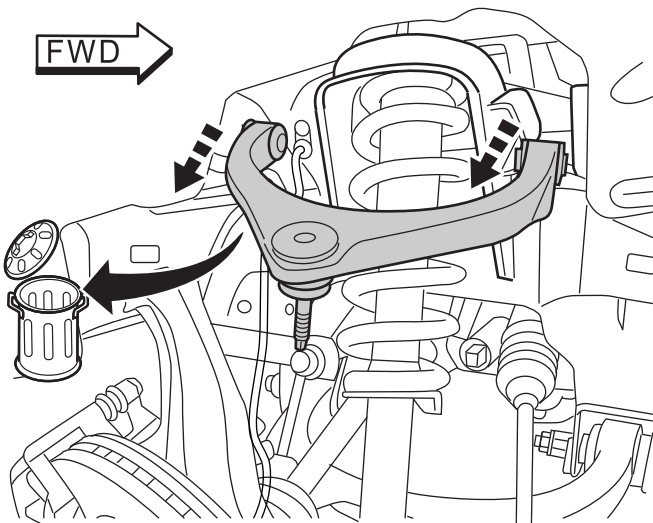
REMOVE UPPER CONTROL ARM BOLTS

FWD →



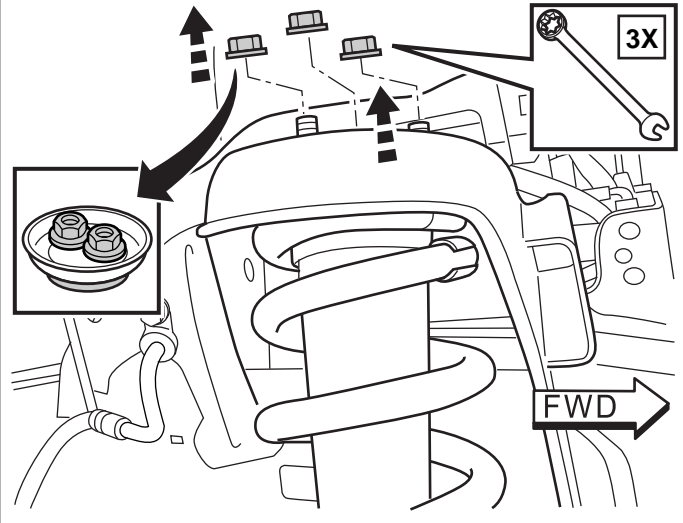
12

FWD →



13

REMOVE UPPER CONTROL ARM

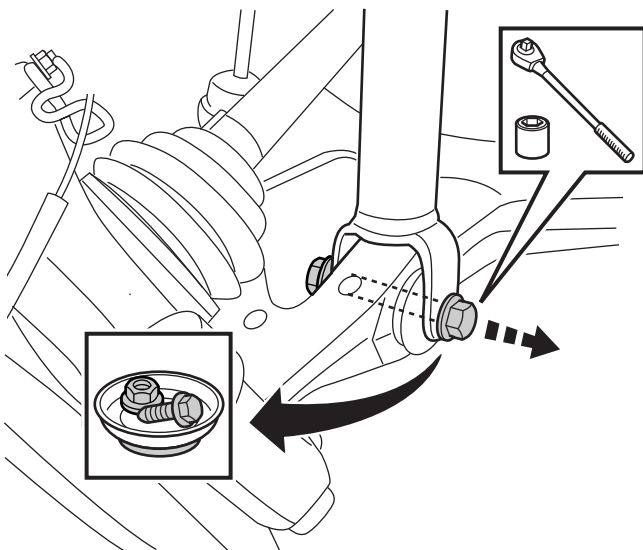


3X

FWD →

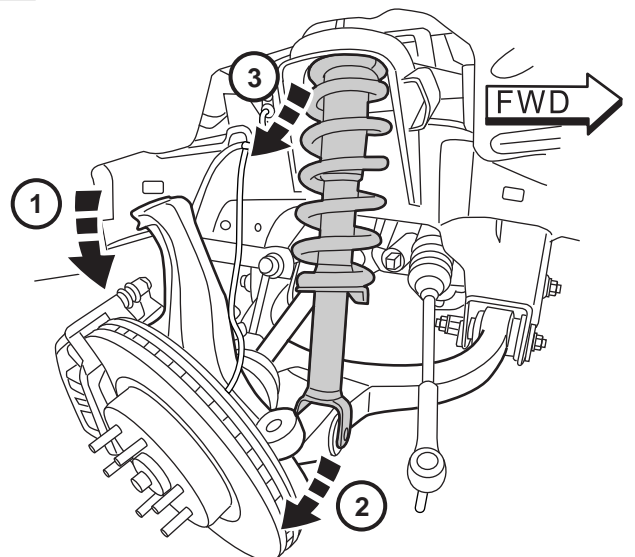
14

REMOVE (3) NUTS AT TOP OF STRUT AND RETAIN FOR REINSTALLATION



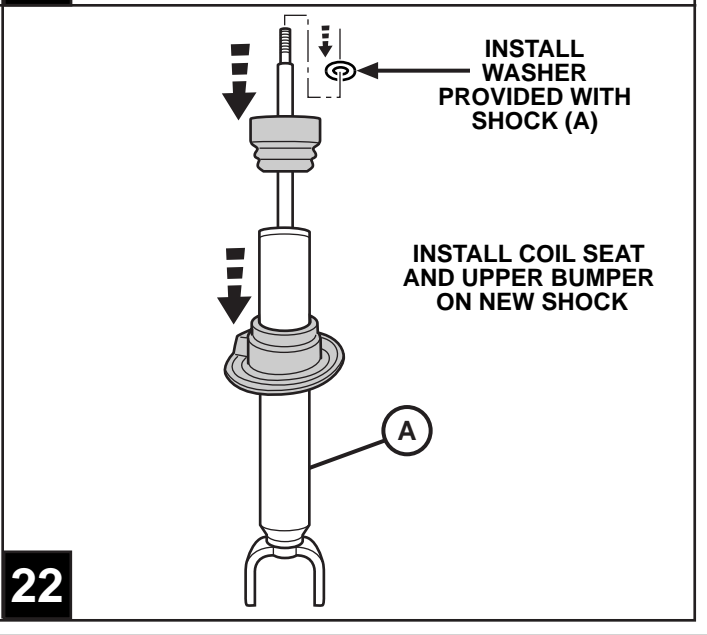
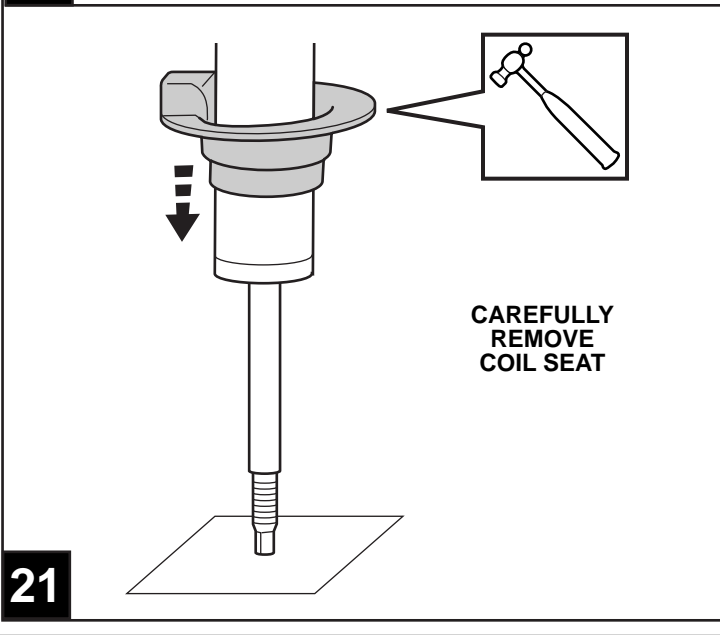
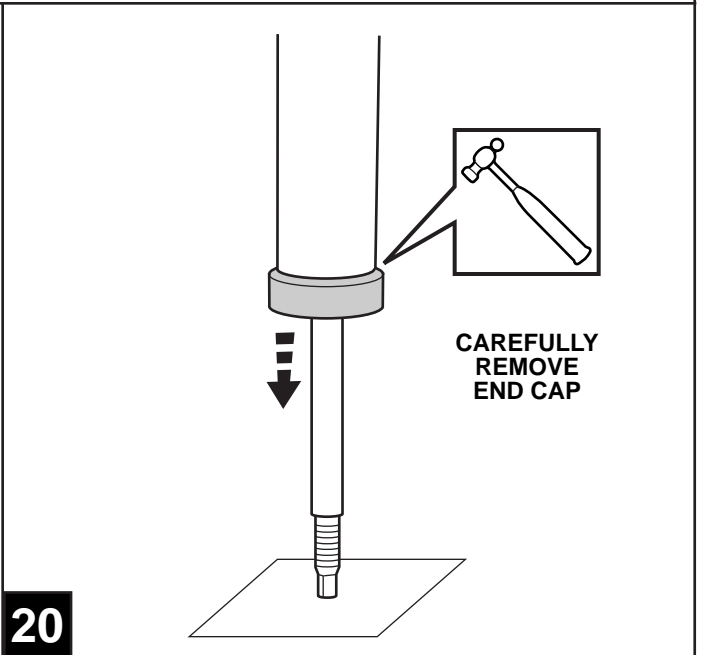
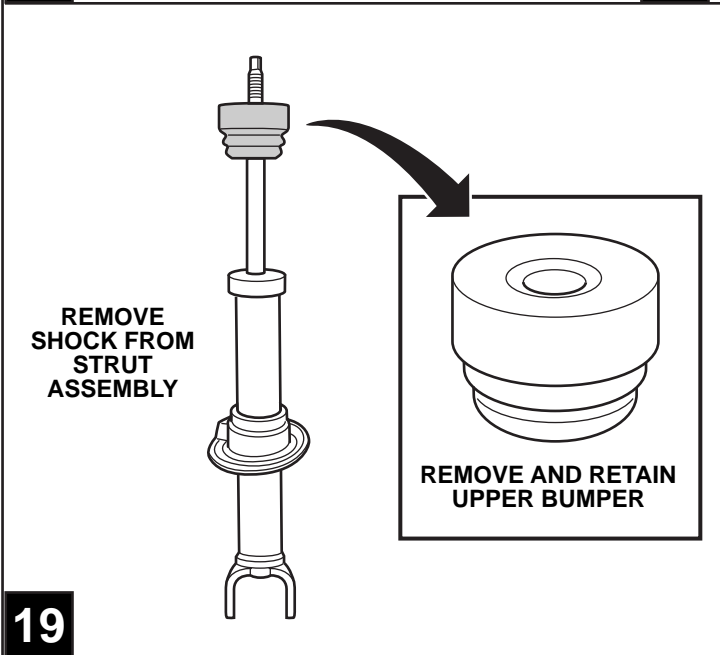
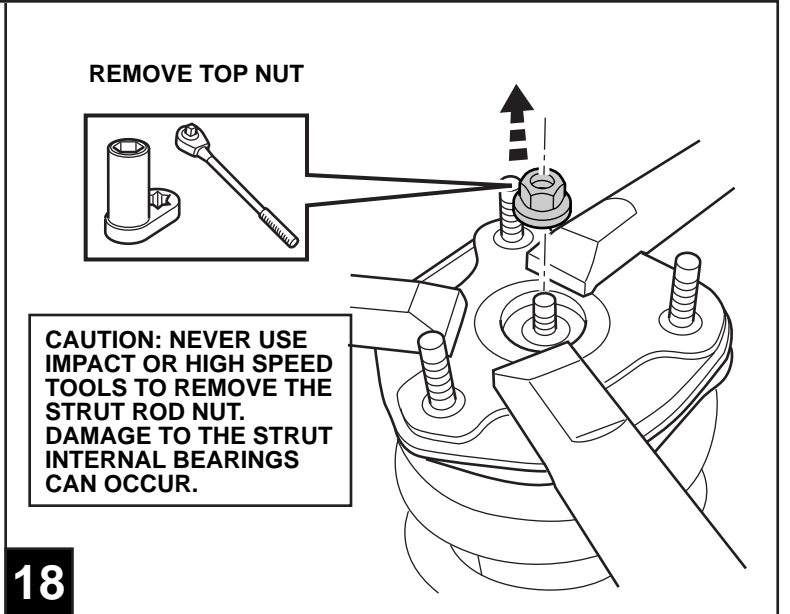
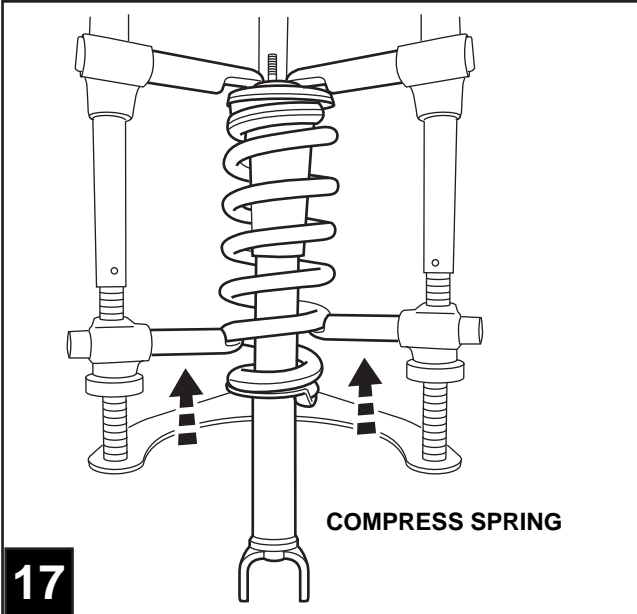
15

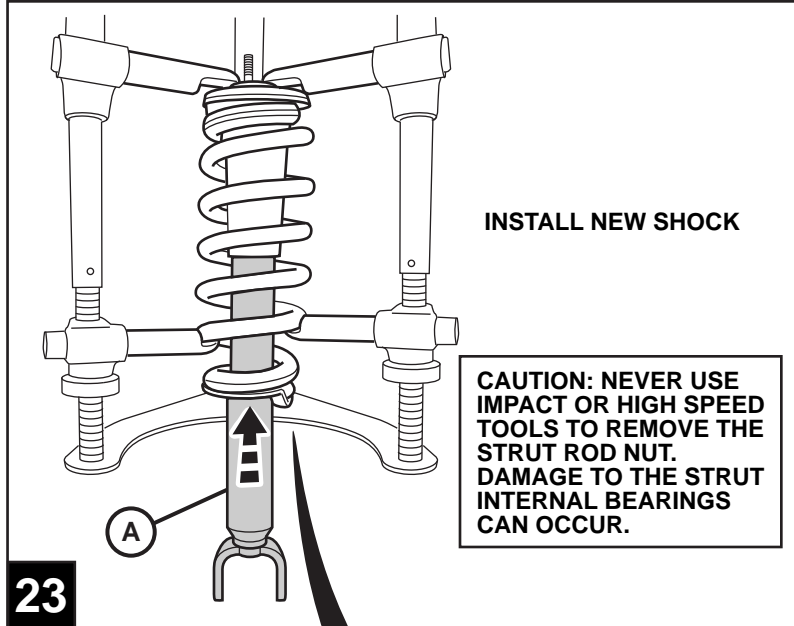
REMOVE FASTENERS AT BOTTOM OF STRUT AND RETAIN FOR REINSTALLATION



16

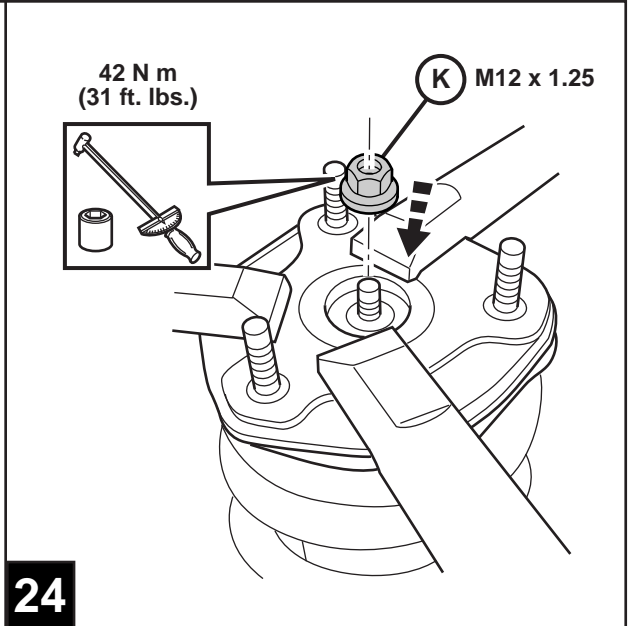
REMOVE SHOCK ASSEMBLY FROM VEHICLE



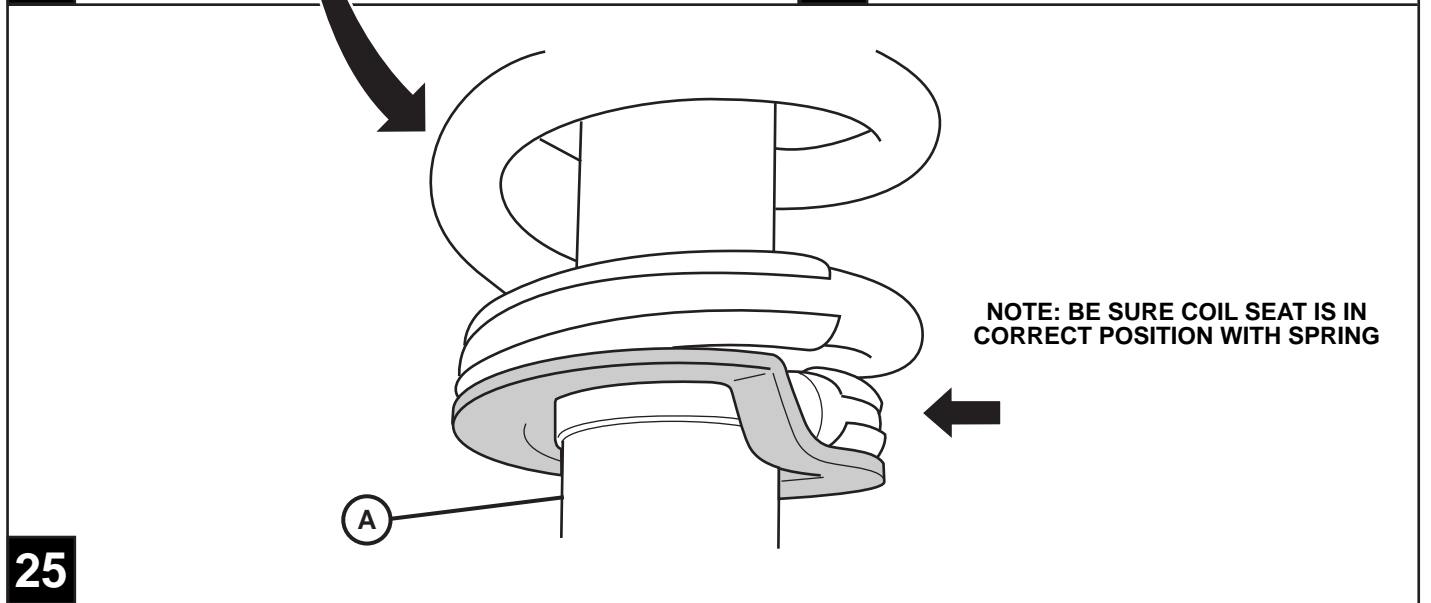


23

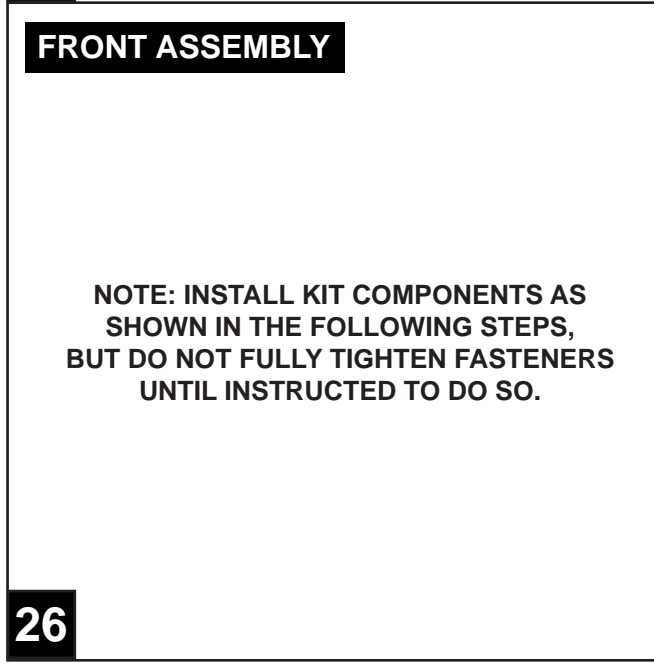
CAUTION: NEVER USE IMPACT OR HIGH SPEED TOOLS TO REMOVE THE STRUT ROD NUT. DAMAGE TO THE STRUT INTERNAL BEARINGS CAN OCCUR.



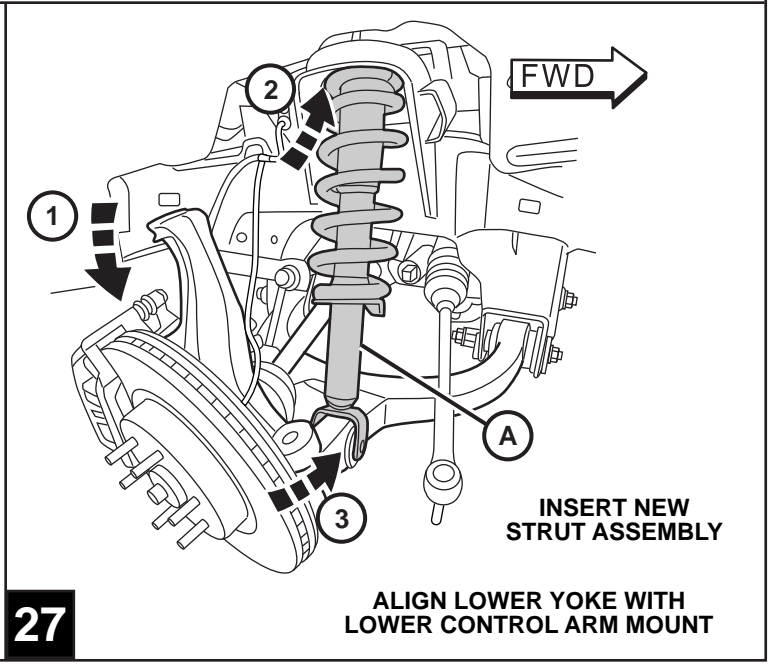
24



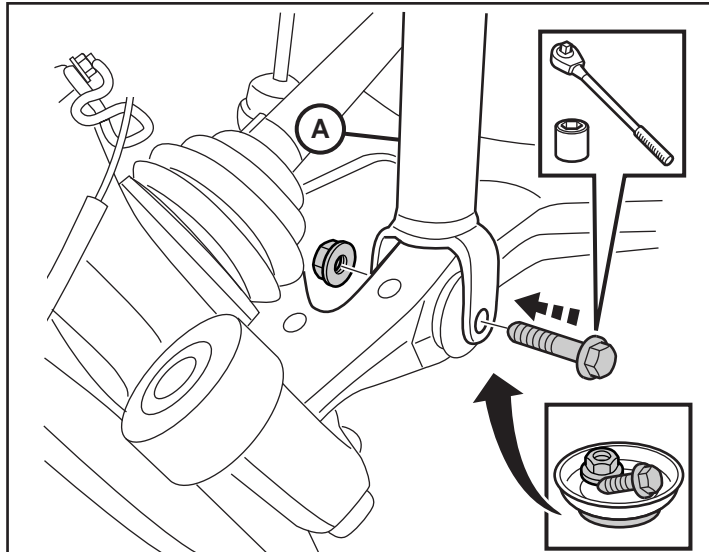
25



26

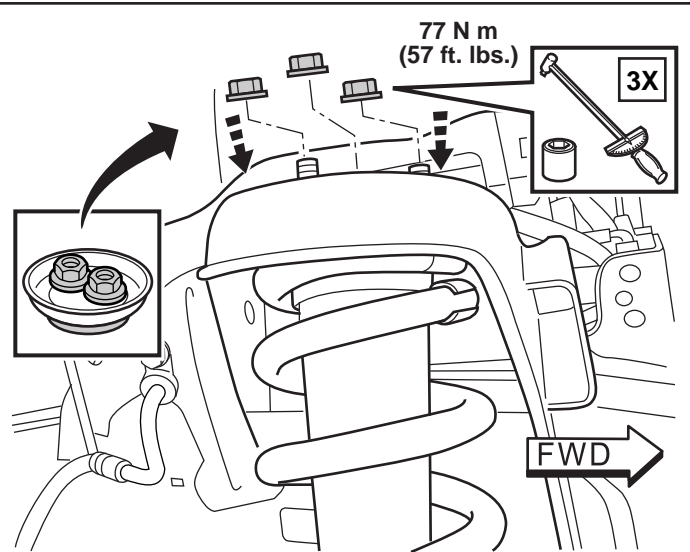


27



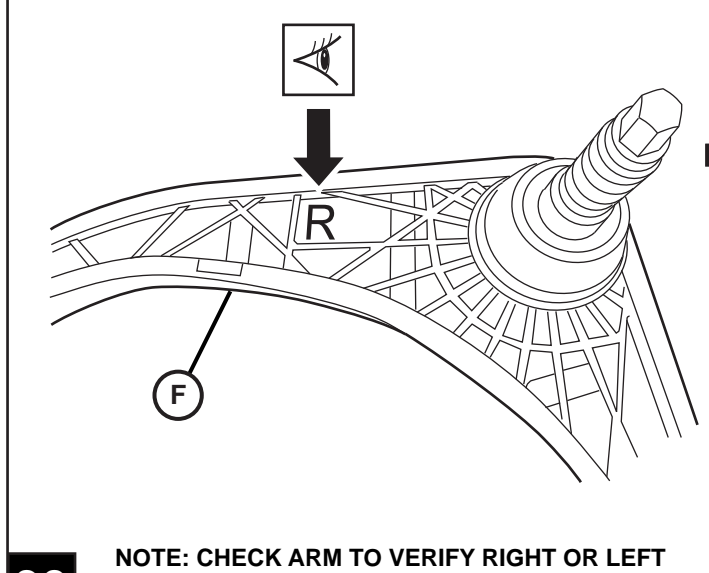
28

REINSTALL FASTENERS AT BOTTOM OF STRUT



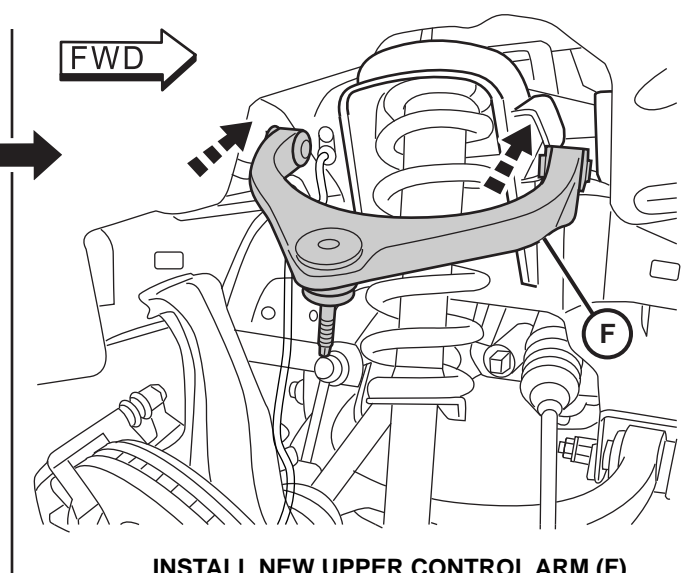
29

REINSTALL (3) NUTS AT TOP OF STRUT

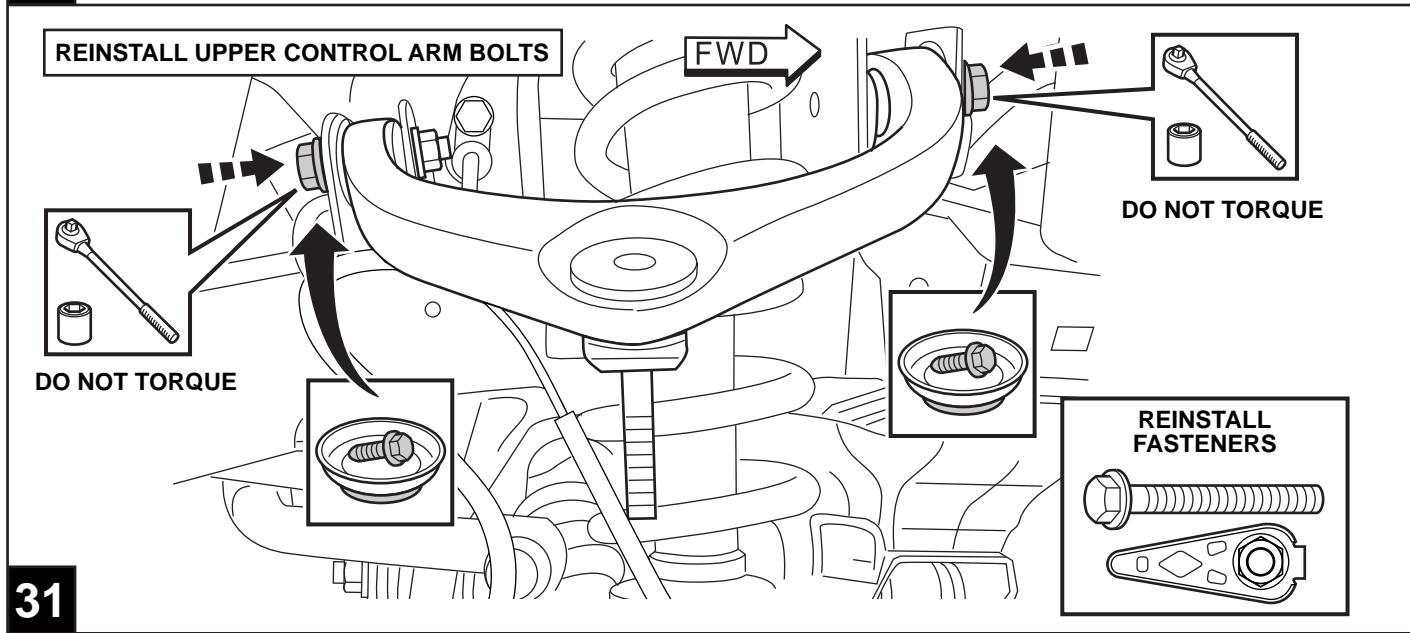


30

NOTE: CHECK ARM TO VERIFY RIGHT OR LEFT

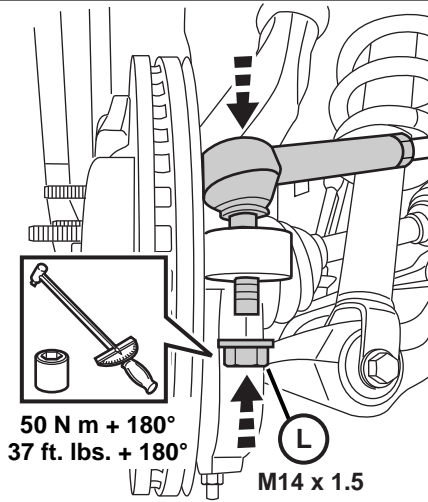


INSTALL NEW UPPER CONTROL ARM (F)

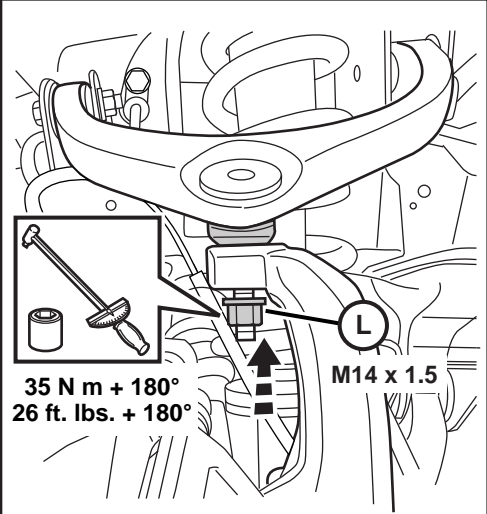


31

REVERSE STEPS 3 THROUGH 10 TO REASSEMBLE VEHICLE COMPONENTS



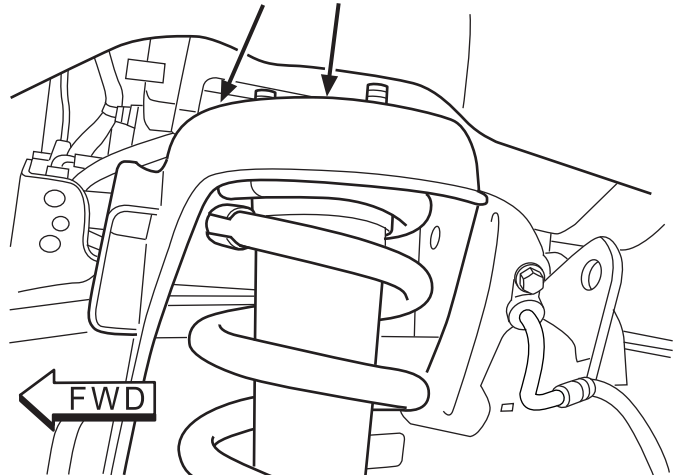
33 NOTE: USE NEW NUT (L) FOR STEP 8 REASSEMBLY



34 NOTE: USE NEW NUT (L) FOR STEP 5 REASSEMBLY

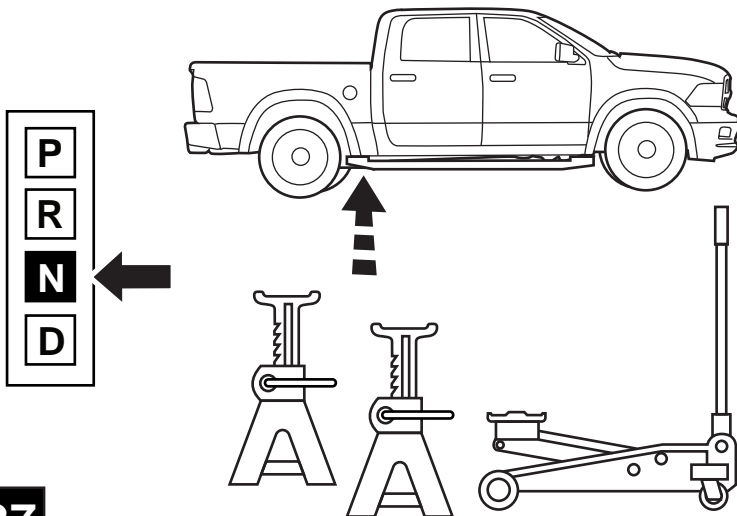
REPEAT STEPS 3 THROUGH 32 ON OPPOSITE SIDE OF VEHICLE

NOTE: EXTRA HARNESS CLIPS MUST BE DISCONNECTED ON DRIVER SIDE

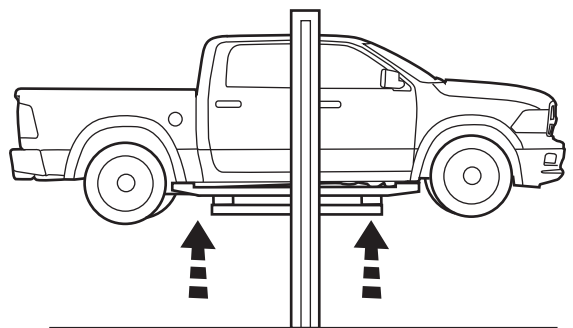


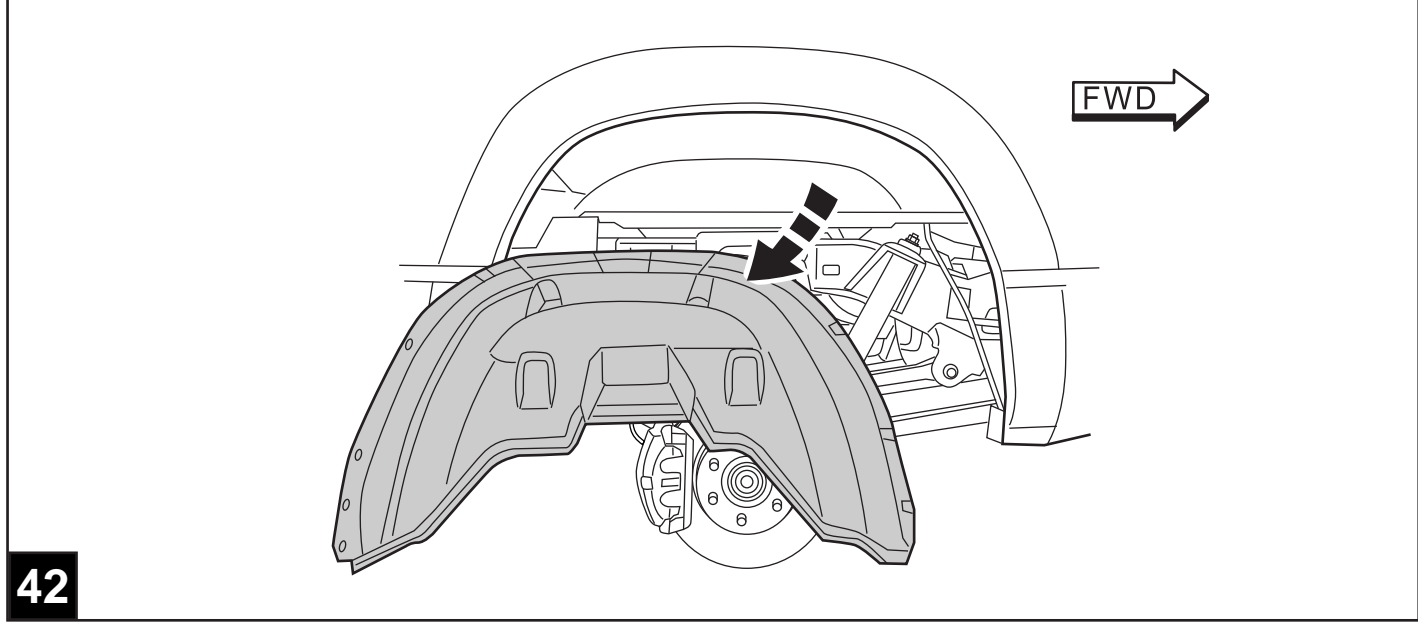
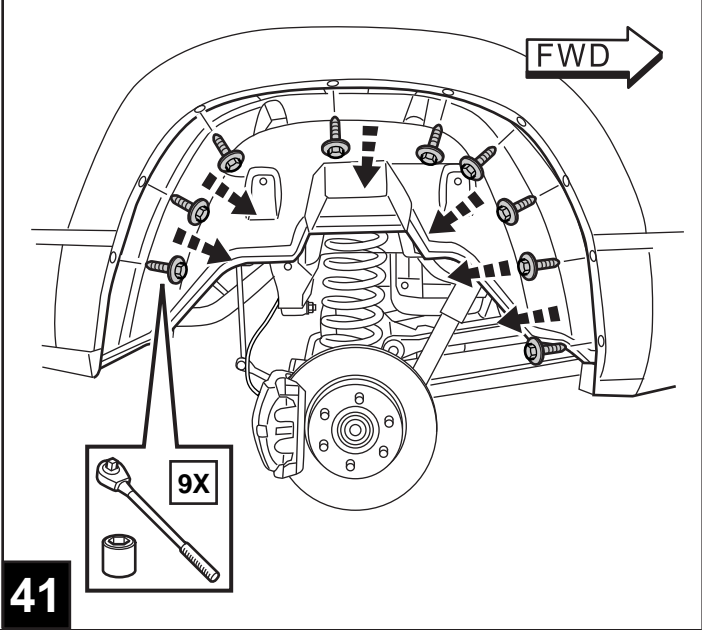
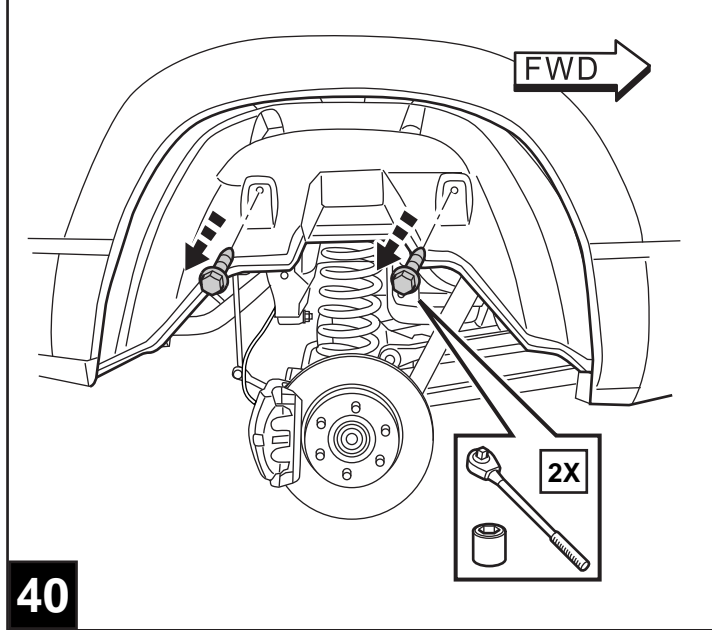
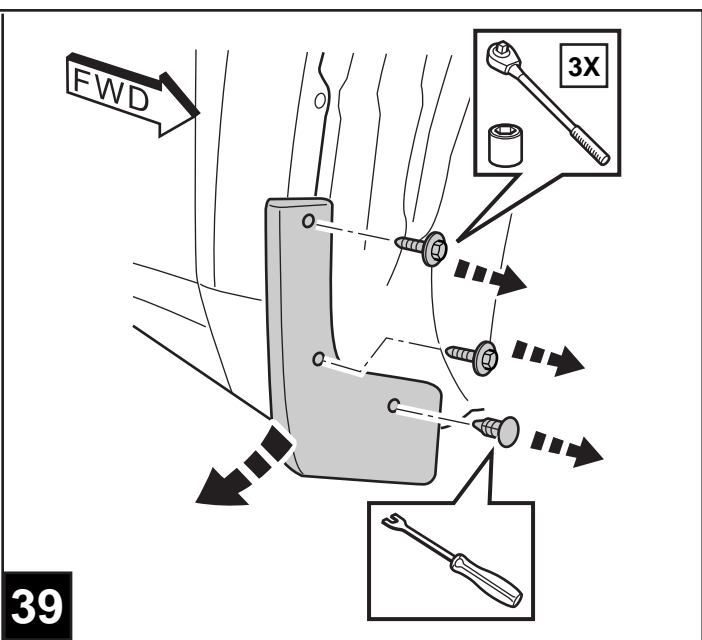
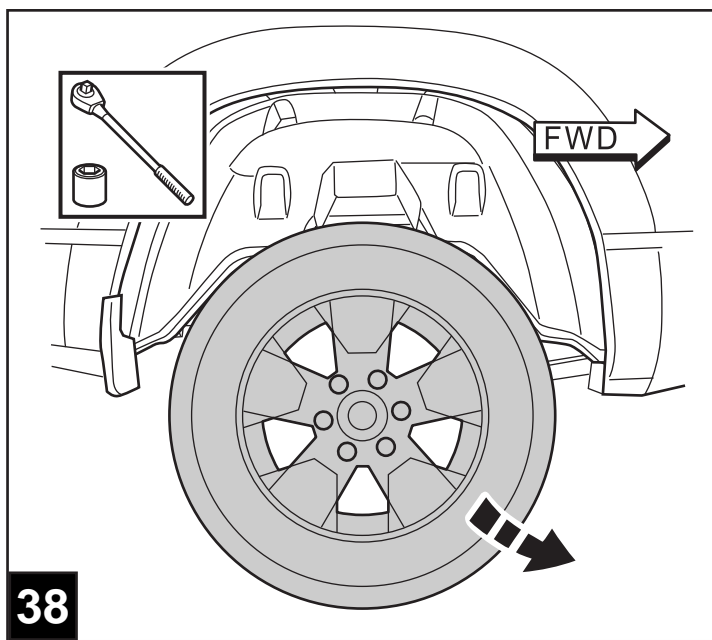
36

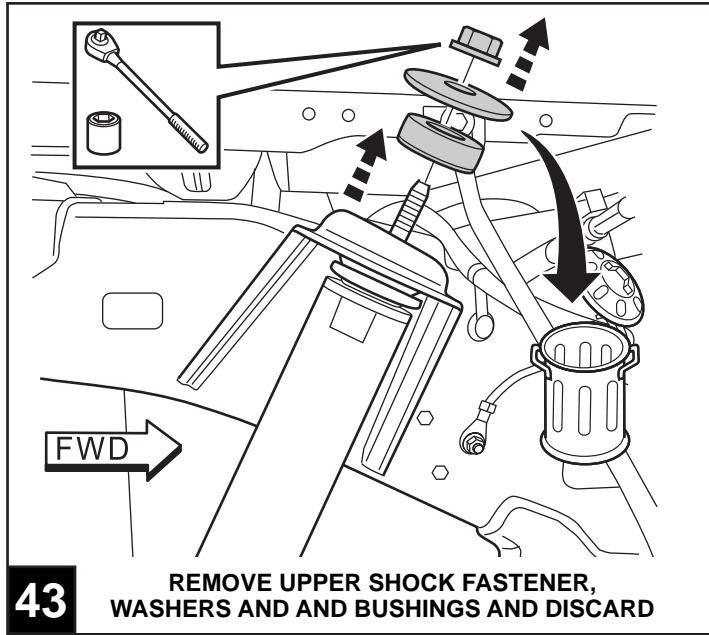
REAR DISASSEMBLY



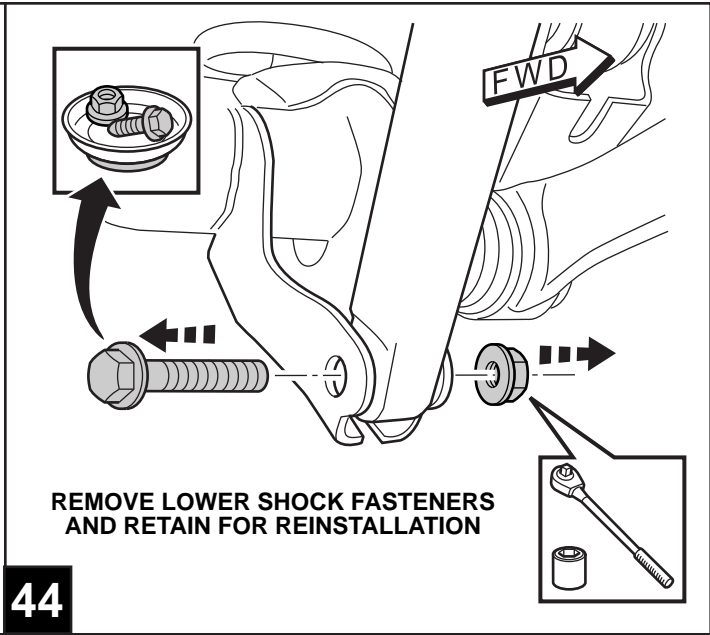
37



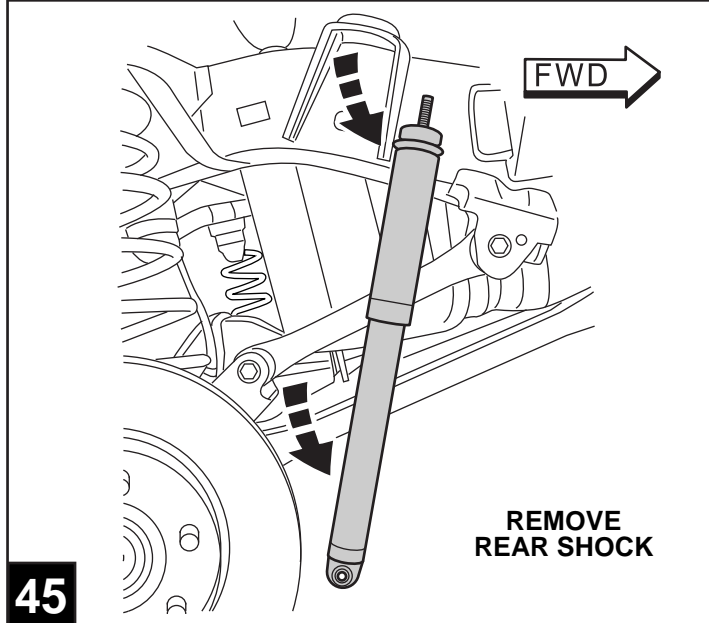




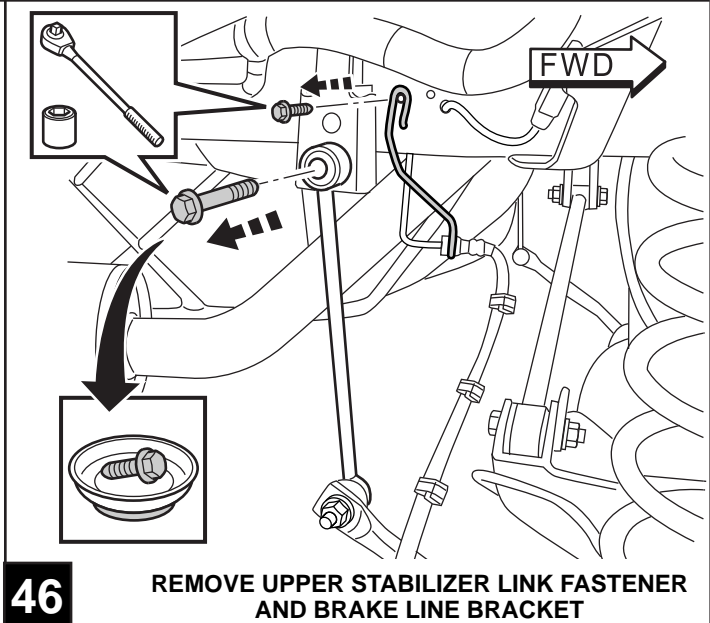
43 REMOVE UPPER SHOCK FASTENER, WASHERS AND AND BUSHINGS AND DISCARD



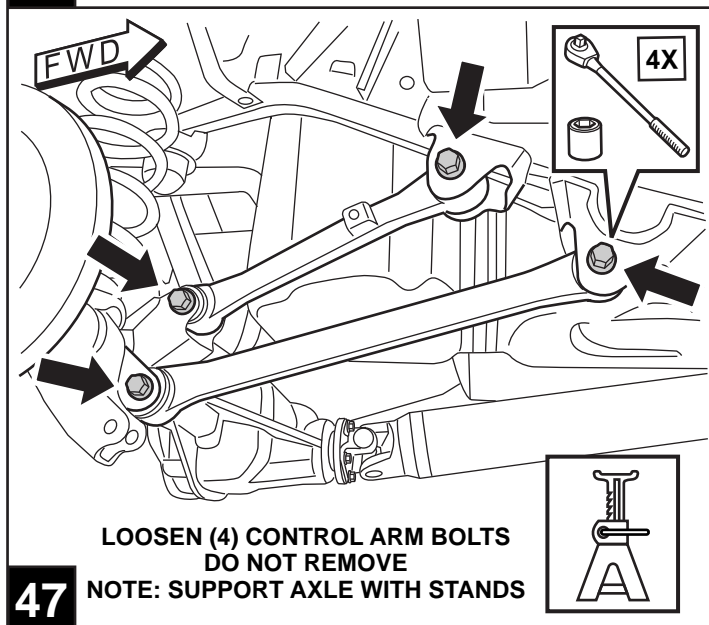
44 REMOVE LOWER SHOCK FASTENERS AND RETAIN FOR REINSTALLATION



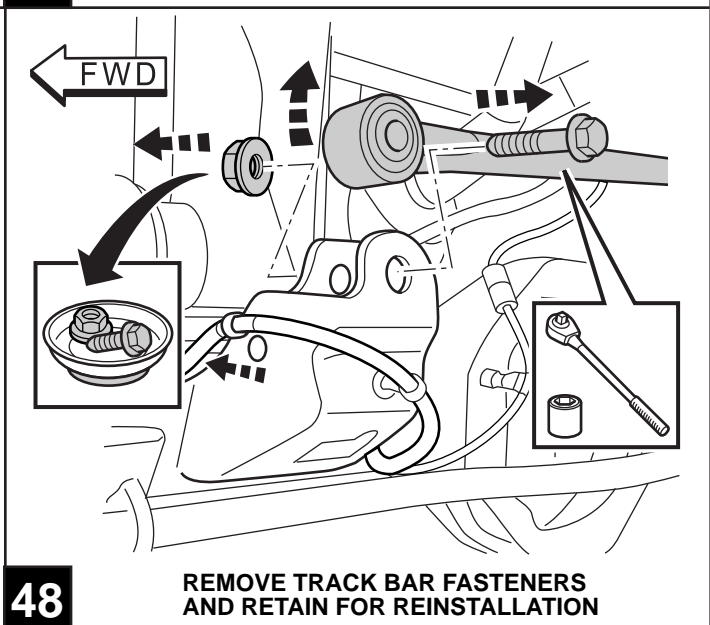
45 REMOVE REAR SHOCK



46 REMOVE UPPER STABILIZER LINK FASTENER AND BRAKE LINE BRACKET



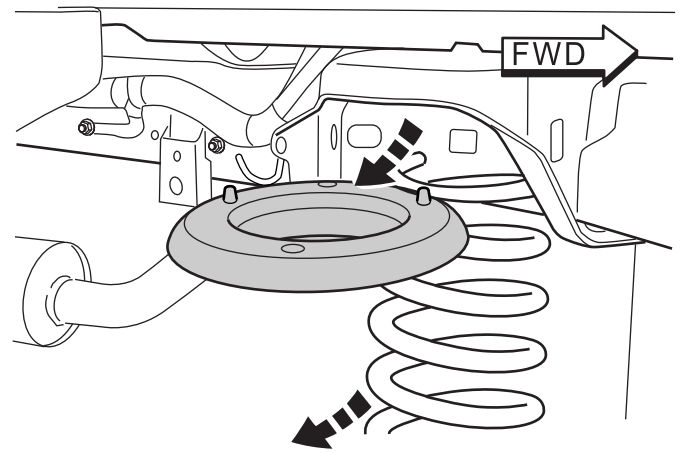
47 LOOSEN (4) CONTROL ARM BOLTS DO NOT REMOVE
NOTE: SUPPORT AXLE WITH STANDS



48 REMOVE TRACK BAR FASTENERS AND RETAIN FOR REINSTALLATION

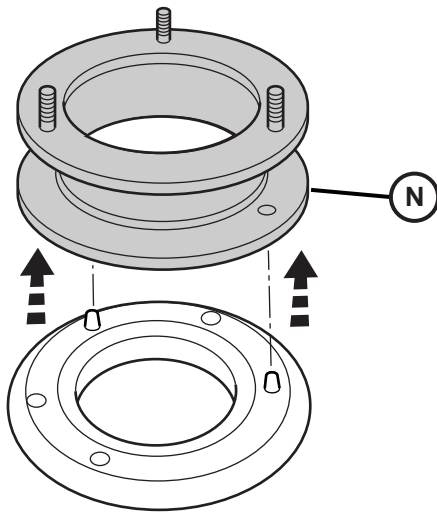
REPEAT STEPS 38 THROUGH 47
ON OPPOSITE SIDE OF VEHICLE

49



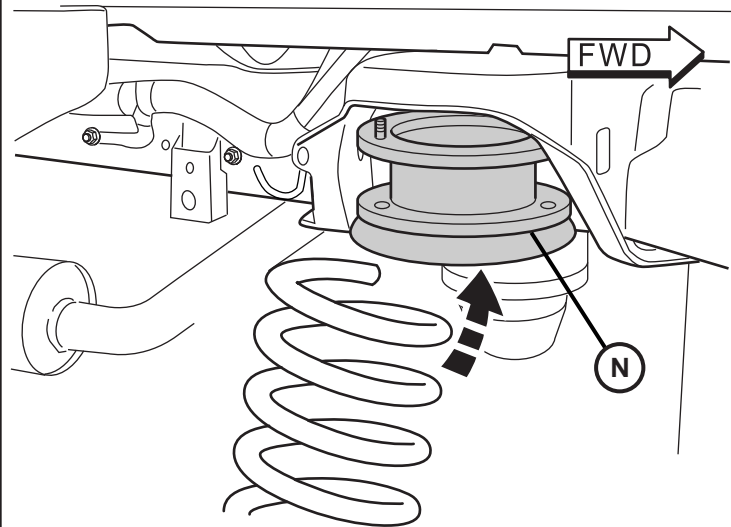
REMOVE AND RETAIN RUBBER COLLAR
AT TOP OF SPRING. REMOVE SPRING.

50



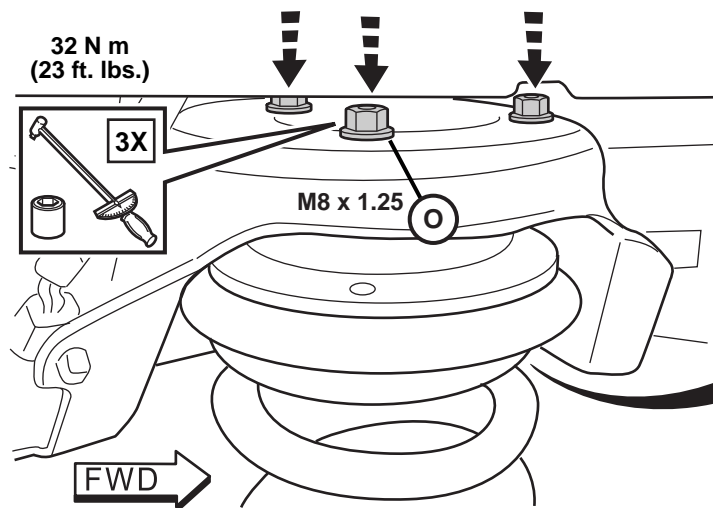
FIT RUBBER COLLAR TO NEW SPACER (N).
BE SURE TO ALIGN PINS TO HOLES.

51



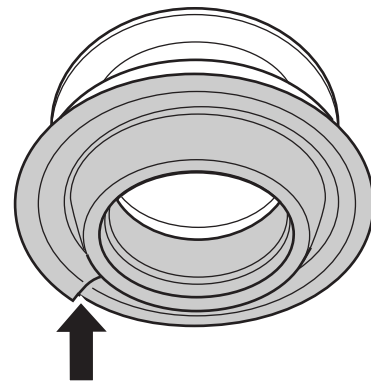
FIT SPACER (H) INTO PLACE.
REINSTALL SPRING.

52



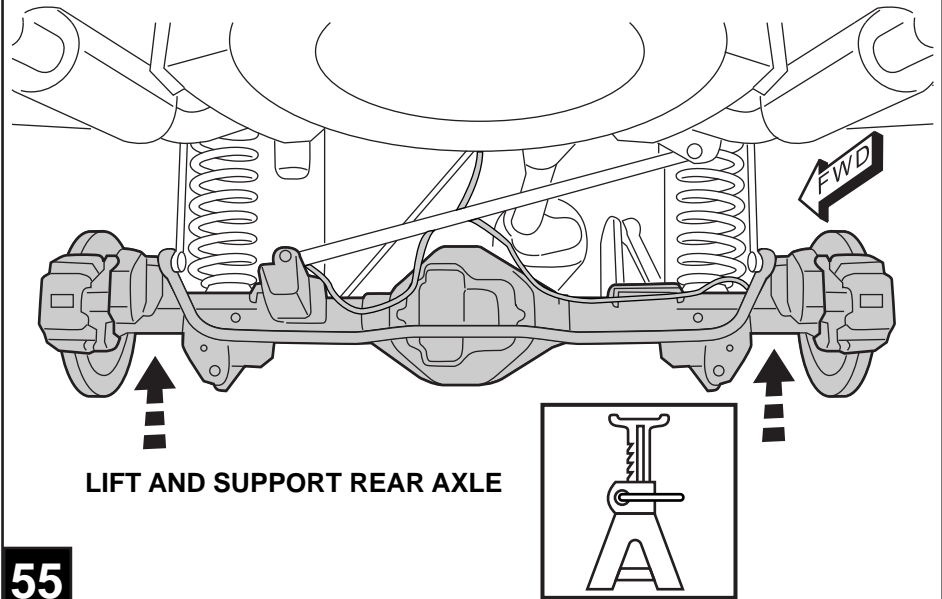
SECURE SPACER (N) WITH NUTS (O)

53



NOTE: BE SURE SPRING IS PROPERLY
ALIGNED WITH RUBBER COLLAR

REPEAT STEPS 48 THROUGH 51 ON OPPOSITE SIDE OF VEHICLE



54

55

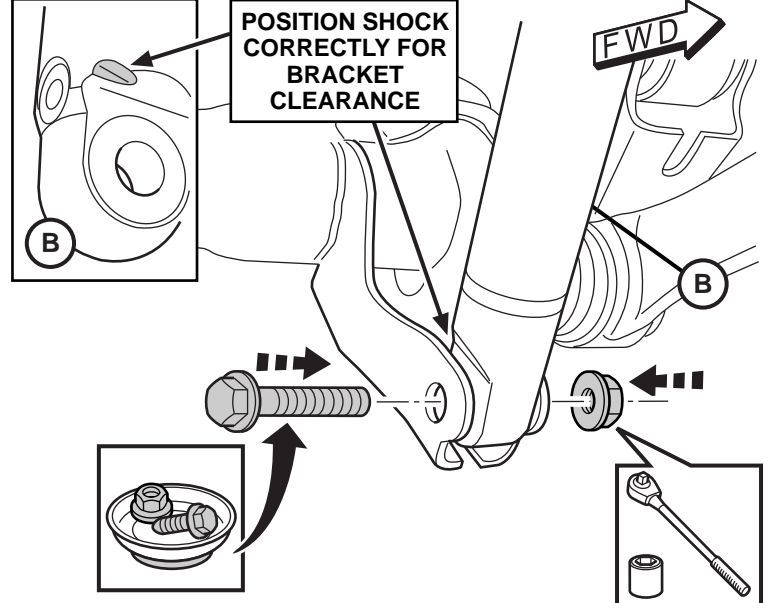
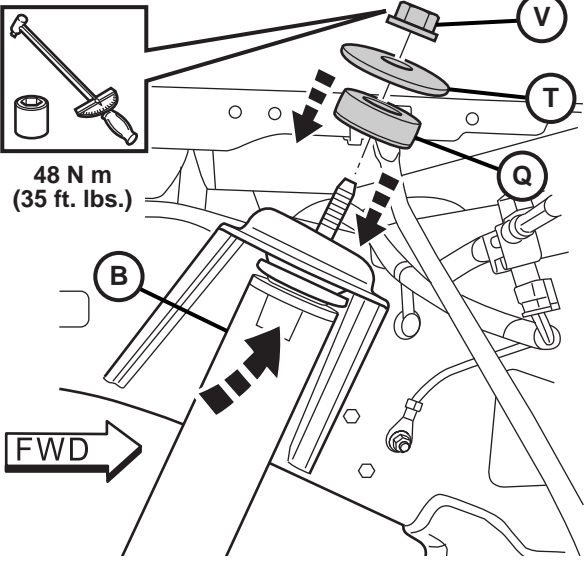
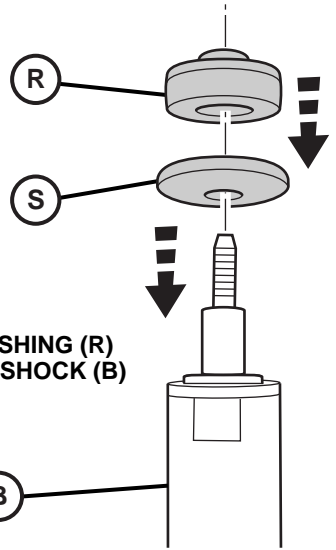
REAR ASSEMBLY

NOTE: INSTALL KIT COMPONENTS AS SHOWN IN THE FOLLOWING STEPS, BUT DO NOT FULLY TIGHTEN FASTENERS UNTIL INSTRUCTED TO DO SO.

INSTALL NEW LOWER BUSHING (R) AND WASHER (S) ON NEW SHOCK (B)

56

57



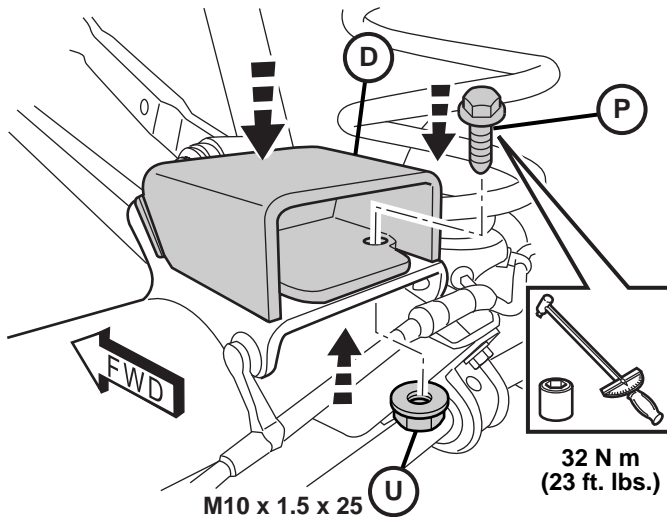
INSTALL NEW SHOCK (B) TOP MOUNT. REINSTALL WASHER (T), BUSHING (Q) AND NUT (V)

INSTALL NEW SHOCK (B) BOTTOM MOUNT

58

59

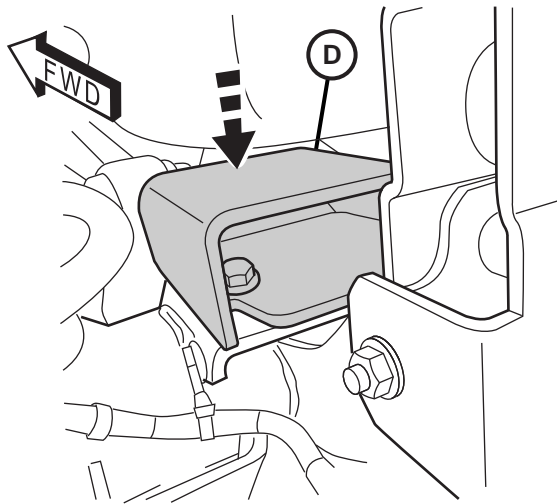
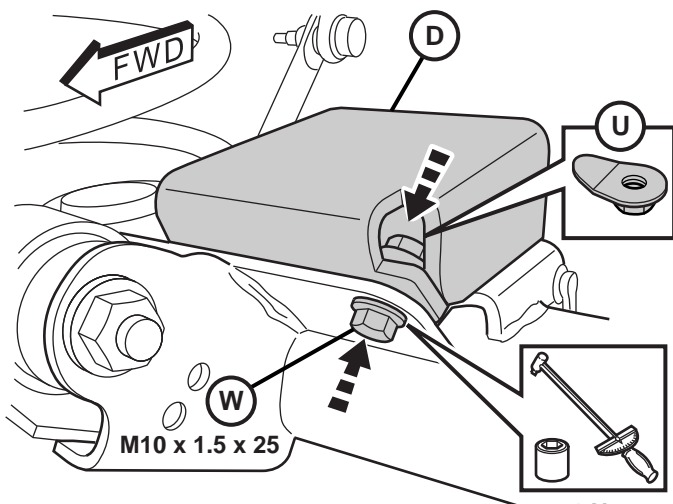
REPEAT STEPS 57 THROUGH 59
ON OPPOSITE SIDE OF VEHICLE



60

61

INSTALL BUMPER PAD (D) WITH
INNER BOLT (P) AND NUT (U)

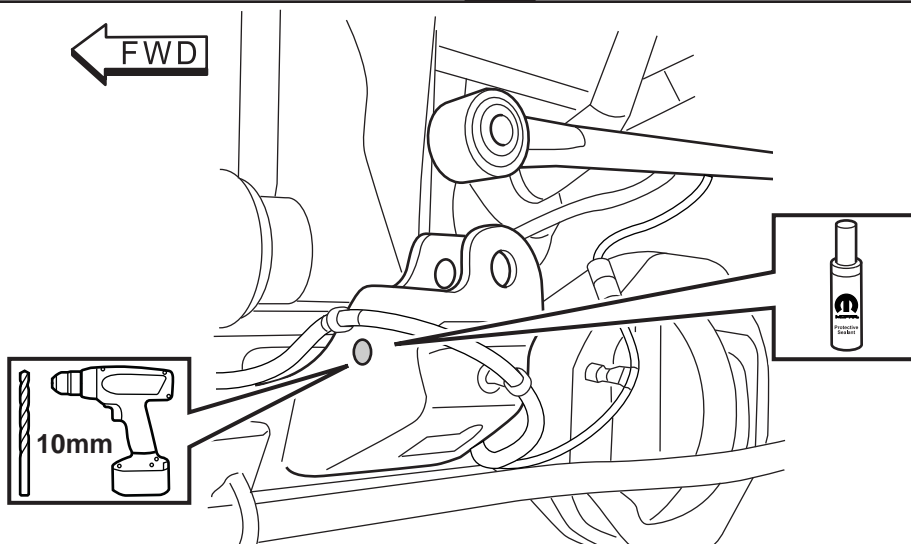


62

63

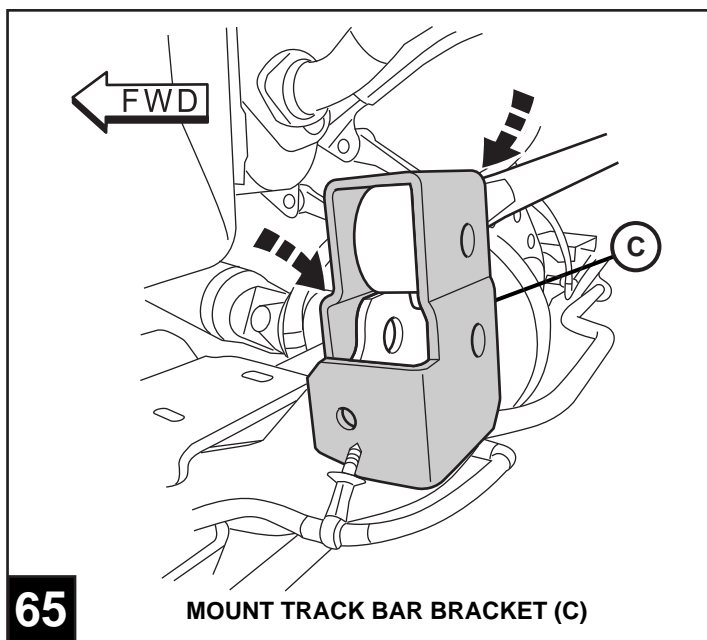
INSTALL FORWARD
BOLT (W) AND NUT (U)

REPEAT STEPS 59 THROUGH 63 ON DRIVER SIDE
WITH BUMPER PAD (D)



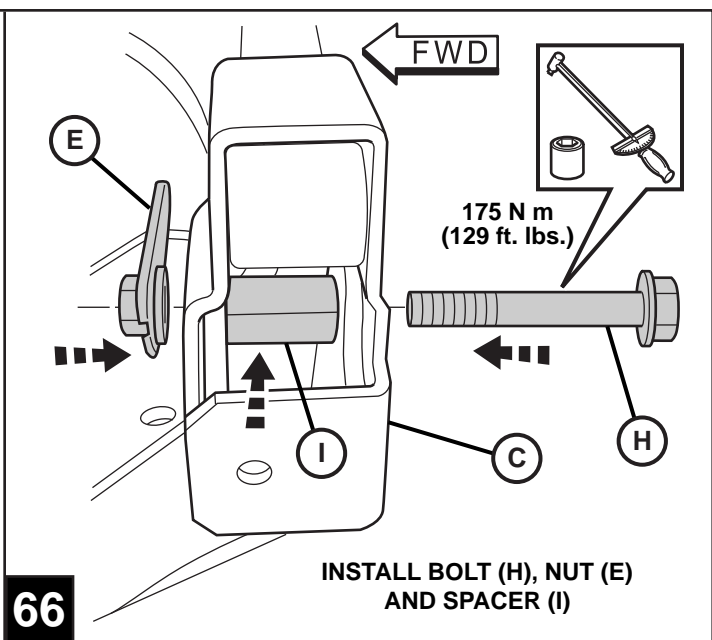
64

ENLARGE HOLE WHERE CLIP WAS LOCATED.
DE-BURR AND TREAT HOLE WITH RUST PREVENTER.



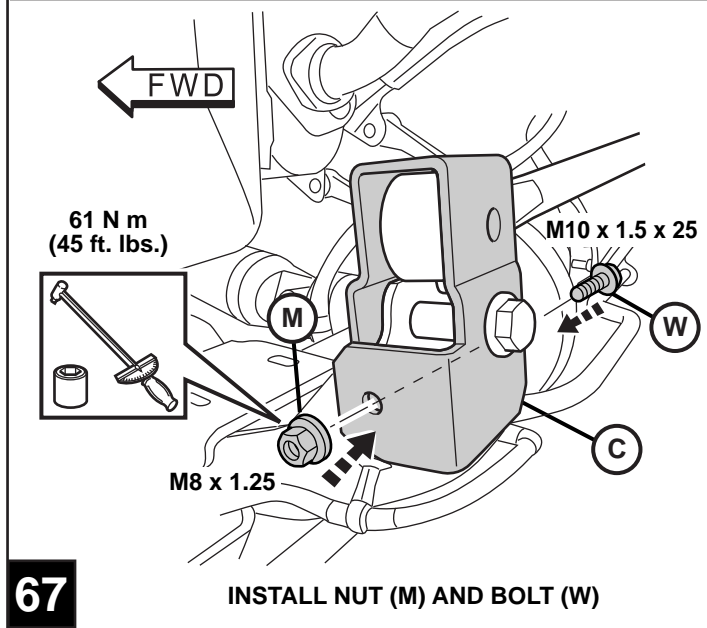
65

MOUNT TRACK BAR BRACKET (C)



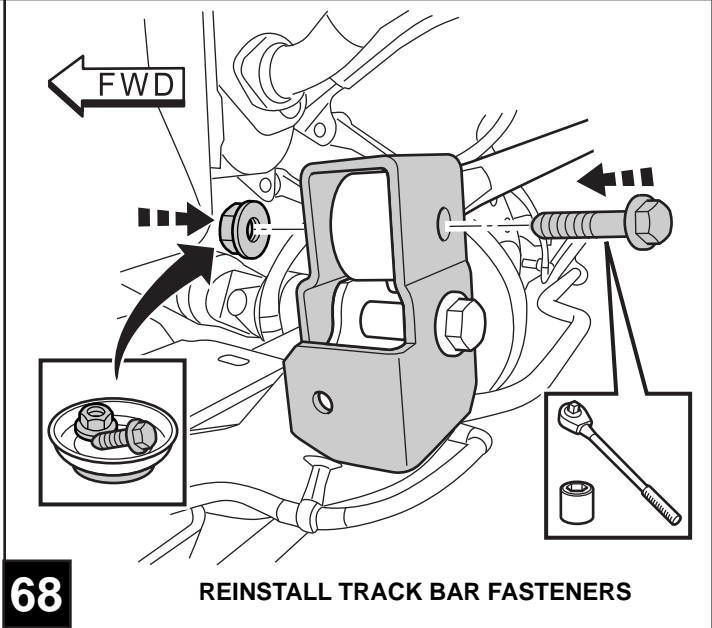
66

INSTALL BOLT (H), NUT (E) AND SPACER (I)



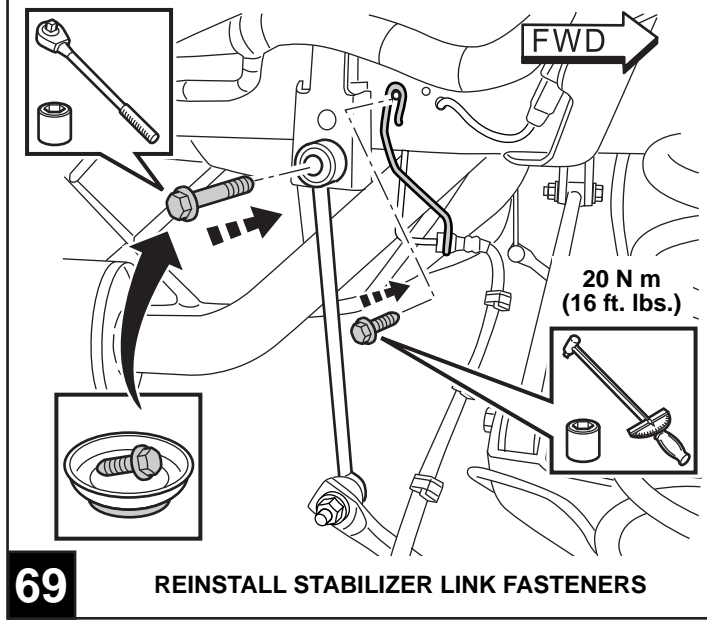
67

INSTALL NUT (M) AND BOLT (W)



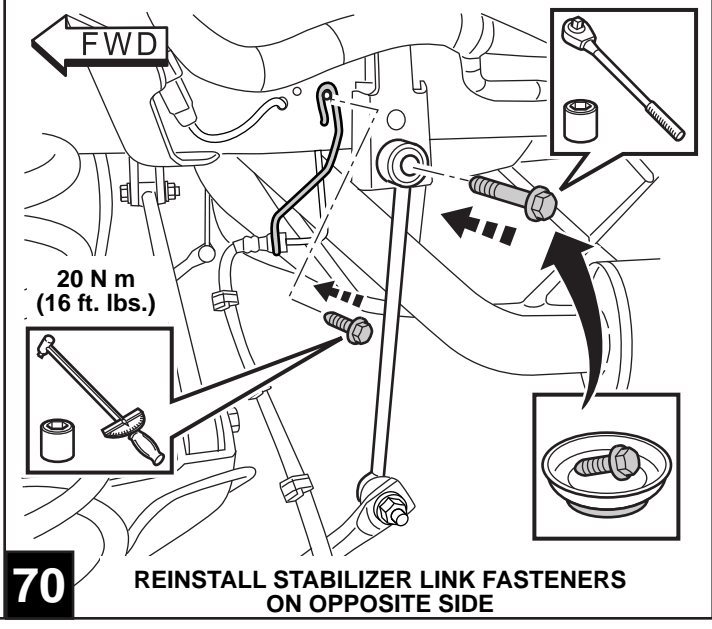
68

REINSTALL TRACK BAR FASTENERS



69

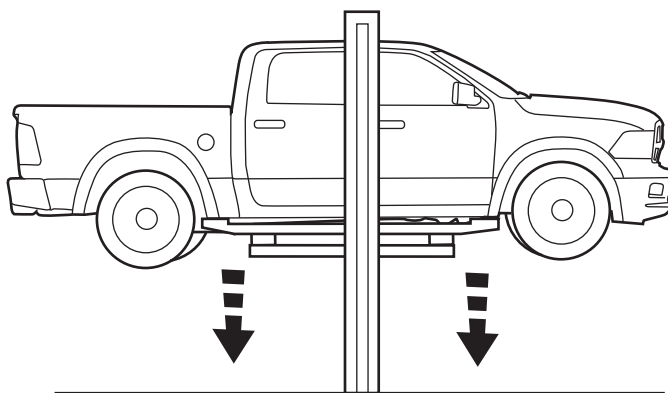
REINSTALL STABILIZER LINK FASTENERS



70

REINSTALL STABILIZER LINK FASTENERS ON OPPOSITE SIDE

**REVERSE STEPS 38 THROUGH 42
TO REINSTALL ALL VEHICLE COMPONENTS**

71**72**

**REFER TO SPECIFICATIONS ON THE FOLLOWING PAGES
TO COMPLETE THESE INSTALLATION STEPS:**

- 1) TORQUE VALUES**
- 2) WHEEL ALIGNMENT**
- 3) HEADLAMP ADJUSTMENT**

**IMPORTANT: DO NOT APPLY FINAL TORQUE SPECIFICATIONS
UNTIL VEHICLE IS ON THE GROUND**

73

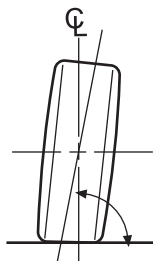
LIFT KIT TORQUE SPECIFICATIONS

PART DESCRIPTION	TORQUE N•m	TORQUE Ft. Lbs.
FRONT LOWER CONTROL ARM NUTS	100 + 145°	74 + 145°
FRONT STRUT ROD NUT	42	31
FRONT SHOCK ABSORBER LOWER BOLT	168	124
FRONT SHOCK ABSORBER UPPER NUT	77	57
FRONT STABILIZER BAR LINK LOWER NUT	100	74
FRONT UPPER CONTROL ARM BOLTS	176	130
FRONT UPPER BALL JOINT NUT - M14 x 1.5	35 + 180°	26 + 180°
FRONT TIE ROD END TO KNUCKLE NUT - M14 x 1.5	50 + 180°	37 + 180°
REAR SHOCK ABSORBER LOWER BOLT	140	103
REAR SHOCK ABSORBER UPPER BOLT	48	35
REAR STABILIZER BAR LINK UPPER BOLT	85	63
REAR UPPER CONTROL ARM FRONT BOLT	200 + 90°	148 + 90°
REAR UPPER CONTROL ARM REAR NUT	200 + 90°	148 + 90°
REAR LOWER CONTROL ARM REAR NUT	200 + 90°	148 + 90°
REAR LOWER CONTROL ARM FRONT BOLT	200 + 90°	148 + 90°
REAR BRAKE HOSE BRACKET BOLT	20	16
TRACK BAR AXLE BOLT TO BRACKET W/SPACER M14 x 1.5 x 90	175	129
TRACK BAR AXLE BOLT TO BRACKET	61	45
REAR BUMPER PAD BOLT - M10 x 1.5 x 25	61	45
REAR BUMPER PAD BOLT - M8 x 1.25 x 21	32	23
REAR SPRING SPACER NUTS - M8 x 1.25	32	23
WHEEL LUG NUTS	176	130

NOTE: IN ANY INSTANCE WHERE A BOLT IS THROUGH A RUBBER BUSHING,
THE BOLT MUST BE TORQUED AT NORMAL RIDE HEIGHT

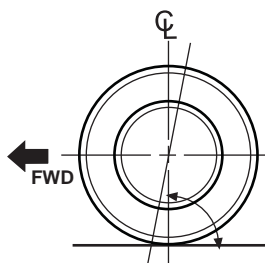
TARGET ALIGNMENT SPECIFICATIONS

LEFT FRONT
CAMBER
 $0.00^\circ \pm 0.65^\circ$



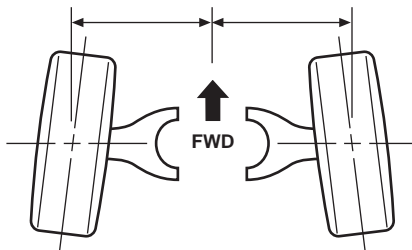
RIGHT FRONT
CAMBER
 $0.00^\circ \pm 0.65^\circ$

CASTER
 $4.50^\circ \pm 0.65^\circ$



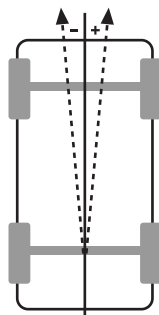
CASTER
 $4.50^\circ \pm 0.65^\circ$

TOE-IN
 $0.10^\circ \pm 0.20^\circ$



TOE-IN
 $0.10^\circ \pm 0.20^\circ$

THRUST ANGLE
 $0.0^\circ - 0.25^\circ$



TOTAL TOE-IN
 $0.10^\circ \pm 0.20^\circ$

