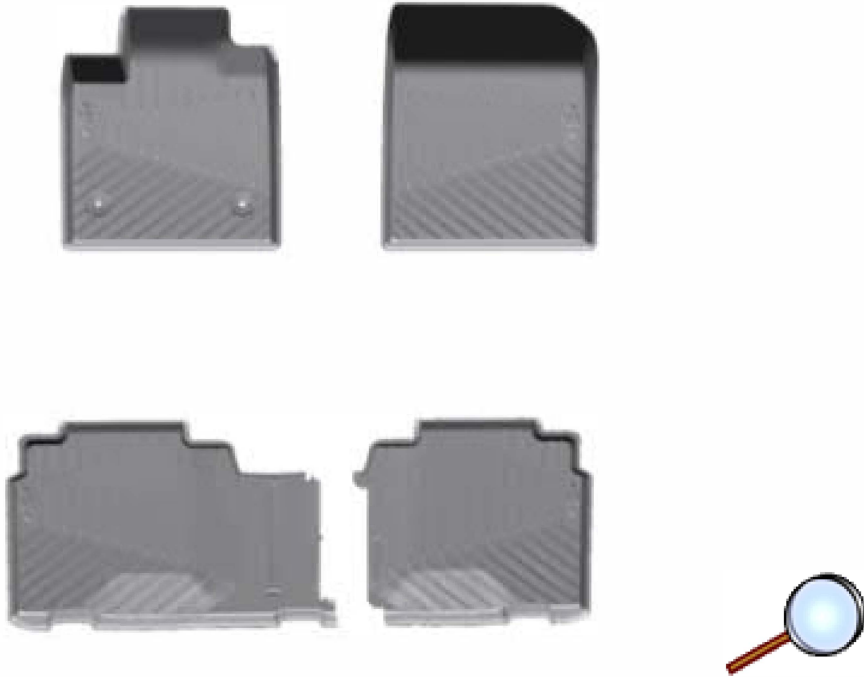


Floor Auxiliary Mat Set Installation

[Installation Instructions Part Number](#)

26390557

Front And Rear Floor Liners



[Front and Rear Floor Liners Procedure](#)

